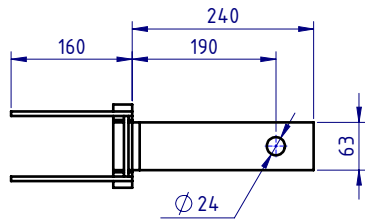
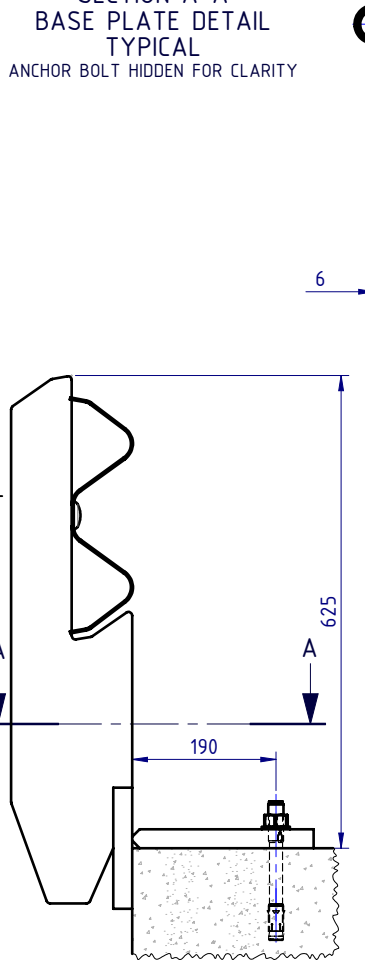


Rhino-Stop has been assessed to exceed the 30kN impact load as described in AS/NZS 1170.1 clause 3.8 a) i) for Light Traffic Areas, based on:

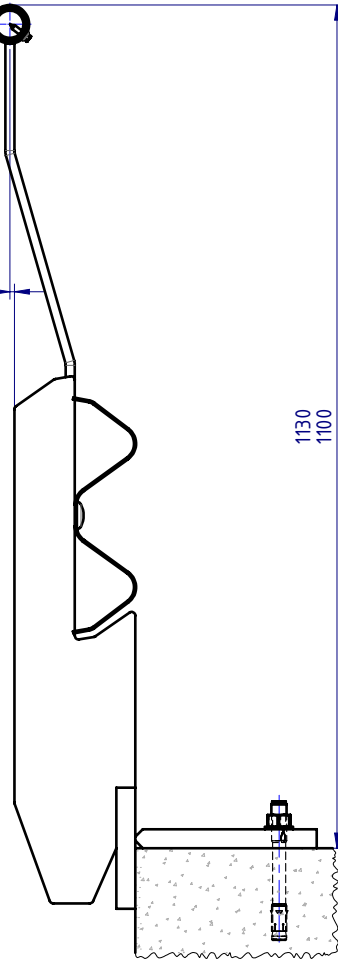
- Post spacing at Maximum 2 mtrs Centres
- Minimum 3 Post Assembly per Installation



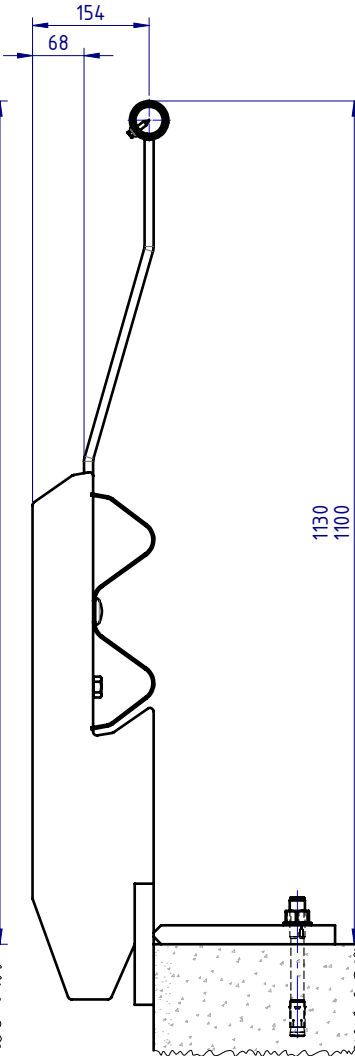
SECTION A-A
BASE PLATE DETAIL
TYPICAL
ANCHOR BOLT HIDDEN FOR CLARITY



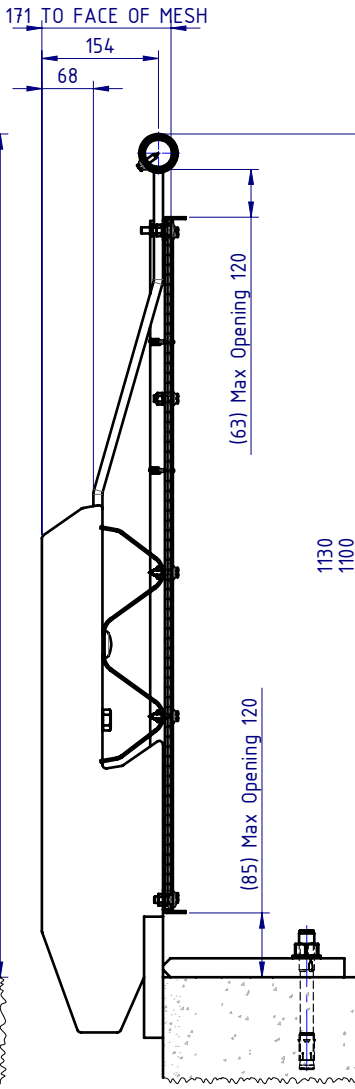
Rhino-Stop® Sky-Edge Type 1
GuardRail



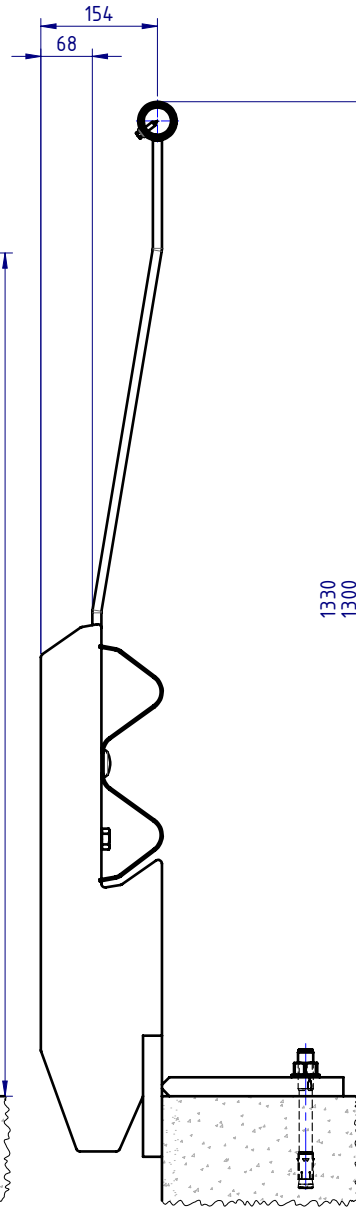
Rhino-Stop® Sky-Edge Type 2
GuardRail & Offside Balustrade



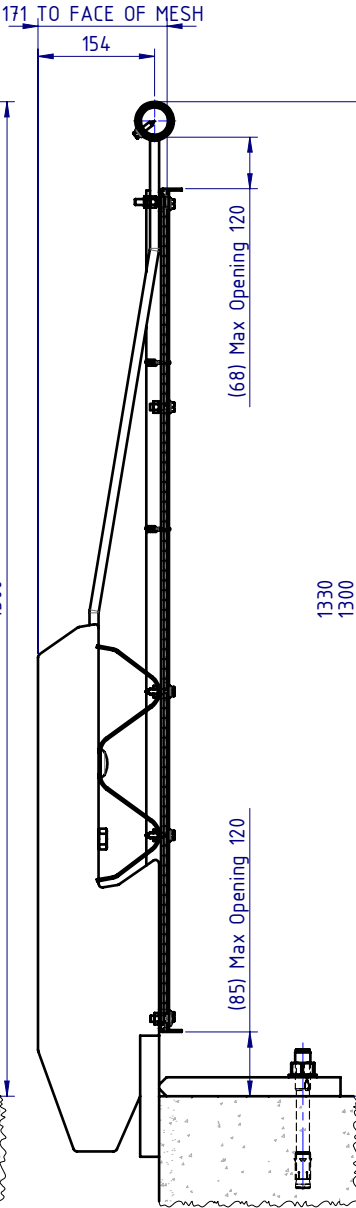
Rhino-Stop® Sky-Edge Type 3
GuardRail & Nearside Balustrade



Rhino-Stop® Sky-Edge Type 4
GuardRail, Balustrade & Anti-Climb Mesh



Rhino-Stop® Sky-Edge Type 5
GuardRail & Sight Rail



Rhino-Stop® Sky-Edge Type 6
GuardRail, Balustrade, Anti-Climb Mesh
& Sight Rail

REVISIONS				
REV.	ZONE	DESCRIPTION	DATE	APPV'D
A		Original Issue, supersedes GR-WB-036	04/05/2022	HW

MATERIAL:		
FINISH:		
STATUS	NAME	DATE
DRAWN	W. Rogulski	21/04/2022
CHK'D	T. Colquhoun	04/05/2022
APPV'D	H. Wallace	04/05/2022

SafeDirection
CRASH BARRIER SOLUTIONS

COPYRIGHT. All rights reserved. These drawings, plans and specifications and the copyright therein are the properties of Safe Direction Pty Ltd, and must not be used, reproduced or copied wholly or in part without written permission.

U.N.O. TOLERANCES: ±1mm ALL DIMENSIONS ARE IN: mm

APPROVED

TITLE: Carpark Barriers - RhinoStop® Sky-Edge Rhino-Stop® Sky-Edge Assembly Types		REVISION: A	SHEET: A4
General Arrangement		REVISION: A	SHEET: A4
DWG NO. SD-CP-02000	WEIGHT: 353.0kg	SCALE: 1:10	SHEET 1 of 1