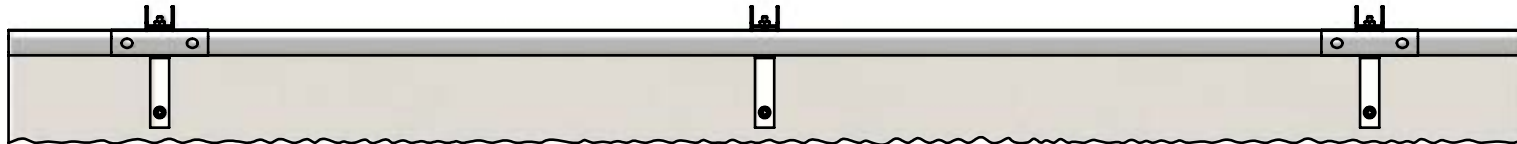


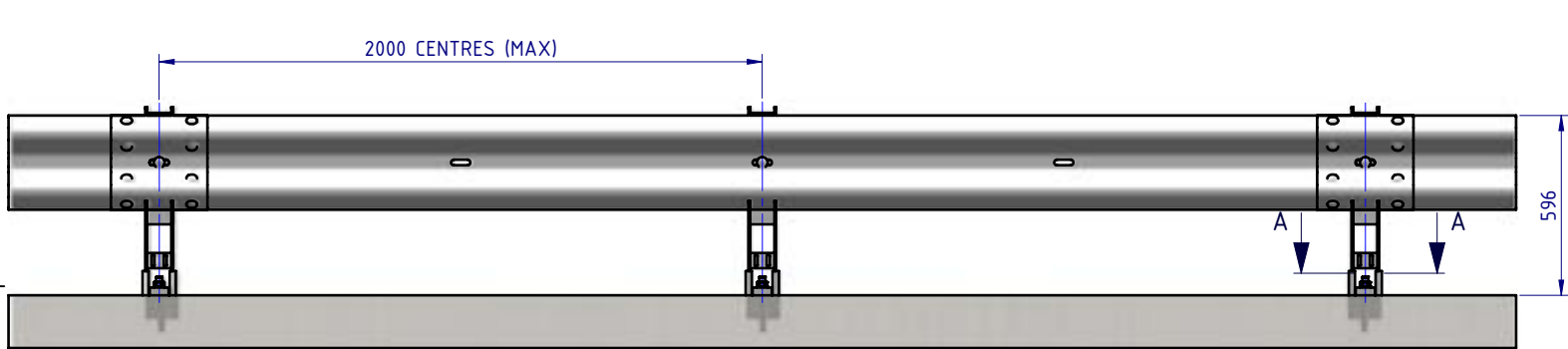
Rhino-Stop has been assessed to exceed the 30kN impact load as described in AS/NZS 1170.1 clause 3.8 a) i) for Light Traffic Areas, based on:

- Post spacing at Maximum 2 mtrs Centres
- Minimum 3 Post Assembly per Installation

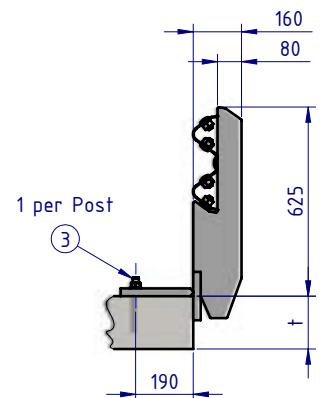
REVISIONS				
REV.	ZONE	DESCRIPTION	DATE	APPV'D
A		Original Issue, supersedes GR-WB-030	04/05/2022	HW



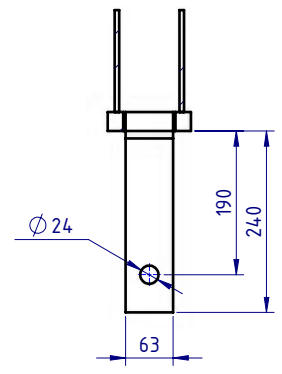
PLAN VIEW



FRONT ELEVATION



SIDE ELEVATION



SECTION A-A
BASE PLATE DETAIL
SCALE 1:10

Post Anchor Bolt Installation Details		
Slab Thickness (t)	≤ 170mm	> 170mm
Anchor Bolt Part #	GR-FS-20-0160-HG	GR-FS-20-0187-HG
Anchor Bolt Type	Fischer FBN II Mechanical	Fischer FBN II Mechanical
Min. Embedment Depth	100mm	130mm
Drill Type	Masonry Bit	Masonry Bit
Drill diameter	Ø20mm	Ø20mm
Drill Depth	105mm	135mm
Minimum Torque	200Nm	200Nm

BOM			
ITEM NO.	PART NUMBER	DESCRIPTION	Weight kg
1	GR-PB-IS-0700-AG	Rhino-Stop® Sky Edge Post	13.7
2	GR-WB-SR-4000-CG	W-Beam Guardrail 4.0M NLL, 1.0M CTRS	43.3
3	GR-FS-20-0187-HG	FISCHER FBN II, M20x187mm	0.5
4	GR-FS-16-0032-MG	M16x32 SPLICE Hex Bolt & Oversize Nut Assy	0.2
5	GR-FS-16-0050-MG	M16x50 POST Hex Bolt & Nut Assy	0.2

MATERIAL:		
FINISH:		
STATUS	NAME	DATE
DRAWN	W. Rogulski	21/04/2022
CHK'D	T. Colquhoun	4/05/2022
APPV'D	H. Wallace	04/05/2022

SafeDirection
CRASH BARRIER SOLUTIONS

COPYRIGHT All rights reserved. These drawings, plans and specifications and the copyright therein are the properties of Safe Direction Pty Ltd, and must not be used, reproduced or copied wholly or in part without written permission.

ABN: 53 156 459 684

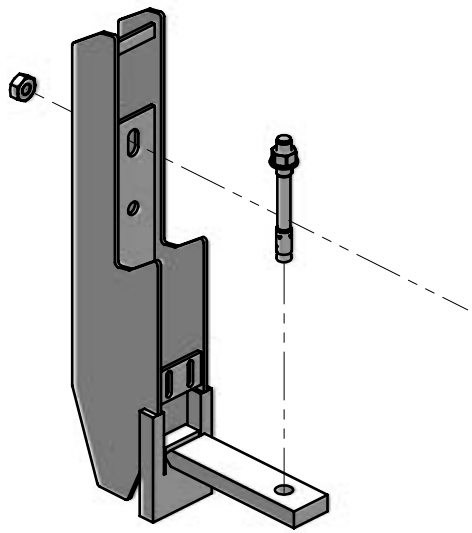
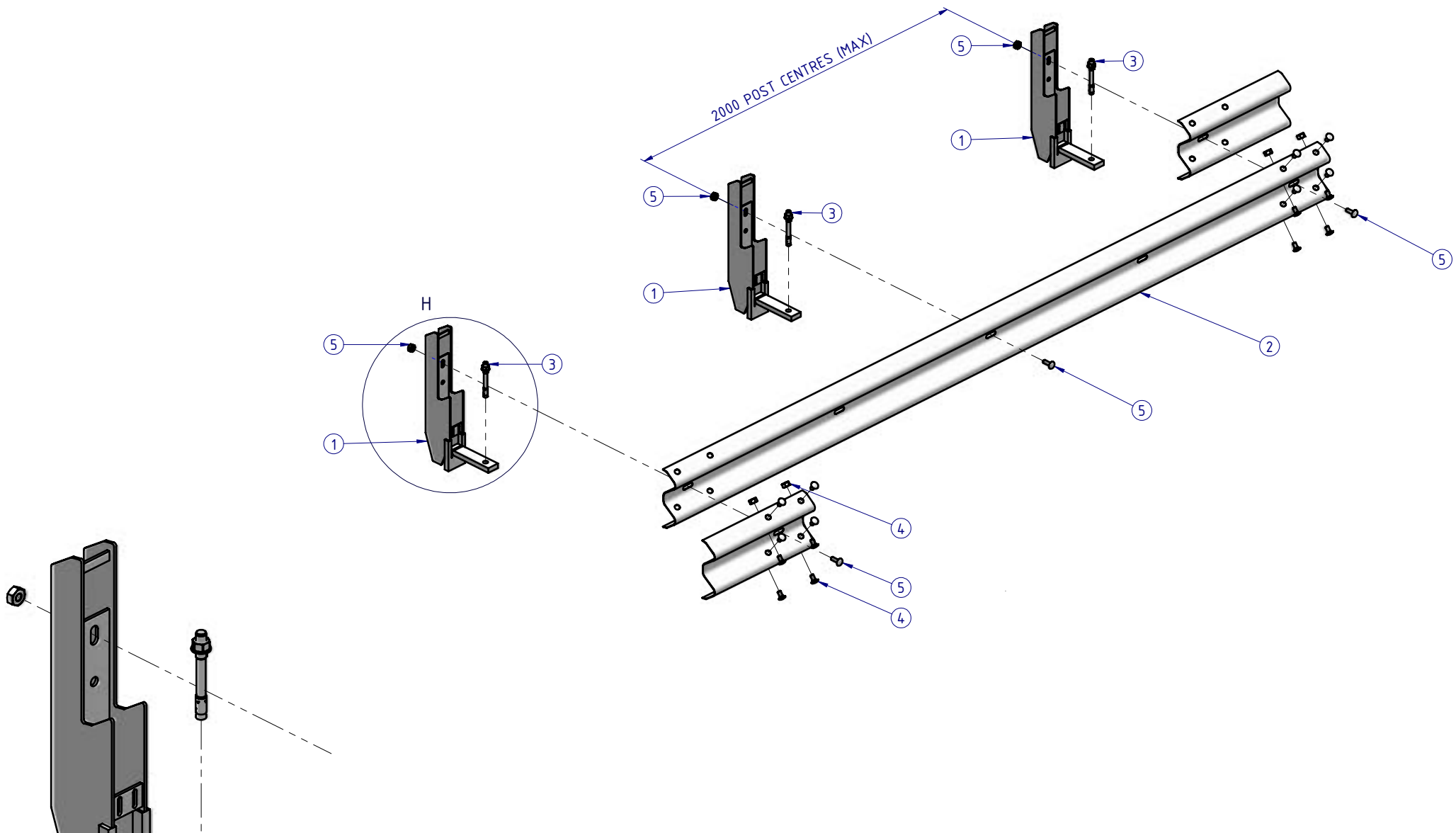
U.N.O. TOLERANCES: ±1mm ALL DIMENSIONS ARE IN: mm

APPROVED

TITLE: Carpark Barriers - RhinoStop® Sky-Edge Rhino-Stop® Sky-Edge Type 1 GuardRail General Arrangement			
DWG NO.	REVISION:	SHEET SIZE	
SD-CP-02001	A	A4	
WEIGHT: 353.0kg	DO NOT SCALE DRAWING	SCALE: 1:25	SHEET 1 of 3

Rhino-Stop has been assessed to exceed the 30kN impact load as described in AS/NZS 1170.1 clause 3.8 a) i) for Light Traffic Areas, based on:

- Post spacing at Maximum 2 mtrs Centres
- Minimum 3 Post Assembly per Installation

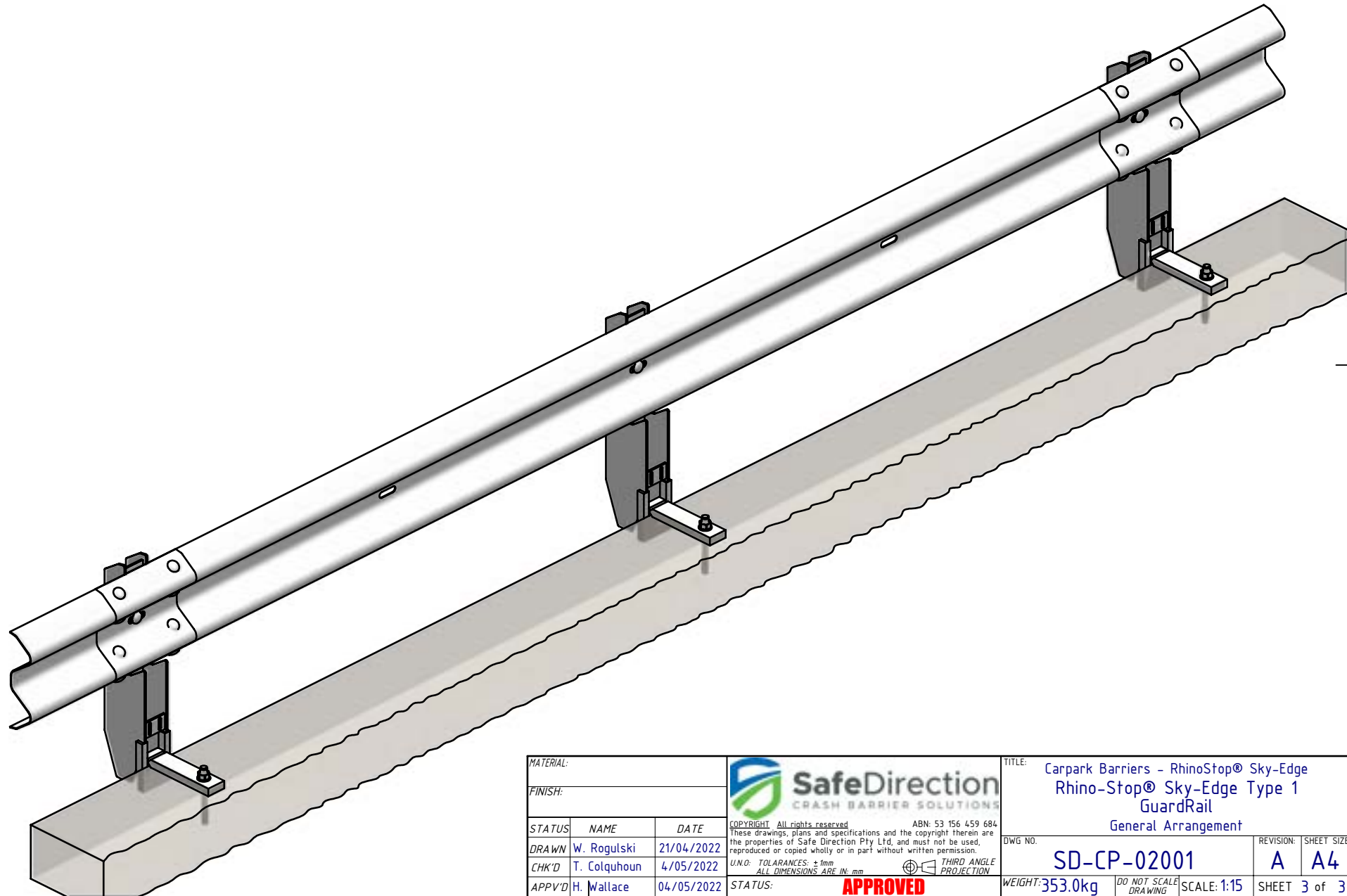


DETAIL H
SCALE 1:10

MATERIAL:					TITLE: Carpark Barriers - RhinoStop® Sky-Edge Rhino-Stop® Sky-Edge Type 1 GuardRail General Arrangement		
FINISH:					DWG NO. SD-CP-02001		
STATUS	NAME	DATE	<small>COPYRIGHT All rights reserved. ABN: 53 156 459 684. These drawings, plans and specifications and the copyright therein are the properties of Safe Direction Pty Ltd, and must not be used, reproduced or copied wholly or in part without written permission.</small> <small>U.N.O. TOLERANCES: ±1mm ALL DIMENSIONS ARE IN: mm</small>			REVISION:	SHEET SIZE:
DRAWN	W. Rogulski	21/04/2022				A	A4
CHK'D	T. Colquhoun	4/05/2022					
APPV'D	H. Wallace	04/05/2022					
STATUS: APPROVED			WEIGHT: 353.0kg		SCALE: 1:25		SHEET 2 of 3

Rhino-Stop has been assessed to exceed the 30kN impact load as described in AS/NZS 1170.1 clause 3.8 a) i) for Light Traffic Areas, based on:

- Post spacing at Maximum 2 mtrs Centres
- Minimum 3 Post Assembly per Installation



MATERIAL:		
FINISH:		
STATUS	NAME	DATE
DRAWN	W. Rogulski	21/04/2022
CHK'D	T. Colquhoun	4/05/2022
APPV'D	H. Wallace	04/05/2022

SafeDirection
CRASH BARRIER SOLUTIONS

COPYRIGHT All rights reserved. These drawings, plans and specifications and the copyright therein are the properties of Safe Direction Pty Ltd, and must not be used, reproduced or copied wholly or in part without written permission.

ABN: 53 156 459 684

U.N.O. TOLERANCES: ±1mm ALL DIMENSIONS ARE IN: mm

THIRD ANGLE PROJECTION

APPROVED

TITLE: Carpark Barriers - RhinoStop® Sky-Edge Rhino-Stop® Sky-Edge Type 1 GuardRail General Arrangement			
DWG NO.	REVISION:	SHEET SIZE	
SD-CP-02001	A	A4	
WEIGHT: 353.0kg	DO NOT SCALE DRAWING	SCALE: 1:15	SHEET 3 of 3