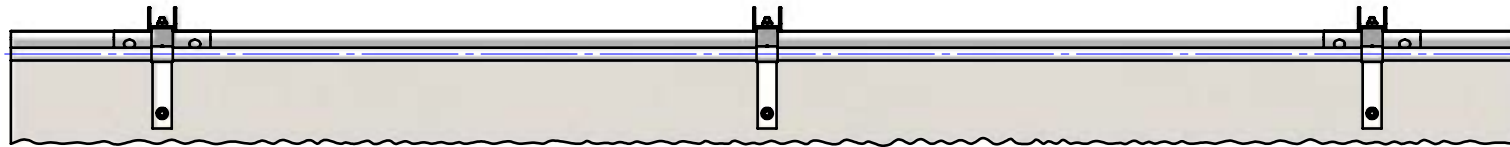


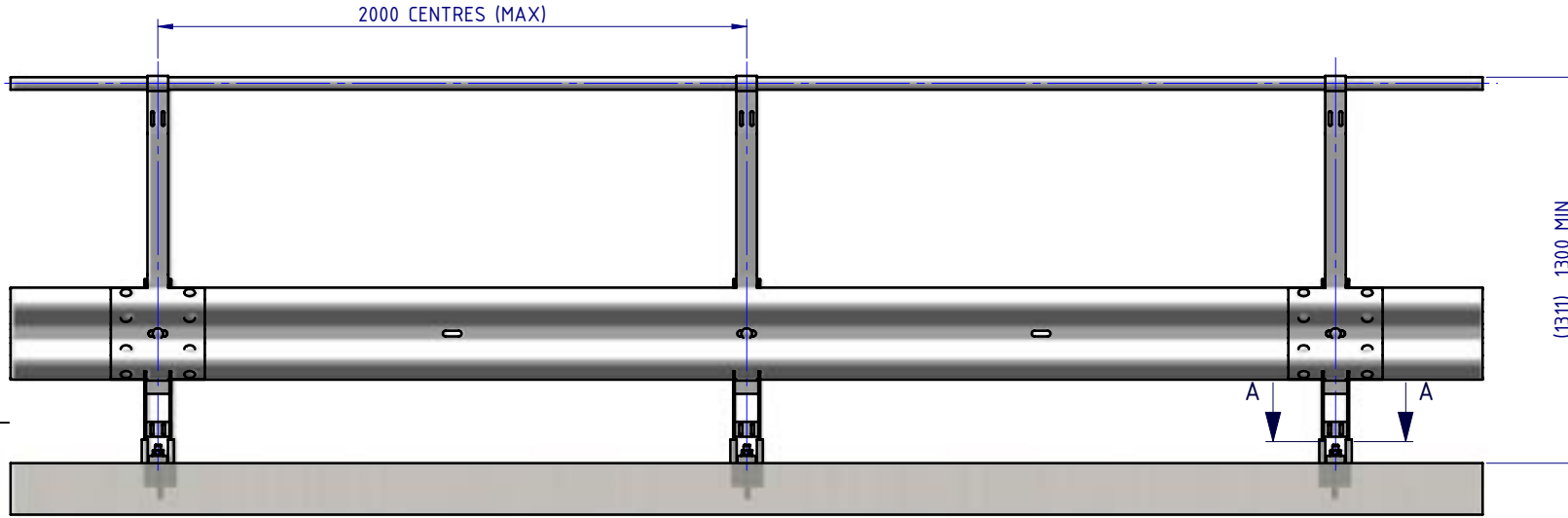
Rhino-Stop has been assessed to exceed the 30kN impact load as described in AS/NZS 1170.1 clause 3.8 a) i) for Light Traffic Areas, based on:

- Post spacing at Maximum 2 mtrs Centres
- Minimum 3 Post Assembly per Installation

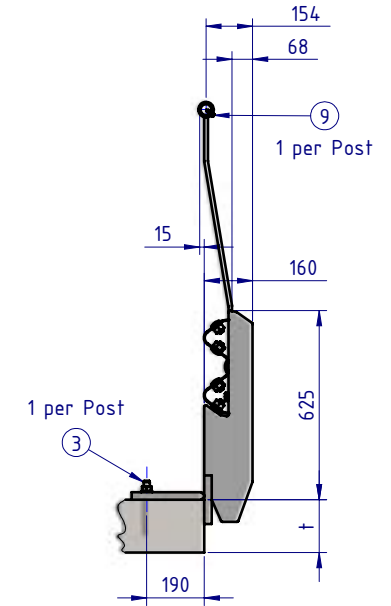
REV.		DESCRIPTION		DATE	APPV'D
A		Original Issue, supersedes GR-WB-034		04/05/2022	HW



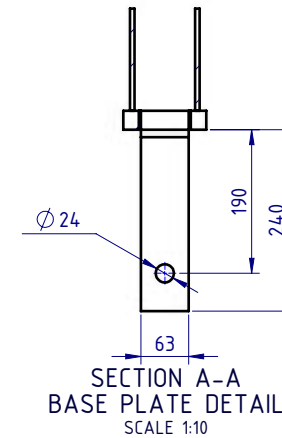
PLAN VIEW



FRONT ELEVATION



SIDE ELEVATION



SECTION A-A
BASE PLATE DETAIL
SCALE 1:10

Post Anchor Bolt Installation Details		
Slab Thickness (t)	≤ 170mm	> 170mm
Anchor Bolt Part #	GR-FS-20-0160-HG	GR-FS-20-0187-HG
Anchor Bolt Type	Fischer FBN II Mechanical	Fischer FBN II Mechanical
Min. Embedment Depth	100mm	130mm
Drill Type	Masonry Bit	Masonry Bit
Drill diameter	Ø20mm	Ø20mm
Drill Depth	105mm	135mm
Minimum Torque	200Nm	200Nm

BOM			
ITEM NO.	PART NUMBER	DESCRIPTION	Weight kg
1	GR-PB-IS-0700-AG	Rhino-Stop® Sky Edge Post	13.7
2	GR-MX-MX-1010-AG	Handrail Extension Type 6	6.6
3	GR-FS-20-0187-HG	FISCHER FBN II, M20x187mm	0.5
4	GR-WB-SR-4000-CG	W-Beam Guardrail 4.0M NLL, 1.0M CTRS	43.3
5	HR-PI-32-6500-AG	Handrail / Sight Rail Pipe 32NB	20.1
6	GR-FS-16-0045-HG	M16x45 Hex Head Bolt & Nut Assy	0.0
7	GR-FS-16-0032-MG	M16x32 SPLICE Hex Bolt & Oversize Nut Assy	0.2
8	GR-FS-16-0050-MG	M16x50 POST Hex Bolt & Nut Assy	0.2
9	GR-FS-14-0025-TG	14g x 25mm Hex Head Screw Self Tapping, 10 tpi, Class5, B8 Coating	

MATERIAL:		
FINISH:		
STATUS	NAME	DATE
DRAWN	W. Rogulski	21/04/2022
CHK'D	T. Colquhoun	4/05/2022
APPV'D	H. Wallace	04/05/2022

SafeDirection
CRASH BARRIER SOLUTIONS

COPYRIGHT. All rights reserved. These drawings, plans and specifications and the copyright therein are the properties of Safe Direction Pty Ltd, and must not be used, reproduced or copied wholly or in part without written permission.

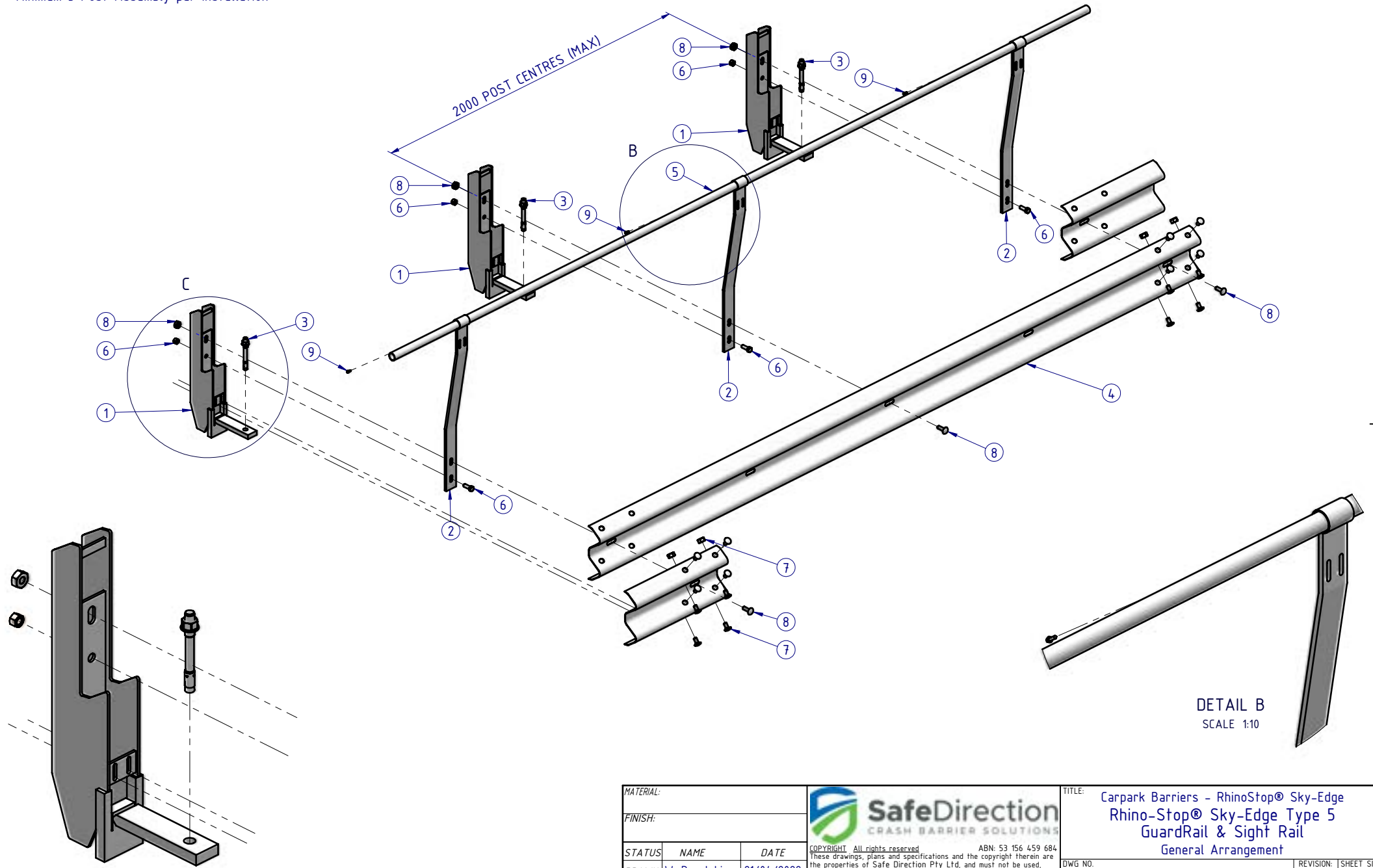
U.N.O. TOLERANCES: ±1mm ALL DIMENSIONS ARE IN: mm

APPROVED

TITLE: Carpark Barriers - RhinoStop® Sky-Edge Rhino-Stop® Sky-Edge Type 5 GuardRail & Sight Rail General Arrangement			
DWG NO.	REVISION:	SHEET SIZE	
SD-CP-02005	A	A4	
WEIGHT: 388.3kg	DO NOT SCALE DRAWING	SCALE: 1:25	SHEET 1 of 3


Rhino-Stop has been assessed to exceed the 30kN impact load as described in AS/NZS 1170.1 clause 3.8 a) i) for Light Traffic Areas, based on:

- Post spacing at Maximum 2 mtrs Centres
- Minimum 3 Post Assembly per Installation



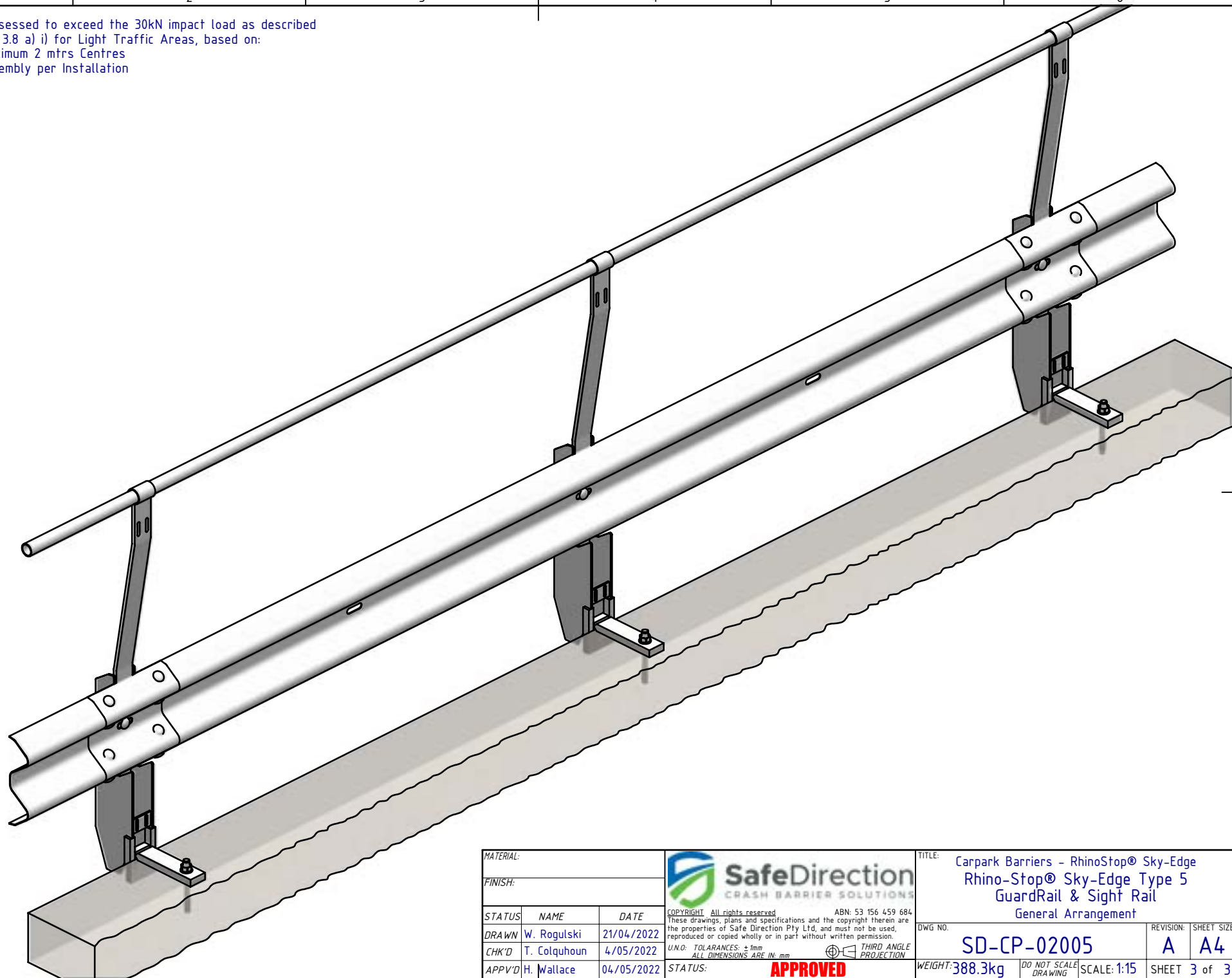
DETAIL C
SCALE 1:10



DETAIL B
SCALE 1:10

MATERIAL:			 CRASH BARRIER SOLUTIONS		TITLE: Carpark Barriers - RhinoStop® Sky-Edge Rhino-Stop® Sky-Edge Type 5 GuardRail & Sight Rail General Arrangement						
FINISH:					DWG NO. SD-CP-02005			REVISION: A	SHEET SIZE: A4		
STATUS	NAME	DATE	COPYRIGHT All rights reserved. ABN: 53 156 459 684 These drawings, plans and specifications and the copyright therein are the properties of Safe Direction Pty Ltd, and must not be used, reproduced or copied wholly or in part without written permission. U.N.O. TOLERANCES: ±1mm ALL DIMENSIONS ARE IN: mm			WEIGHT: 388.3kg		DO NOT SCALE DRAWING	SCALE: 1:25	SHEET 2 of 3	
DRAWN	W. Rogulski	21/04/2022				THIRD ANGLE PROJECTION		APPROVED			
CHK'D	T. Colquhoun	4/05/2022									
APPV'D	H. Wallace	04/05/2022									

Rhino-Stop has been assessed to exceed the 30kN impact load as described in AS/NZS 1170.1 clause 3.8 a) i) for Light Traffic Areas, based on:

- Post spacing at Maximum 2 mtrs Centres
- Minimum 3 Post Assembly per Installation



MATERIAL:			 SafeDirection CRASH BARRIER SOLUTIONS		TITLE: Carpark Barriers - RhinoStop® Sky-Edge Type 5 GuardRail & Sight Rail General Arrangement		
FINISH:					DWG NO. SD-CP-02005		
STATUS	NAME	DATE	<small>COPYRIGHT All rights reserved</small> <small>ABN: 53 156 459 684</small> <small>These drawings, plans and specifications and the copyright therein are the properties of Safe Direction Pty Ltd, and must not be used, reproduced or copied wholly or in part without written permission.</small> <small>U.N.O. TOLARANCES: ±1mm</small> <small>ALL DIMENSIONS ARE IN: mm</small>  <small>THIRD ANGLE PROJECTION</small>			REVISION:	SHEET SIZE
DRAWN	W. Rogulski	21/04/2022				A	A4
CHK'D	T. Colquhoun	4/05/2022					
APPV'D	H. Wallace	04/05/2022					
STATUS: APPROVED			WEIGHT: 388.3kg	<small>DO NOT SCALE DRAWING</small>	SCALE: 1:15	SHEET 3 of 3	