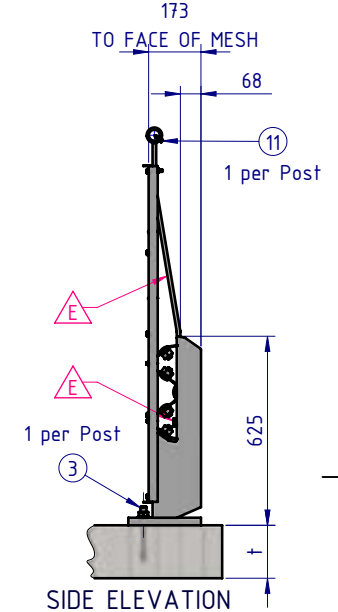
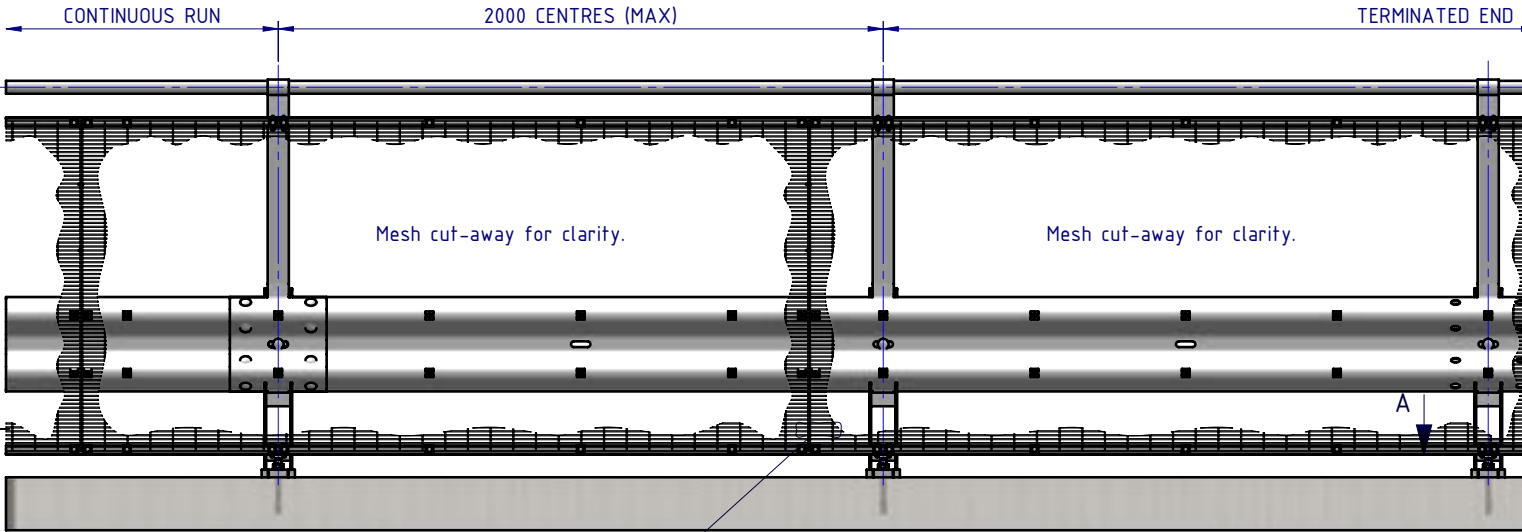
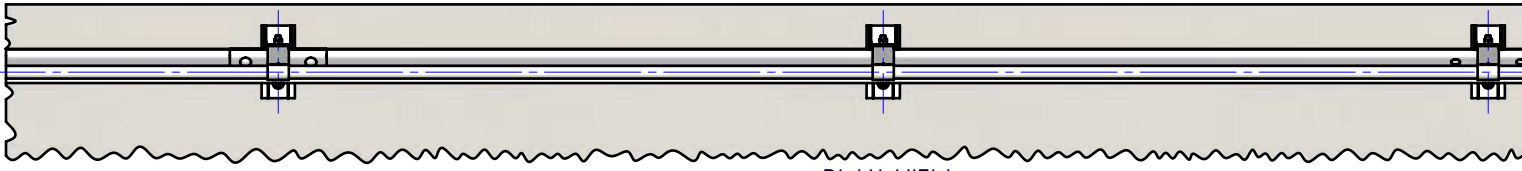


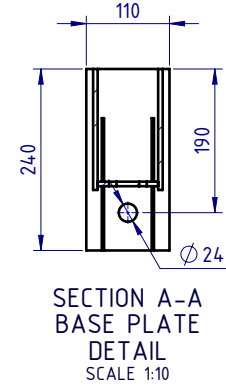
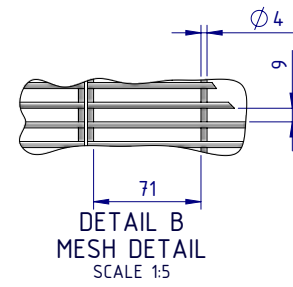
Rhino-Stop has been assessed to exceed the 30kN impact load as described in AS/NZS 1170.1 clause 3.8 a) i) for Light Traffic Areas, based on:

- Post spacing at Maximum 2 mtrs Centres
- Minimum 3 Post Assembly per Installation

A	INITIAL ISSUE	23/10/2013	TC
B	REVISED AND REISSUED FOR INITIAL ISSUE	19/06/2014	TC
C	NEW HANDRAIL EXTENSION ADDED	18/07/2017	TC
D	Redrawn from AutoCAD	5/11/2021	WR
E	B6 Updated GR-MX-MX-1010-AG_F, M16x45 B/N ASSY was M16x35	16/11/2021	HW
F	Updated Mesh Panel fasteners to Guardrail at Post	19/04/2022	HW



ITEM NO.	PART NUMBER	Description	Weight kg
1	GR-PB-IS-0625-CG	Rhino-Stop® Post	12.3
2	GR-MX-MX-1010-AG	Handrail Extension Type 6	6.6
3	GR-FS-20-0187-HG	FISCHER FBN II, M20x187mm	0.5
4	GR-WB-SR-4000-CG	W-Beam Guardrail 4.0M NLL, 1.0M CTRS	43.3
5	GR-EA-30-6000-BG	Mesh Support Angle	6.6
6	HR-PI-32-6500-AG	Handrail / Sight Rail Pipe 32NB	20.1
7	GR-MX-MX-2411-AG	Mesh Infill Panel 2400x1100, Ø4 wire, 71x9 aperture	4.4
8	GR-FS-16-0045-HG	M16x45 Hex Head Bolt & Nut Assy	0.0
9	GR-FS-16-0032-MG	M16x32 Mushroom Head SPLICE Bolt & Oversize Nut Assy CL8.8	0.2
10	GR-FS-16-0050-MG	M16x50 Mushroom Head POST Bolt & Nut Assy Class 4.6	0.2
11	GR-FS-14-0025-TG	14g x 25mm Hex Head Screw Self Tapping, 10 tpi, Class5, B8 Coating	
12	GR-FS-08-0040-MG	M8x40 Mushroom Head Bolt & Nut Assy Class 4.6 HDG	0.0
13	GR-FS-08-0025-MG	M8x25 Mushroom Head Bolt & Nut Assy CL4.6 HDG	0.0
14	GR-FS-08-0000-AG	M8 Square Hole Mesh Washer	0.0
15	GR-FS-12-0035-TG	12g x 35mm Hex Head Screw Self Tapping, 10 tpi, Class5, B8 Coating	
16	GR-EA-30-6000-BG	Mesh Support Angle	1.2
17	GE-FS-08-0025-HG	M8x25 Hex Head Screw Class 8.8 B Coating	
18	GE-FS-08-0000-HG	M8 Hex Nut Class5 B-Coating	



Post Anchor Bolt Installation Details		
Slab Thickness (t)	≤ 170mm	> 170mm
Anchor Bolt Part #	GR-FS-20-0160-HG	GR-FS-20-0187-HG
Anchor Bolt Type	Fischer FBN II Mechanical	Fischer FBN II Mechanical
Min. Embedment Depth	100mm	130mm
Drill Type	Masonry Bit	Masonry Bit
Drill diameter	Ø20mm	Ø20mm
Drill Depth	105mm	135mm
Minimum Torque	200Nm	200Nm

MATERIAL:

FINISH:

STATUS:

NAME: W. Rogulski
DATE: 14/01/2022

CHK'D: T. Colquhoun
DATE: 19/04/2022

APPV'D: H. Wallace
DATE: 19/04/2022

SafeDirection
CRASH BARRIER SOLUTIONS

COPYRIGHT All rights reserved. ABN: 53 156 459 684
These drawings, plans and specifications and the copyright therein are the properties of Safe Direction Pty Ltd, and must not be used, reproduced or copied wholly or in part without written permission.

U.N.O. TOLERANCES: ±1mm
ALL DIMENSIONS ARE IN: mm

THIRD ANGLE PROJECTION

APPROVED

TITLE: Carpark Barriers - RhinoStop® Standard Rhino-Stop® Standard Type 6 GuardRail, Balustrade, Anti-Climb Mesh & Sight Rail General Arrangement

DWG NO.: SD-CP-01006

REVISION: F

SHEET SIZE: A4

WEIGHT: 593.9kg

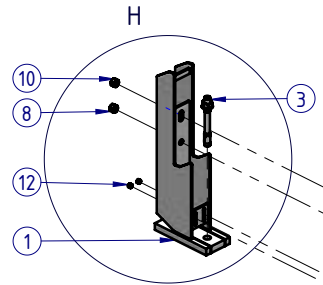
SCALE: 1:25

SHEET 1 of 5

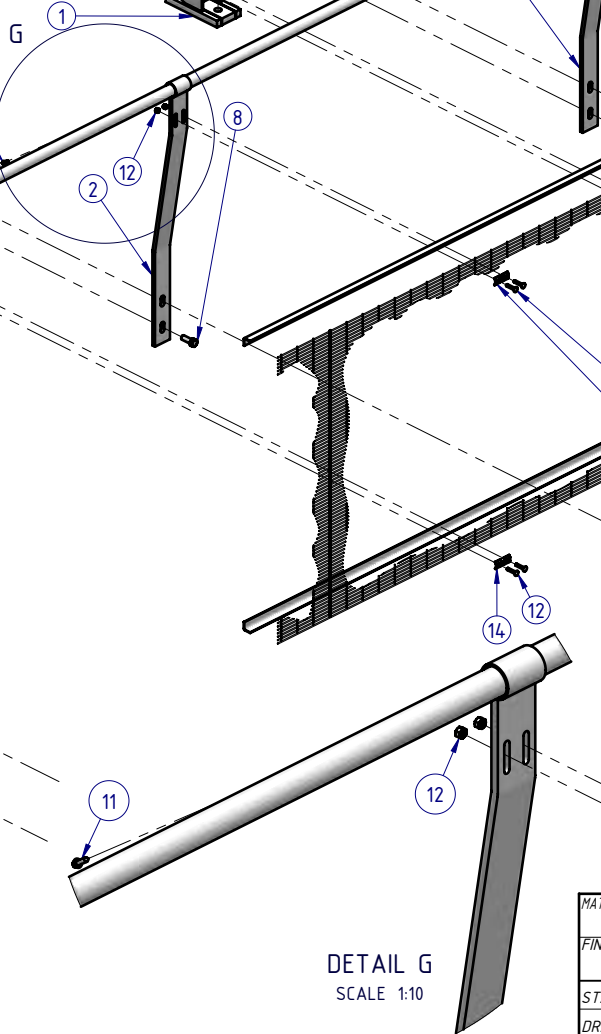
Rhino-Stop has been assessed to exceed the 30kN impact load as described in AS/NZS 1170.1 clause 3.8 a) i) for Light Traffic Areas, based on:

- Post spacing at Maximum 2 mtrs Centres
- Minimum 3 Post Assembly per Installation


2000 POST CENTRES (MAX)



DETAIL H
SCALE 1:10

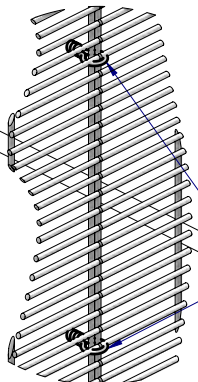
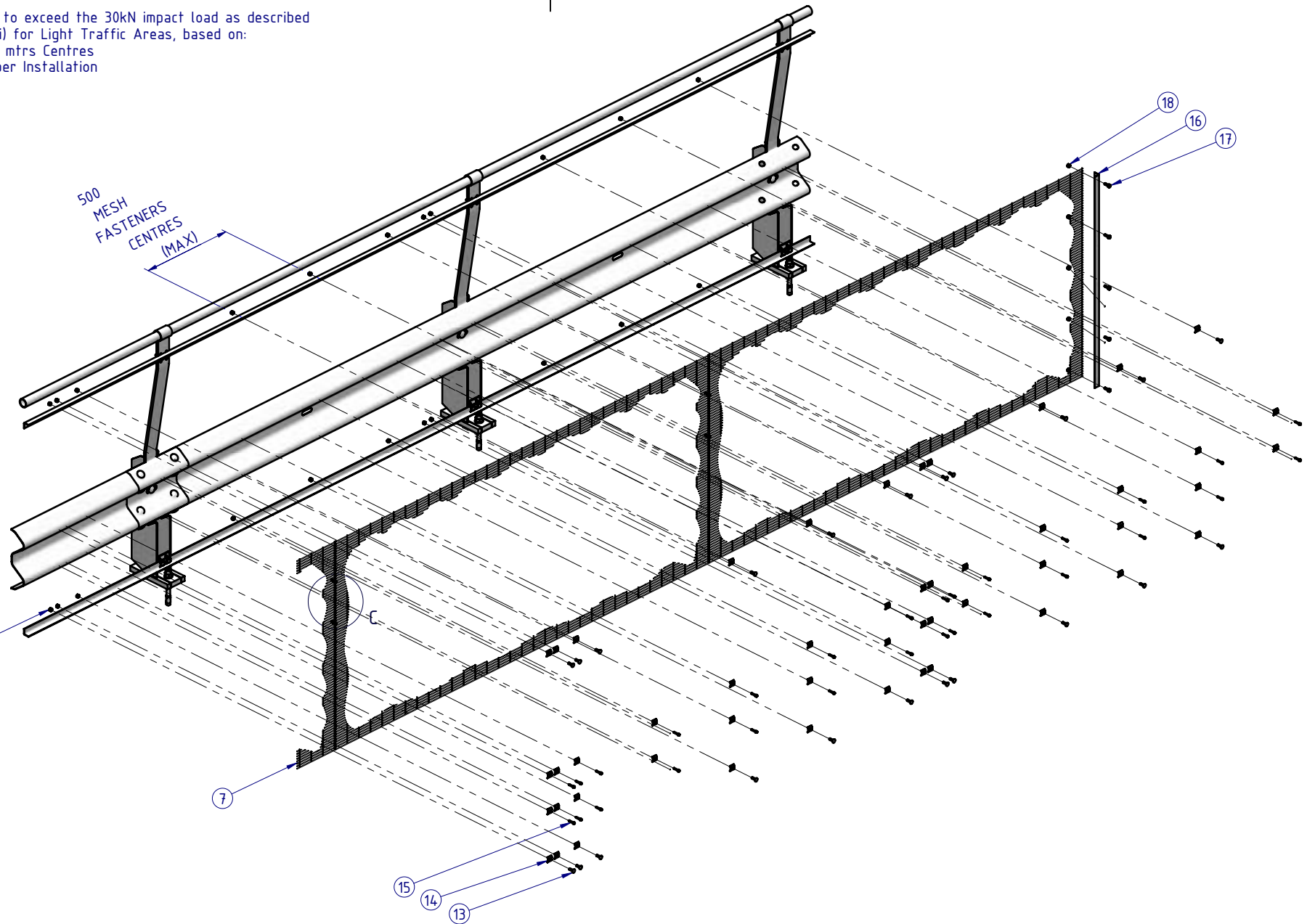


DETAIL G
SCALE 1:10

MATERIAL:			 SafeDirection CRASH BARRIER SOLUTIONS		TITLE: Carpark Barriers - RhinoStop® Standard Rhino-Stop® Standard Type 6 GuardRail, Balustrade, Anti-Climb Mesh & Sight Rail General Arrangement			
FINISH:					<small>COPYRIGHT All rights reserved. ABN: 53 156 459 684 These drawings, plans and specifications and the copyright therein are the properties of Safe Direction Pty Ltd, and must not be used, reproduced or copied wholly or in part without written permission.</small>		DWG NO:	REVISION:
STATUS	NAME	DATE	<small>U.N.O: TOLERANCES: ±1mm ALL DIMENSIONS ARE IN: mm</small>		SD-CP-01006		F	A4
DRAWN	W. Rogulski	14/01/2022	<small>THIRD ANGLE PROJECTION</small>		WEIGHT: 593.9kg		DO NOT SCALE DRAWING	SCALE: 1:25
CHK'D	T. Colquhoun	19/04/2022	APPROVED		SHEET 2 of 5			
APPV'D	H. Wallace	19/04/2022	STATUS:		Thursday, 5 May 2022 12:13:03 PM			

Rhino-Stop has been assessed to exceed the 30kN impact load as described in AS/NZS 1170.1 clause 3.8 a) i) for Light Traffic Areas, based on:

- Post spacing at Maximum 2 mtrs Centres
- Minimum 3 Post Assembly per Installation



2-OFF to be installed at every Mesh Panel connection
Minimum Galvanised Wire Ø3, crimped
Vertically equispaced

DETAIL C
SCALE 1:5

MATERIAL:		
FINISH:		
STATUS	NAME	DATE
DRAWN	W. Rogulski	14/01/2022
CHK'D	T. Colquhoun	19/04/2022
APPV'D	H. Wallace	19/04/2022



COPYRIGHT All rights reserved. ABN: 53 156 459 684
These drawings, plans and specifications and the copyright therein are the properties of Safe Direction Pty Ltd, and must not be used, reproduced or copied wholly or in part without written permission.

U.N.O. TOLERANCES: ±1mm
ALL DIMENSIONS ARE IN: mm

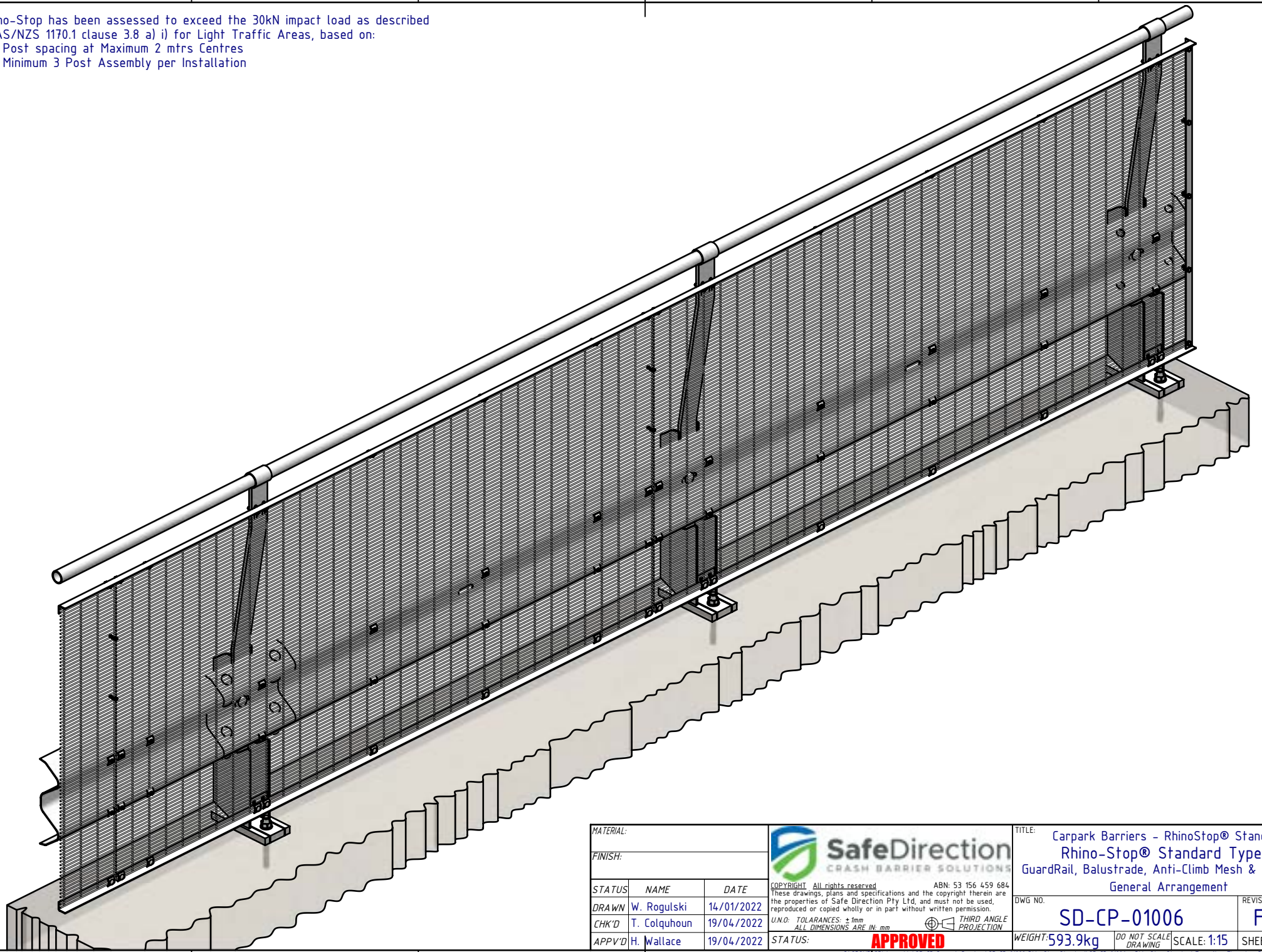
THIRD ANGLE PROJECTION

APPROVED

TITLE: Carpark Barriers - RhinoStop® Standard Rhino-Stop® Standard Type 6 GuardRail, Balustrade, Anti-Climb Mesh & Sight Rail General Arrangement			
DWG NO.	REVISION:	SHEET SIZE	
SD-CP-01006	F	A4	
WEIGHT: 593.9kg	DO NOT SCALE DRAWING	SCALE: 1:25	SHEET 3 of 5

Rhino-Stop has been assessed to exceed the 30kN impact load as described in AS/NZS 1170.1 clause 3.8 a) i) for Light Traffic Areas, based on:

- Post spacing at Maximum 2 mtrs Centres
- Minimum 3 Post Assembly per Installation



MATERIAL:		
FINISH:		
STATUS	NAME	DATE
DRAWN	W. Rogulski	14/01/2022
CHK'D	T. Colquhoun	19/04/2022
APPV'D	H. Wallace	19/04/2022

SafeDirection
CRASH BARRIER SOLUTIONS

COPYRIGHT All rights reserved. ABN: 53 156 459 684
These drawings, plans and specifications and the copyright therein are the properties of Safe Direction Pty Ltd, and must not be used, reproduced or copied wholly or in part without written permission.

U.N.O. TOLERANCES: ±1mm
ALL DIMENSIONS ARE IN: mm

STATUS: **APPROVED**

TITLE: Carpark Barriers - RhinoStop® Standard Rhino-Stop® Standard Type 6 GuardRail, Balustrade, Anti-Climb Mesh & Sight Rail General Arrangement			
DWG NO.	REVISION:	SHEET SIZE	
SD-CP-01006	F	A4	
WEIGHT: 593.9kg	DO NOT SCALE DRAWING	SCALE: 1:15	SHEET 5 of 5