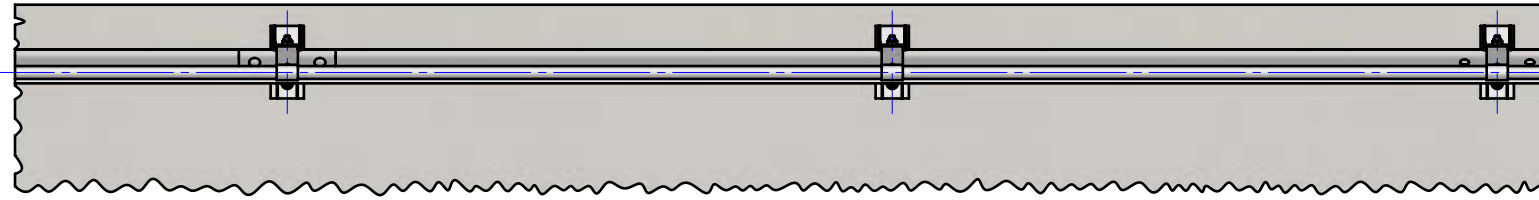


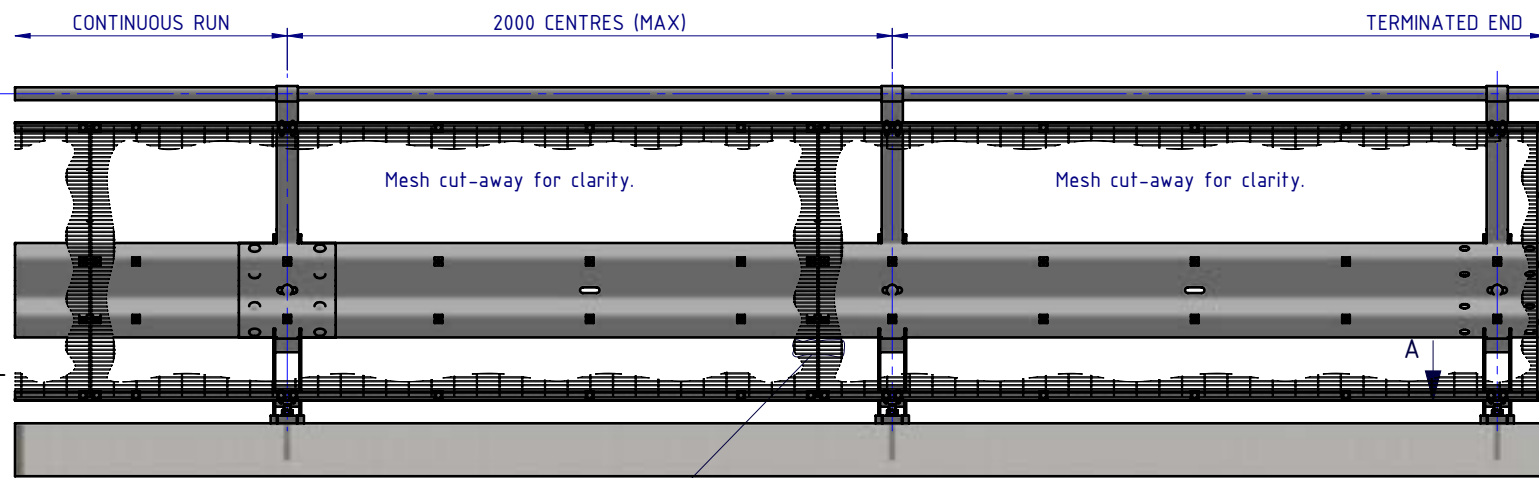
Rhino-Stop has been assessed to exceed the 30kN impact load as described in AS/NZS 1170.1 clause 3.8 a) i) for Light Traffic Areas, based on:

- Post spacing at Maximum 2 mtrs Centres
- Minimum 3 Post Assembly per Installation

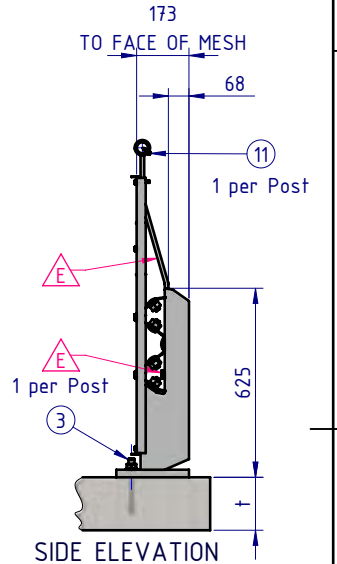
|   |   |            |    |
|---|---|------------|----|
| A | INITIAL ISSUE   | 23/10/2013 | TC |
| B | REVISED AND REISSUED FOR INITIAL ISSUE                    | 19/06/2014 | TC |
| C | NEW HANDRAIL EXTENSION ADDED                              | 13/07/2017 | TC |
| D | Redrawn from AutoCAD                                      | 5/11/2021  | WR |
| E | B6 Updated GR-MX-MX-0800-AG_E, M16x45 B/N ASSY was M16x35 | 16/11/2021 | HW |
| F | Updated Mesh Panel fasteners to Guardrail at Post         | 19/04/2022 | HW |



PLAN VIEW

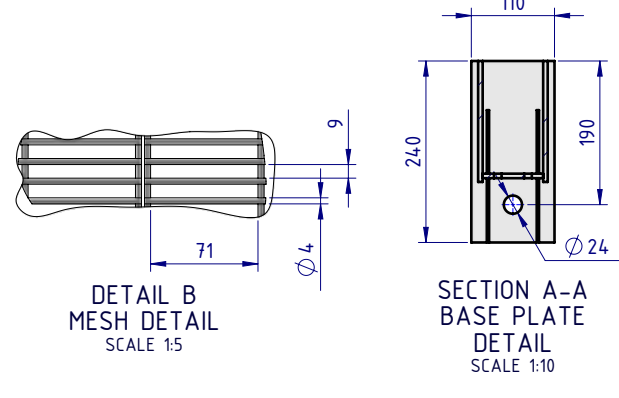


FRONT ELEVATION



SIDE ELEVATION

| ITEM NO. | PART NUMBER      | Description  | Weight kg |
|----------|------------------|--|-----------|
| 1        | GR-PB-IS-0625-CG | Rhino-Stop® Post   | 12.3      |
| 2        | GR-MX-MX-0800-AG | Handrail Extension Type 4  | 5.3       |
| 3        | GR-FS-20-0187-HG | FISCHER FBN II, M20x187mm  | 0.5       |
| 4        | GR-WB-SR-4000-CG | W-Beam Guardrail 4.0M NLL, 1.0M CTRS                               | 43.3      |
| 5        | GR-EA-30-6000-BG | Mesh Support Angle   | 6.6       |
| 6        | HR-PI-32-6500-AG | Handrail / Sight Rail Pipe 32NB                                    | 20.1      |
| 7        | GR-MX-MX-2409-AG | Mesh Infill Panel 2400x900, Ø4 wire, 71x9 aparture                 | 4.0       |
| 8        | GR-FS-16-0045-HG | M16x45 Hex Head Bolt & Nut Assy                                    | 0.0       |
| 9        | GR-FS-16-0032-MG | M16x32 Mushroom Head SPLICE Bolt & Oversize Nut Assy Class 8.8     | 0.2       |
| 10       | GR-FS-16-0050-MG | M16x50 Mushroom Head POST Bolt & Nut Assy Class 8.8                | 0.2       |
| 11       | GR-FS-14-0025-TG | 14g x 25mm Hex Head Screw Self Tapping, 10 tpi, Class5, B8 Coating |           |
| 12       | GR-FS-08-0040-MG | M8x40 Square Neck Small Cup Head Bolt & Nut Assy                   | 0.0       |
| 13       | GR-FS-08-0025-MG | M8x25 Square Neck Small Cup Head Bolt & Nut Assy                   | 0.0       |
| 14       | GR-FS-08-0000-AG | M8 Square Hole Mesh Washer   | 0.0       |
| 15       | GR-FS-12-0035-TG | 12g x 35mm Hex Head Screw Self Tapping, 10 tpi, Class5, B8 Coating |           |
| 16       | GR-EA-30-6000-BG | Mesh Support Angle   | 1.0       |
| 17       | GE-FS-08-0025-HG | M8x25 Hex Head Screw Class 8.8 B Coating                           |           |
| 18       | GE-FS-08-0000-HG | M8 Hex Nut Class5 B-Coating  |           |

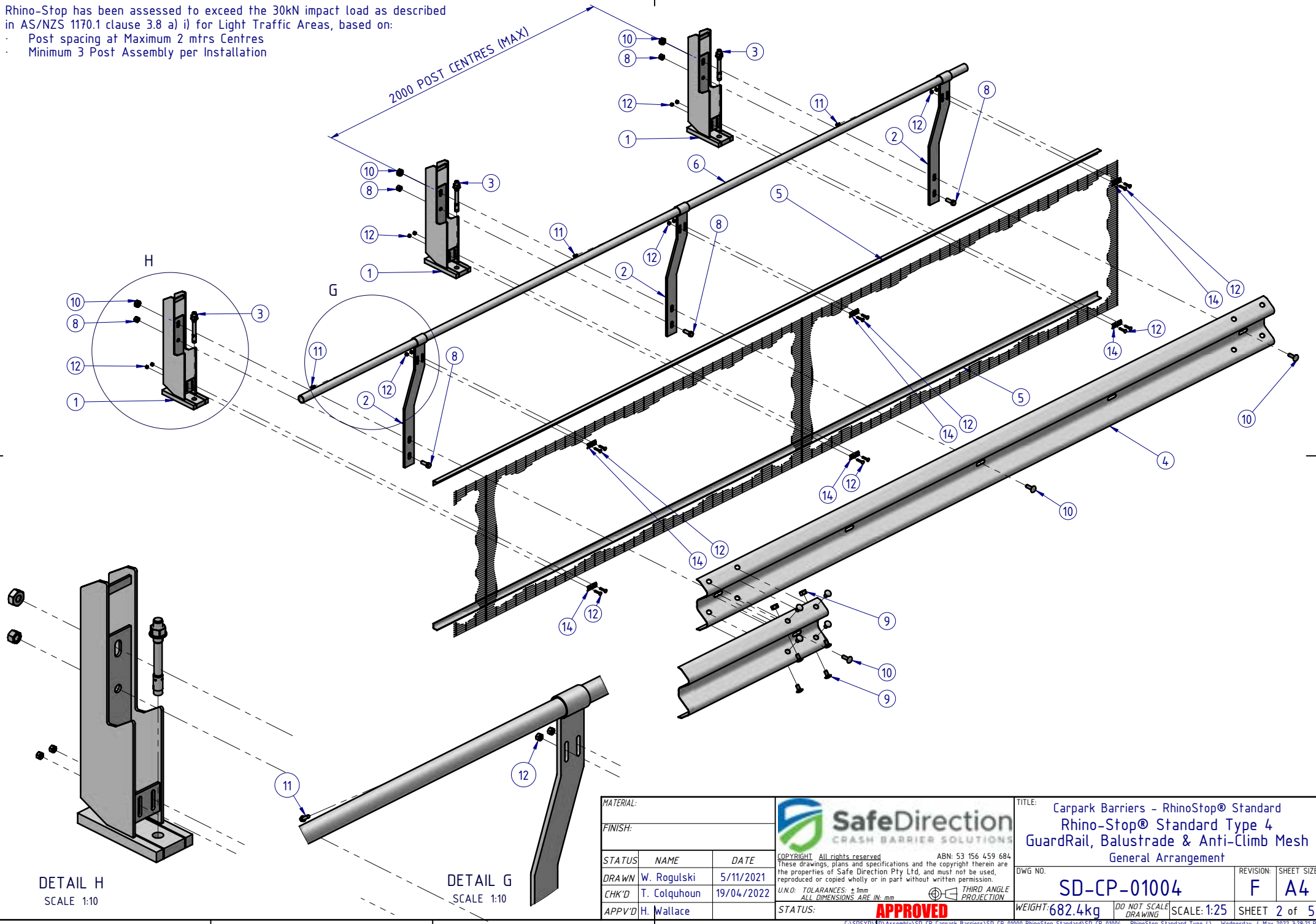


| Post Anchor Bolt Installation Details |                           |                           |
|---------------------------------------|---------------------------|---------------------------|
| Slab Thickness (t)                    | ≤ 170mm                   | > 170mm                   |
| Anchor Bolt Part #                    | GR-FS-20-0160-HG          | GR-FS-20-0187-HG          |
| Anchor Bolt Type                      | Fischer FBN II Mechanical | Fischer FBN II Mechanical |
| Min. Embedment Depth                  | 100mm                     | 130mm                     |
| Drill Type                            | Masonry Bit               | Masonry Bit               |
| Drill diameter                        | Ø20mm                     | Ø20mm                     |
| Drill Depth                           | 105mm                     | 135mm                     |
| Minimum Torque                        | 200Nm                     | 200Nm                     |

|   |   |                               |  |   |  |                                  |   |  |  |
|---|---|-------------------------------|--|---|--|----------------------------------|---|--|--|
| MATERIAL:   |   |                               |  | <b>SafeDirection</b><br>CRASH BARRIER SOLUTIONS |  |                                  | TITLE: Carpark Barriers - RhinoStop® Standard Rhino-Stop® Standard Type 4 GuardRail, Balustrade & Anti-Climb Mesh General Arrangement |  |  |
| FINISH:   |   |                               |  |   |  |                                  |   |  |  |
| STATUS:   |   |                               | COPYRIGHT: All rights reserved. ABN: 53 156 459 684<br>These drawings, plans and specifications and the copyright therein are the properties of Safe Direction Pty Ltd, and must not be used, reproduced or copied wholly or in part without written permission. |   |  | DWG NO: <b>SD-CP-01004</b>       |   |  |  |
| DRAWN: W. Rogulski<br>CHK'D: T. Colquhoun<br>APPV'D: H. Wallace | NAME: W. Rogulski<br>T. Colquhoun<br>H. Wallace | DATE: 5/11/2021<br>19/04/2022 | U.N.O: TOLERANCES: ±1mm<br>ALL DIMENSIONS ARE IN: mm   |   |  | REVISION: <b>F</b>               |   |  |  |
| STATUS: <b>APPROVED</b>   |   |                               | WEIGHT: <b>682.4kg</b>   |   |  | SCALE: 1:25                      |   |  |  |
|   |   |                               | SHEET 1 of 5   |   |  | WEDNESDAY, 4 MAY 2022 3:28:21 PM |   |  |  |

Rhino-Stop has been assessed to exceed the 30kN impact load as described in AS/NZS 1170.1 clause 3.8 a) i) for Light Traffic Areas, based on:

- Post spacing at Maximum 2 mtrs Centres
- Minimum 3 Post Assembly per Installation



DETAIL H  
SCALE 1:10

DETAIL G  
SCALE 1:10

|           |              |            |
|-----------|--------------|------------|
| MATERIAL: |              |            |
| FINISH:   |              |            |
| STATUS    | NAME         | DATE       |
| DRAWN     | W. Rogulski  | 5/11/2021  |
| CHK'D     | T. Colquhoun | 19/04/2022 |
| APPV'D    | H. Wallace   |            |

**SafeDirection**  
CRASH BARRIER SOLUTIONS

ABN: 53 156 459 684  
COPYRIGHT. All rights reserved. These drawings, plans and specifications and the copyright therein are the properties of Safe Direction Pty Ltd, and must not be used, reproduced or copied wholly or in part without written permission.

U.N.O. TOLERANCES: ±1mm  
ALL DIMENSIONS ARE IN: mm

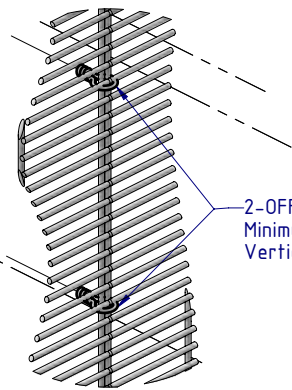
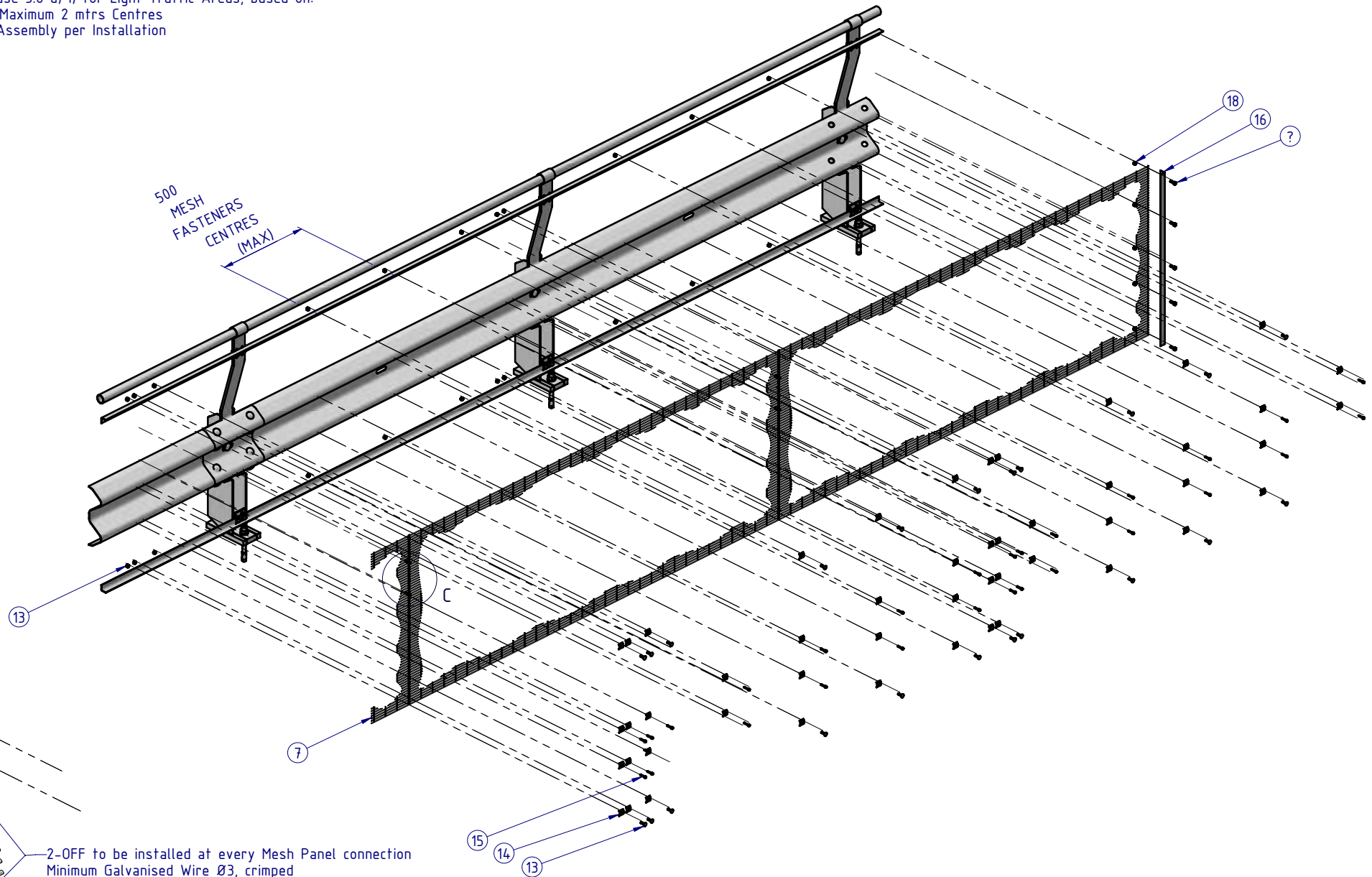
THIRD ANGLE PROJECTION

**APPROVED**

|  |                      |             |              |
|--|----------------------|-------------|--------------|
| TITLE: Carpark Barriers - RhinoStop® Standard<br>Rhino-Stop® Standard Type 4<br>GuardRail, Balustrade & Anti-Climb Mesh<br>General Arrangement |                      |             |              |
| DWG NO.  | REVISION:            | SHEET SIZE  |              |
| SD-CP-01004  | F                    | A4          |              |
| WEIGHT: 682.4kg  | DO NOT SCALE DRAWING | SCALE: 1:25 | SHEET 2 of 5 |



Rhino-Stop has been assessed to exceed the 30kN impact load as described in AS/NZS 1170.1 clause 3.8 a) i) for Light Traffic Areas, based on:

- Post spacing at Maximum 2 mtrs Centres
- Minimum 3 Post Assembly per Installation



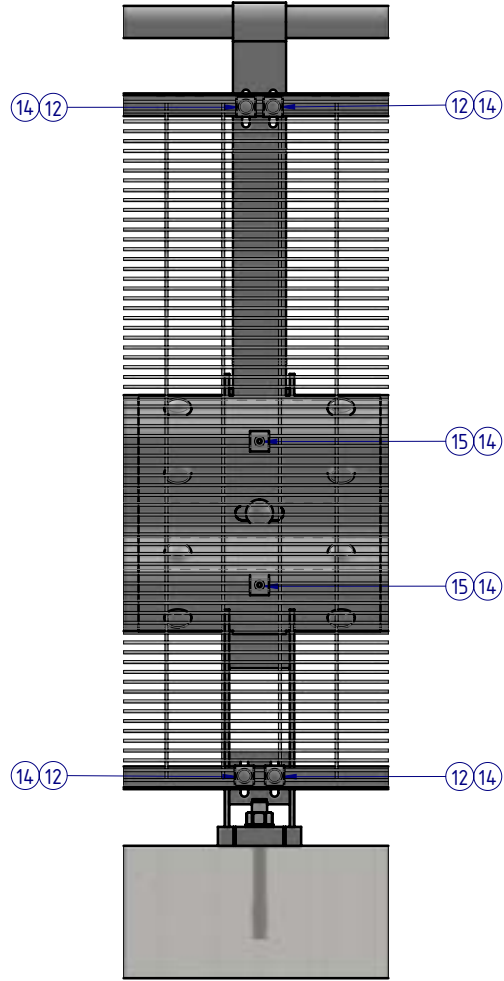
2-OFF to be installed at every Mesh Panel connection  
Minimum Galvanised Wire Ø3, crimped  
Vertically equispaced

DETAIL C  
SCALE 1:5

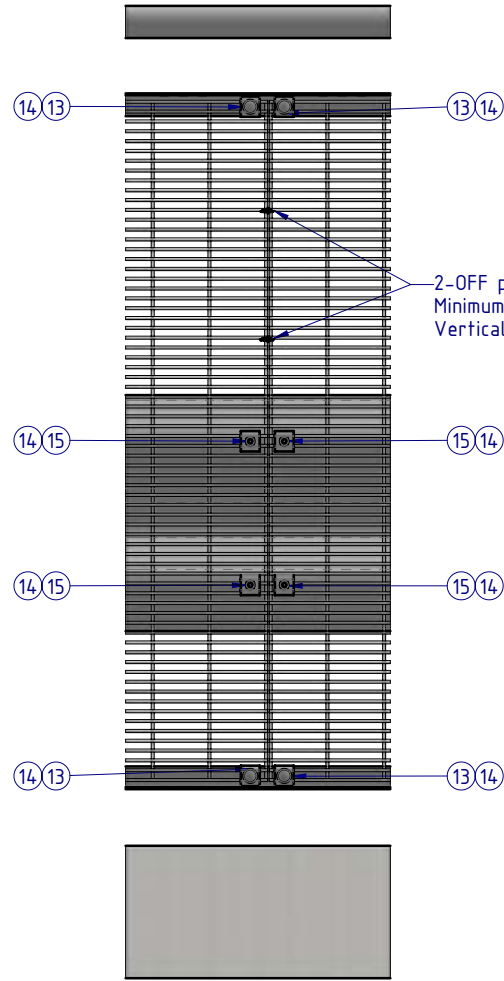
|           |              |            |   |  |  |   |                      |                    |                            |
|-----------|--------------|------------|---|--|--|---|----------------------|--------------------|----------------------------|
| MATERIAL: |              |            |  <p><b>SafeDirection</b><br/>CRASH BARRIER SOLUTIONS</p>   | TITLE: Carpark Barriers - RhinoStop® Standard<br>Rhino-Stop® Standard Type 4<br>GuardRail, Balustrade & Anti-Climb Mesh<br>General Arrangement |  |   |                      |                    |                            |
| FINISH:   |              |            |   | DWG NO. <b>SD-CP-01004</b> REVISION: <b>F</b> SHEET SIZE: <b>A4</b>  |  |   |                      |                    |                            |
| STATUS    | NAME         | DATE       | <small>COPYRIGHT All rights reserved. ABN: 53 156 459 684<br/>These drawings, plans and specifications and the copyright therein are the properties of Safe Direction Pty Ltd, and must not be used, reproduced or copied wholly or in part without written permission.</small><br><small>U.N.O. TOLERANCES: ±1mm ALL DIMENSIONS ARE IN: mm</small> |  |  | WEIGHT: <b>682.4kg</b>  | DO NOT SCALE DRAWING | SCALE: <b>1:25</b> | SHEET <b>3</b> of <b>5</b> |
| DRAWN     | W. Rogulski  | 5/11/2021  |   |  |  | THIRD ANGLE PROJECTION  |                      |                    |                            |
| CHK'D     | T. Colquhoun | 19/04/2022 |   |  |  |  |                      |                    |                            |
| APPV'D    | H. Wallace   |            |   |  |  | STATUS: <b>APPROVED</b>   |                      |                    |                            |

Rhino-Stop has been assessed to exceed the 30kN impact load as described in AS/NZS 1170.1 clause 3.8 a) i) for Light Traffic Areas, based on:

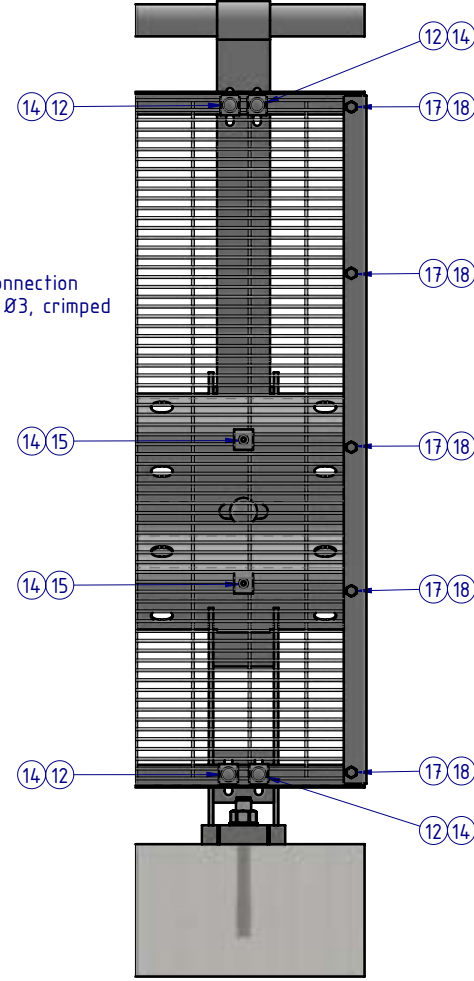
- Post spacing at Maximum 2 mtrs Centres
- Minimum 3 Post Assembly per Installation



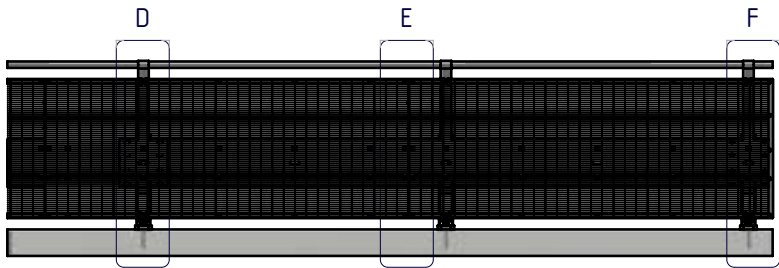
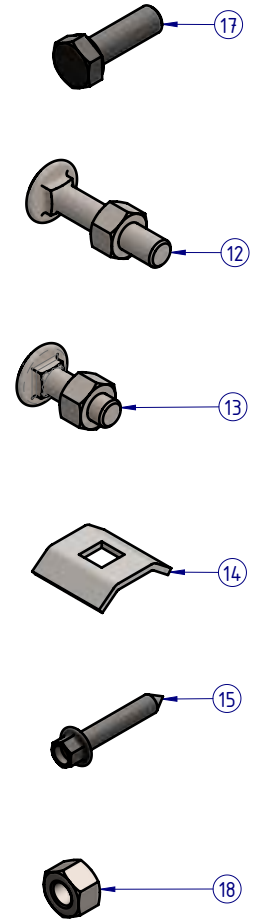
DETAIL D  
AT POST CONNECTION



DETAIL E  
MESH PANEL CONNECTION



DETAIL F  
TERMINATION CONNECTION



**MESH PANEL CONNECTION DETAILS**

ALL FASTENERS TO BE USED AS SHOWN  
ACCORDING TO CONNECTION TYPE

|           |              |            |
|-----------|--------------|------------|
| MATERIAL: |              |            |
| FINISH:   |              |            |
| STATUS    | NAME         | DATE       |
| DRAWN     | W. Rogulski  | 5/11/2021  |
| CHK'D     | T. Colquhoun | 19/04/2022 |
| APPV'D    | H. Wallace   |            |

**SafeDirection**  
CRASH BARRIER SOLUTIONS

COPYRIGHT All rights reserved. ABN: 53 156 459 684  
These drawings, plans and specifications and the copyright therein are the properties of Safe Direction Pty Ltd, and must not be used, reproduced or copied wholly or in part without written permission.

U.N.O. TOLERANCES: ±1mm  
ALL DIMENSIONS ARE IN: mm

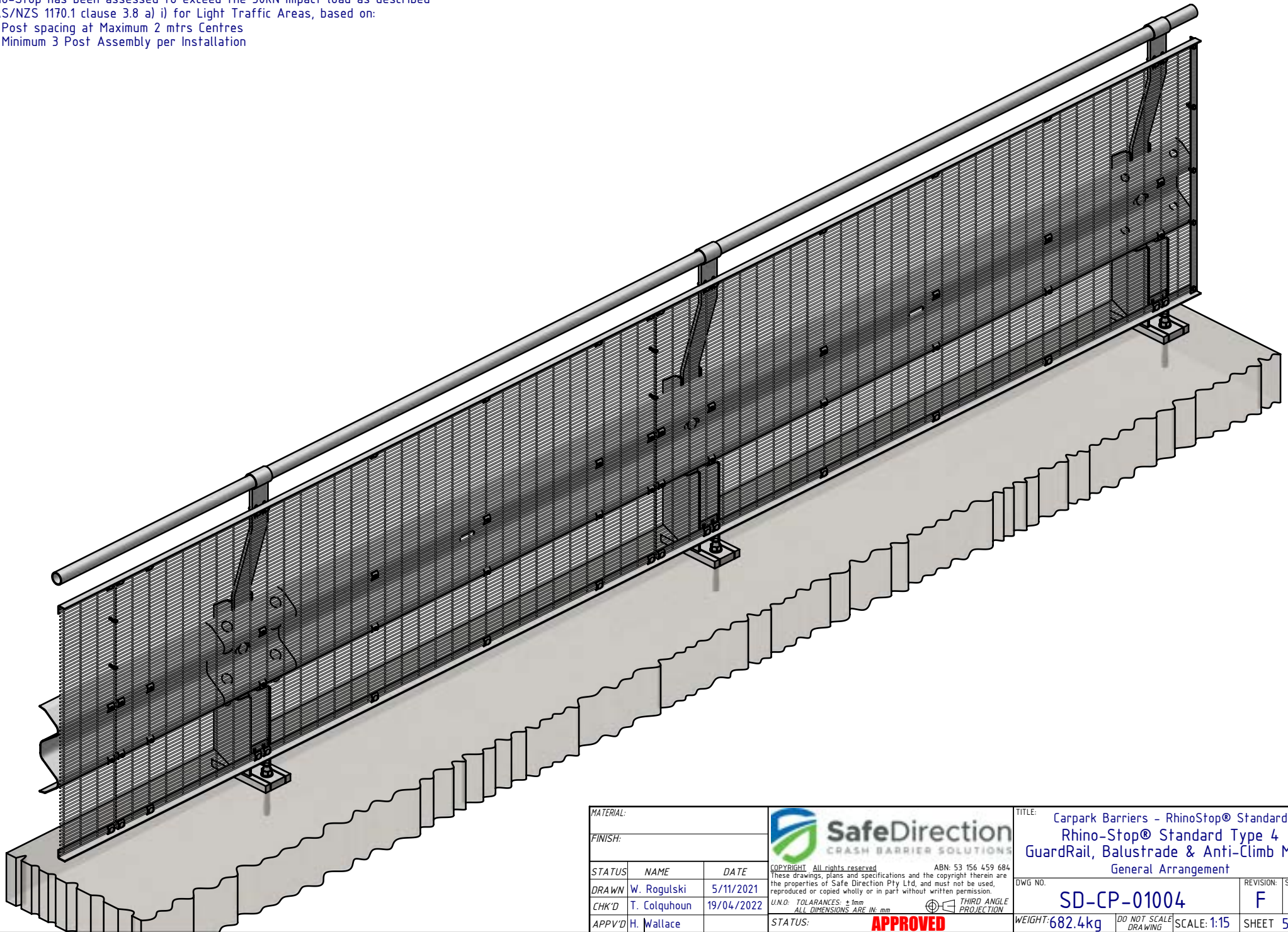
**THIRD ANGLE PROJECTION**


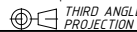
**APPROVED**

|  |                      |                |
|--|----------------------|----------------|
| TITLE: Carpark Barriers - RhinoStop® Standard<br>Rhino-Stop® Standard Type 4<br>GuardRail, Balustrade & Anti-Climb Mesh<br>General Arrangement |                      |                |
| DWG NO. SD-CP-01004  | REVISION: F          | SHEET SIZE: A4 |
| WEIGHT: 682.4kg  | DO NOT SCALE DRAWING | SCALE: 1:10    |
| STATUS: APPROVED   |                      | SHEET 4 of 5   |

Rhino-Stop has been assessed to exceed the 30kN impact load as described in AS/NZS 1170.1 clause 3.8 a) i) for Light Traffic Areas, based on:

- Post spacing at Maximum 2 mtrs Centres
- Minimum 3 Post Assembly per Installation



|           |              |            |  |  |   |  |  |                      |   |              |  |
|-----------|--------------|------------|--|--|---|--|--|----------------------|---|--------------|--|
| MATERIAL: |              |            | <br><b>SafeDirection</b><br>CRASH BARRIER SOLUTIONS |  | TITLE: Carpark Barriers - RhinoStop® Standard<br>Rhino-Stop® Standard Type 4<br>GuardRail, Balustrade & Anti-Climb Mesh<br>General Arrangement  |  |  |                      |   |              |  |
| FINISH:   |              |            |  |  | <small>COPYRIGHT All rights reserved      ABN: 53 156 459 684</small><br><small>These drawings, plans and specifications and the copyright therein are the properties of Safe Direction Pty Ltd, and must not be used, reproduced or copied wholly or in part without written permission.</small> |  | DWG NO:  | REVISION:            | SHEET SIZE                                      |              |  |
| STATUS    | NAME         | DATE       | <small>U.N.O. TOLERANCES: ±1mm</small><br><small>ALL DIMENSIONS ARE IN: mm</small>   |  | SD-CP-01004   |  | F  | A4                   |   |              |  |
| DRAWN     | W. Rogulski  | 5/11/2021  |  |  | <br><b>APPROVED</b>  |  | WEIGHT: 682.4kg  | DO NOT SCALE DRAWING | SCALE: 1:15                                     | SHEET 5 of 5 |  |
| CHK'D     | T. Colquhoun | 19/04/2022 |  |  |   |  | <small>C:\S\SD\YD\Assembly\SD-CP Carpark Barriers\SD-CP-01000 RhinoStop Standard\SD-CP-01004 - RhinoStop Standard Type 4</small> |                      | <small>Wednesday, 4 May 2022 3:28:21 PM</small> |              |  |
| APPV'D    | H. Wallace   |            |  |  |   |  |  |                      |   |              |  |