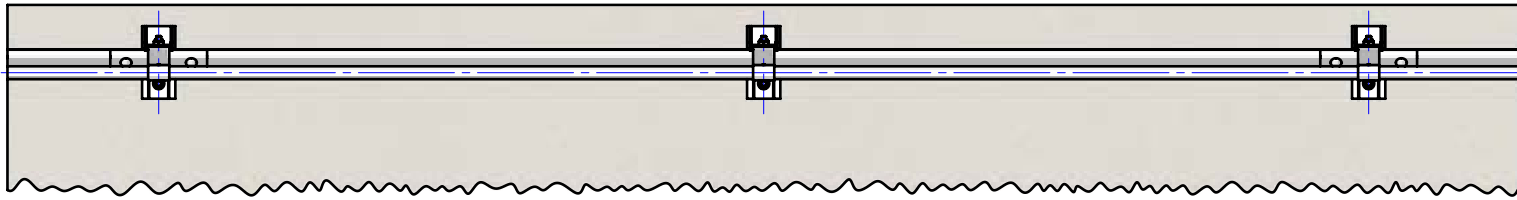


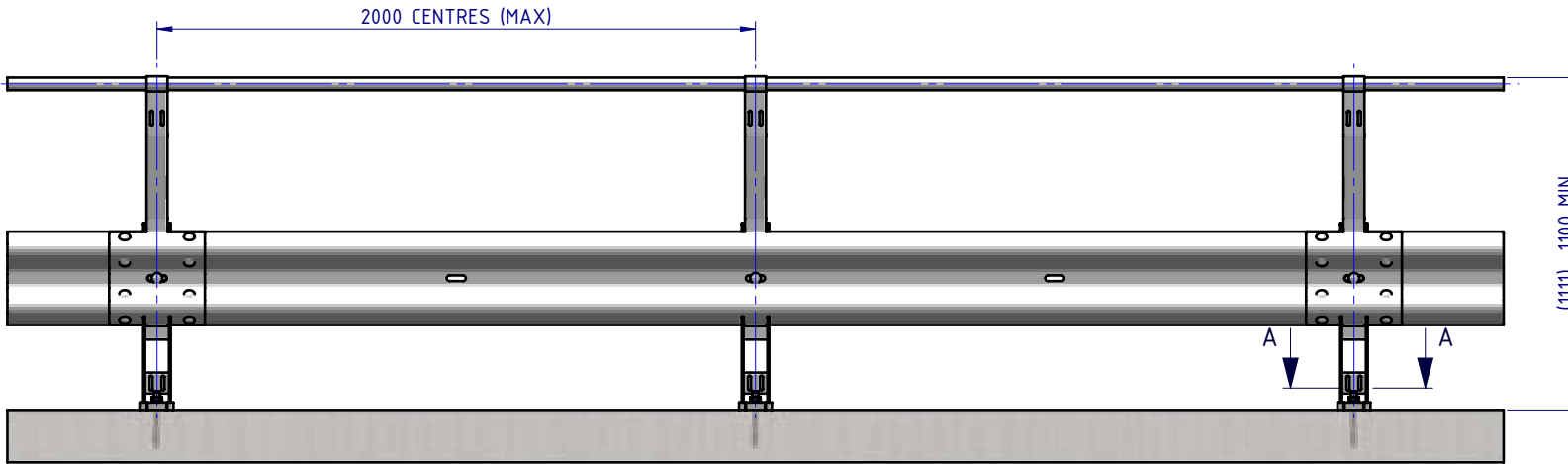
Rhino-Stop has been assessed to exceed the 30kN impact load as described in AS/NZS 1170.1 clause 3.8 a) i) for Light Traffic Areas, based on:

- Post spacing at Maximum 2 mtrs Centres
- Minimum 3 Post Assembly per Installation

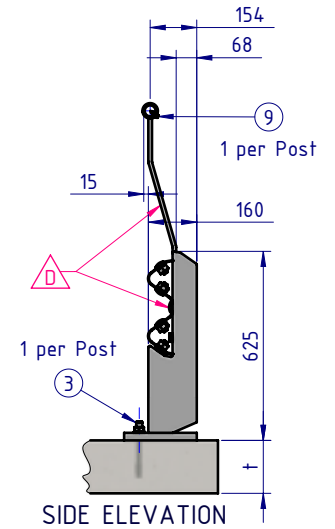
REVISIONS				
REV.	ZONE	DESCRIPTION	DATE	APPV'D
A		INITIAL ISSUE	23/10/2013	TC
B		NEW HANDRAIL EXTENSION ADDED	12/07/2017	TC
C		REDRAWN FROM AUTOCAD	30/11/2021	HW
D	B6	Updated GR-MX-MX-1010-AG F, M16x45 B/N ASSY was M16x35	8/12/2021	HW



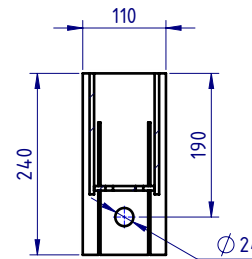
PLAN VIEW



FRONT ELEVATION



SIDE ELEVATION



SECTION A-A  
BASE PLATE  
DETAIL  
SCALE 1:10

Post Anchor Bolt Installation Details		
Slab Thickness (t)	≤ 170mm	> 170mm
Anchor Bolt Part #	GR-FS-20-0160-HG	GR-FS-20-0187-HG
Anchor Bolt Type	Fischer FBN II Mechanical	Fischer FBN II Mechanical
Min. Embedment Depth	100mm	130mm
Drill Type	Masonry Bit	Masonry Bit
Drill diameter	Ø20mm	Ø20mm
Drill Depth	105mm	135mm
Minimum Torque	200Nm	200Nm

BOM			
ITEM NO.	PART NUMBER	DESCRIPTION	Weight kg
1	GR-PB-IS-0625-CG	Rhino-Stop® Post	12.3
2	GR-MX-MX-0800-AG	Handrail Extension Type 4	5.3
3	GR-FS-20-0187-HG	FISCHER FBN II, M20x187mm	0.5
4	GR-WB-SR-4000-CG	W-Beam Guardrail 4.0M NLL, 1.0M CTRS	43.3
5	HR-PI-32-6500-AG	Handrail / Sight Rail Pipe 32NB	20.1
6	GR-FS-16-0045-HG	M16x45 Hex Head Bolt & Nut Assy	0.0
7	GR-FS-16-0032-MG	M16x32 SPLICE Hex Bolt & Oversize Nut Assy	0.2
8	GR-FS-16-0050-MG	M16x50 POST Hex Bolt & Nut Assy	0.2
9	GR-FS-14-0025-TG	14g x 25mm Hex Head Screw Self Tapping, 10 tpi, Class5, B8 Coating	

MATERIAL: AS NOTED ON DRAWING		
FINISH:		
STATUS	NAME	DATE
DRAWN	W. Rogulski	14/01/2022
CHK'D	T. Colquhoun	30/11/2021
APPV'D	H. Wallace	

**SafeDirection**  
CRASH BARRIER SOLUTIONS

COPYRIGHT. All rights reserved. These drawings, plans and specifications and the copyright therein are the properties of Safe Direction Pty Ltd, and must not be used, reproduced or copied wholly or in part without written permission.

ABN: 53 156 459 684  
U.N.O: TOLERANCES: ±1mm ALL DIMENSIONS ARE IN: mm

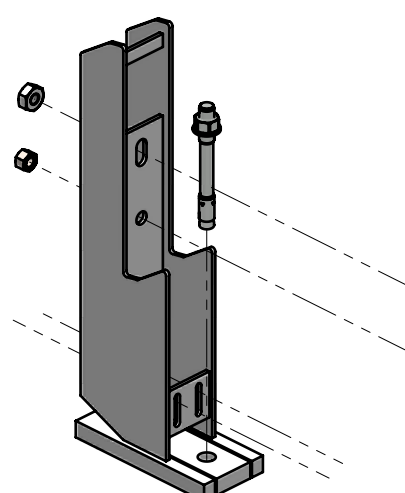
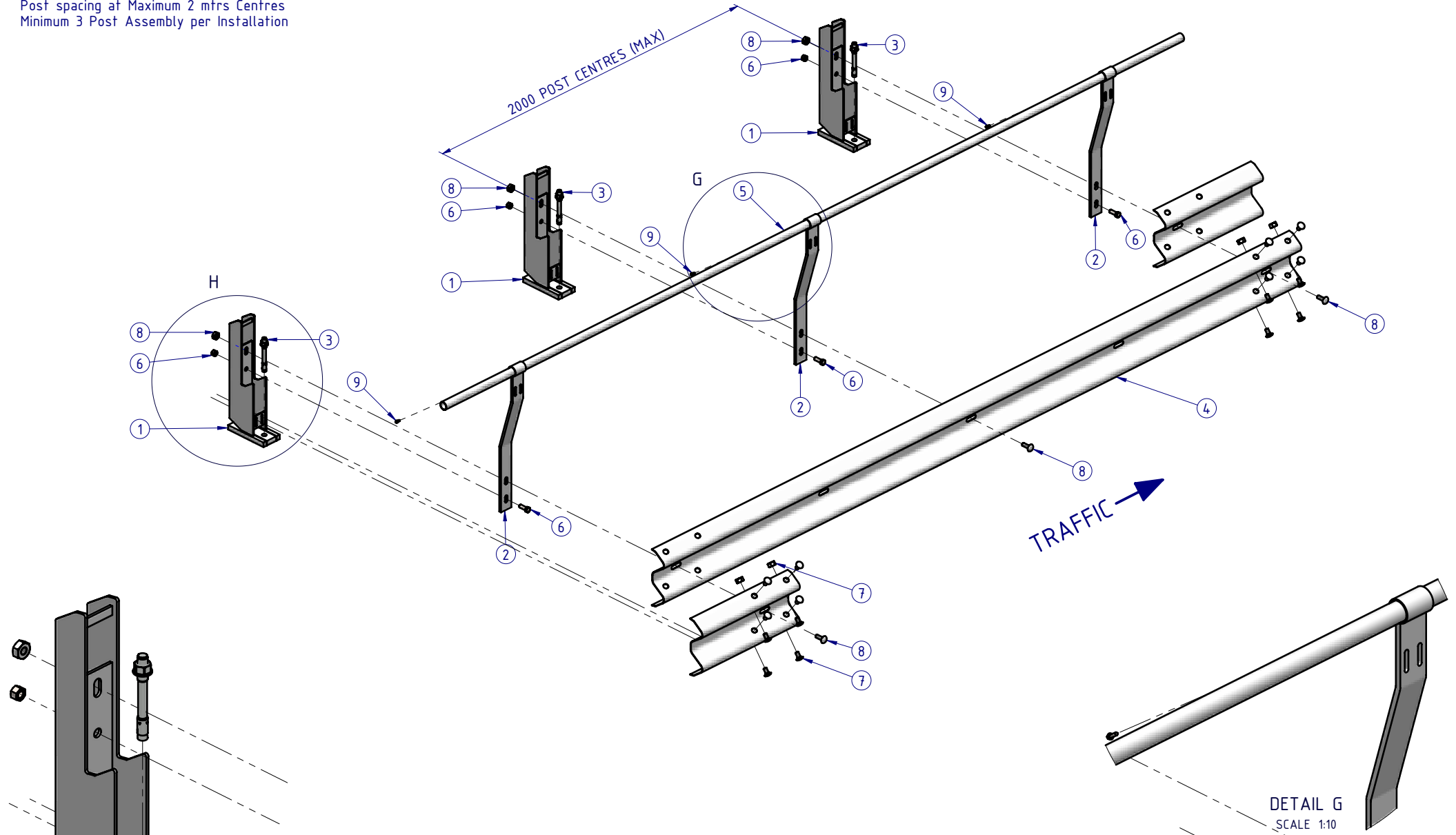
THIRD ANGLE PROJECTION

**APPROVED**

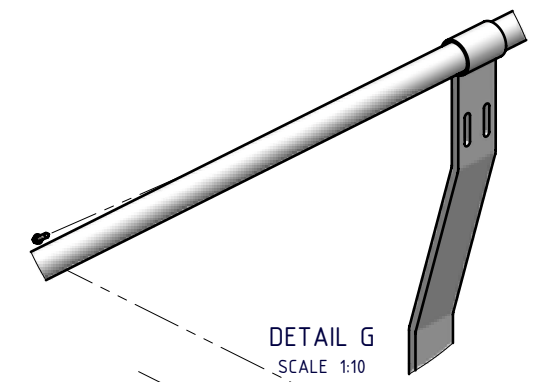
TITLE: Carpark Barriers - RhinoStop® Standard Rhino-Stop® Standard Type 3 GuardRail & Nearside Balustrade General Arrangement			
DWG NO. SD-CP-01003	REVISION: D	SHEET SIZE: A4	
WEIGHT: 659.2kg	DO NOT SCALE DRAWING	SCALE: 1:25	SHEET 1 of 3

Rhino-Stop has been assessed to exceed the 30kN impact load as described in AS/NZS 1170.1 clause 3.8 a) i) for Light Traffic Areas, based on:



- Post spacing at Maximum 2 mtrs Centres
- Minimum 3 Post Assembly per Installation



DETAIL H  
SCALE 1:10

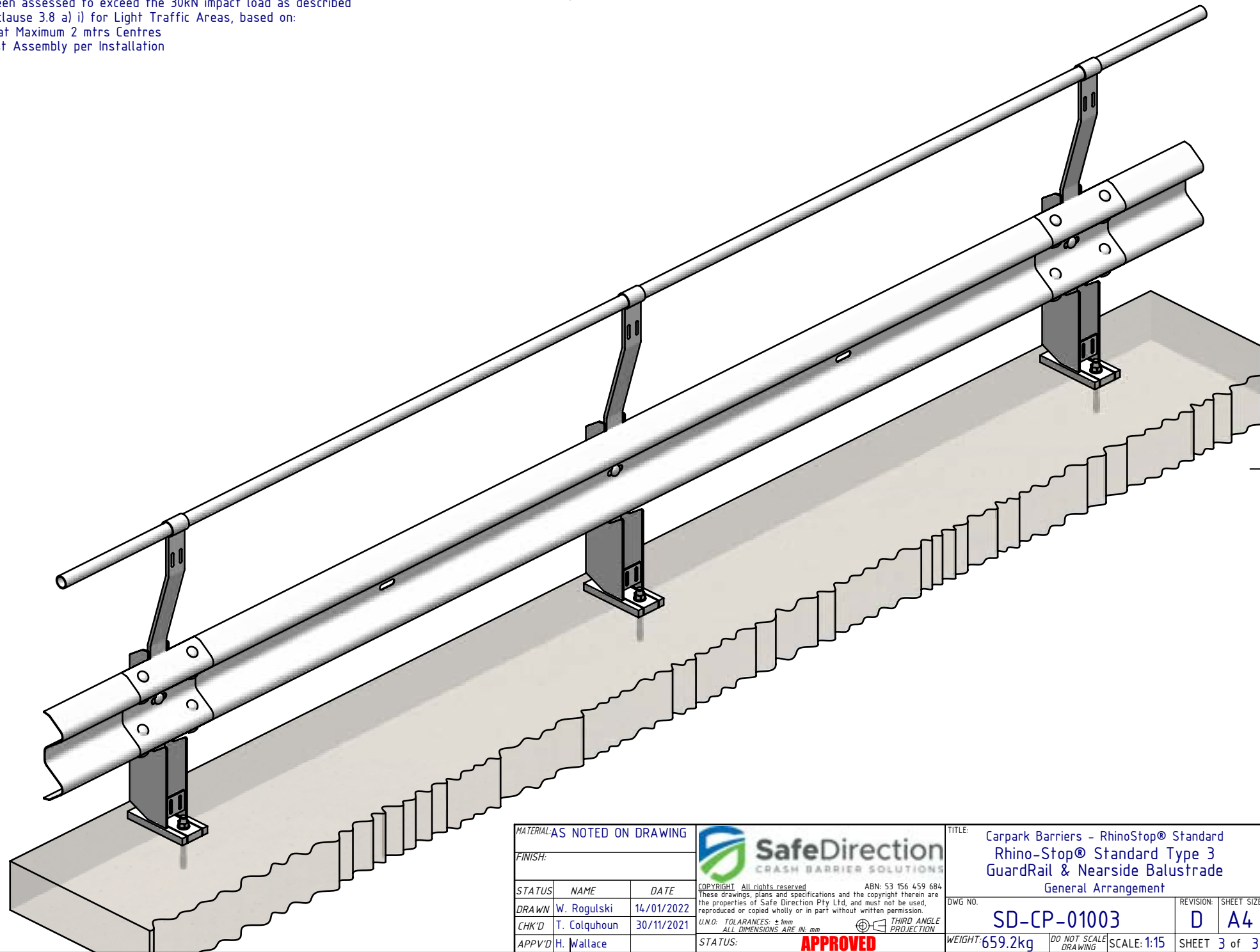


DETAIL G  
SCALE 1:10

MATERIAL: AS NOTED ON DRAWING			 <p><b>SafeDirection</b> CRASH BARRIER SOLUTIONS</p>	TITLE: Carpark Barriers - RhinoStop® Standard Rhino-Stop® Standard Type 3 GuardRail & Nearside Balustrade General Arrangement			
FINISH:				<small>COPYRIGHT All rights reserved. ABN: 53 156 459 684. These drawings, plans and specifications and the copyright therein are the properties of Safe Direction Pty Ltd, and must not be used, reproduced or copied wholly or in part without written permission.</small>			
STATUS	NAME	DATE	<small>U.N.O. TOLERANCES: ±1mm ALL DIMENSIONS ARE IN: mm</small> 	DWG NO.	REVISION:	SHEET SIZE	
DRAWN	W. Rogulski	14/01/2022		SD-CP-01003	D	A4	
CHK'D	T. Colquhoun	30/11/2021		WEIGHT: 659.2kg	DO NOT SCALE DRAWING	SCALE: 1:25	SHEET 2 of 3
APPV'D	H. Wallace			STATUS: <b>APPROVED</b>	<small>Thursday, 11 March 2022 9:51:06 AM</small>		

Rhino-Stop has been assessed to exceed the 30kN impact load as described in AS/NZS 1170.1 clause 3.8 a) i) for Light Traffic Areas, based on:

- Post spacing at Maximum 2 mtrs Centres
- Minimum 3 Post Assembly per Installation



MATERIAL: AS NOTED ON DRAWING		
FINISH:		
STATUS	NAME	DATE
DRAWN	W. Rogulski	14/01/2022
CHK'D	T. Colquhoun	30/11/2021
APPV'D	H. Wallace	

**SafeDirection**  
CRASH BARRIER SOLUTIONS

COPYRIGHT All rights reserved. ABN: 53 156 459 684  
These drawings, plans and specifications and the copyright therein are the properties of Safe Direction Pty Ltd, and must not be used, reproduced or copied wholly or in part without written permission.

U.N.O. TOLERANCES: ±1mm  
ALL DIMENSIONS ARE IN: mm

**APPROVED**

THIRD ANGLE PROJECTION

TITLE: Carpark Barriers - RhinoStop® Standard Rhino-Stop® Standard Type 3 GuardRail & Nearside Balustrade General Arrangement			
DWG NO.	REVISION:	SHEET SIZE	
SD-CP-01003	D	A4	
WEIGHT: 659.2kg	DO NOT SCALE DRAWING	SCALE: 1:15	SHEET 3 of 3