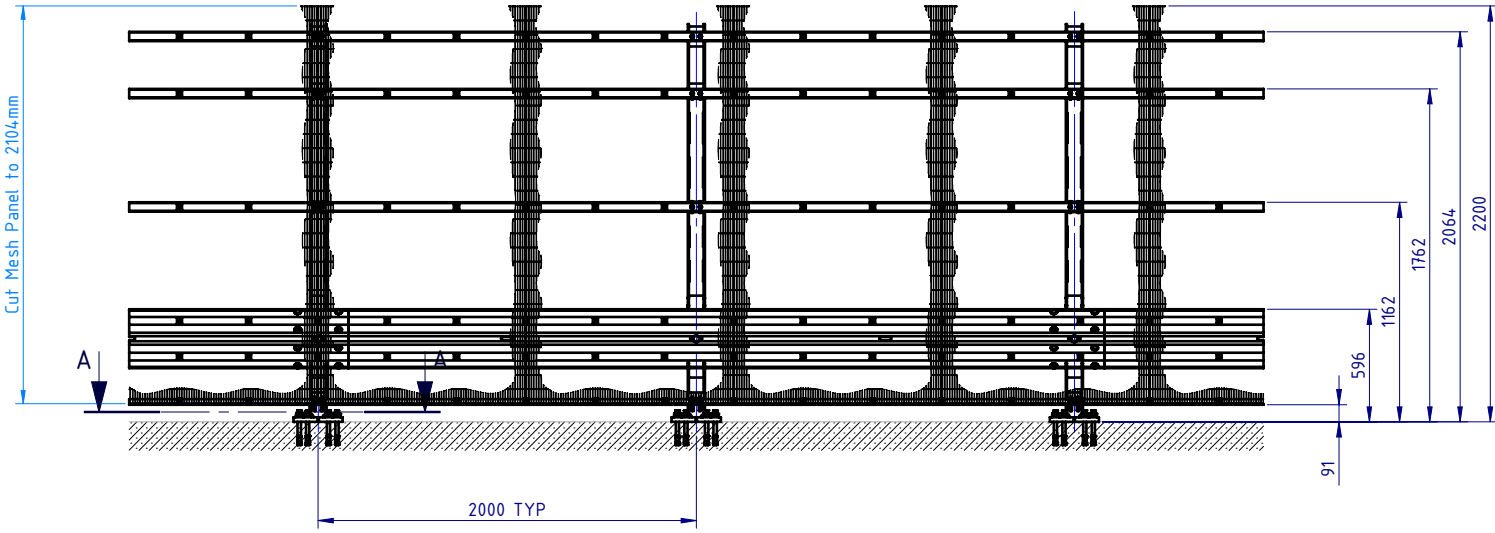


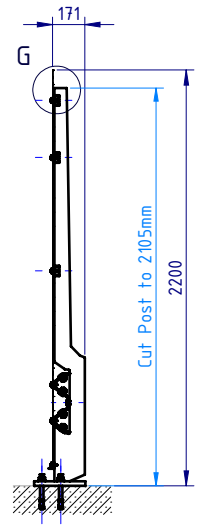
REVISIONS				
REV.	ZONE	DESCRIPTION	DATE	APPV'D
A		Original Issue	15/03/2022	HW



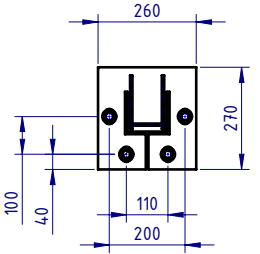
PLAN VIEW



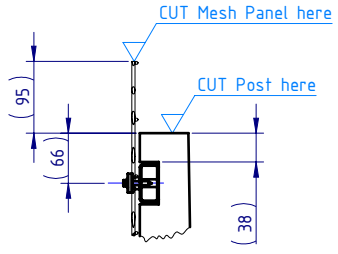
FRONT ELEVATION



SIDE ELEVATION



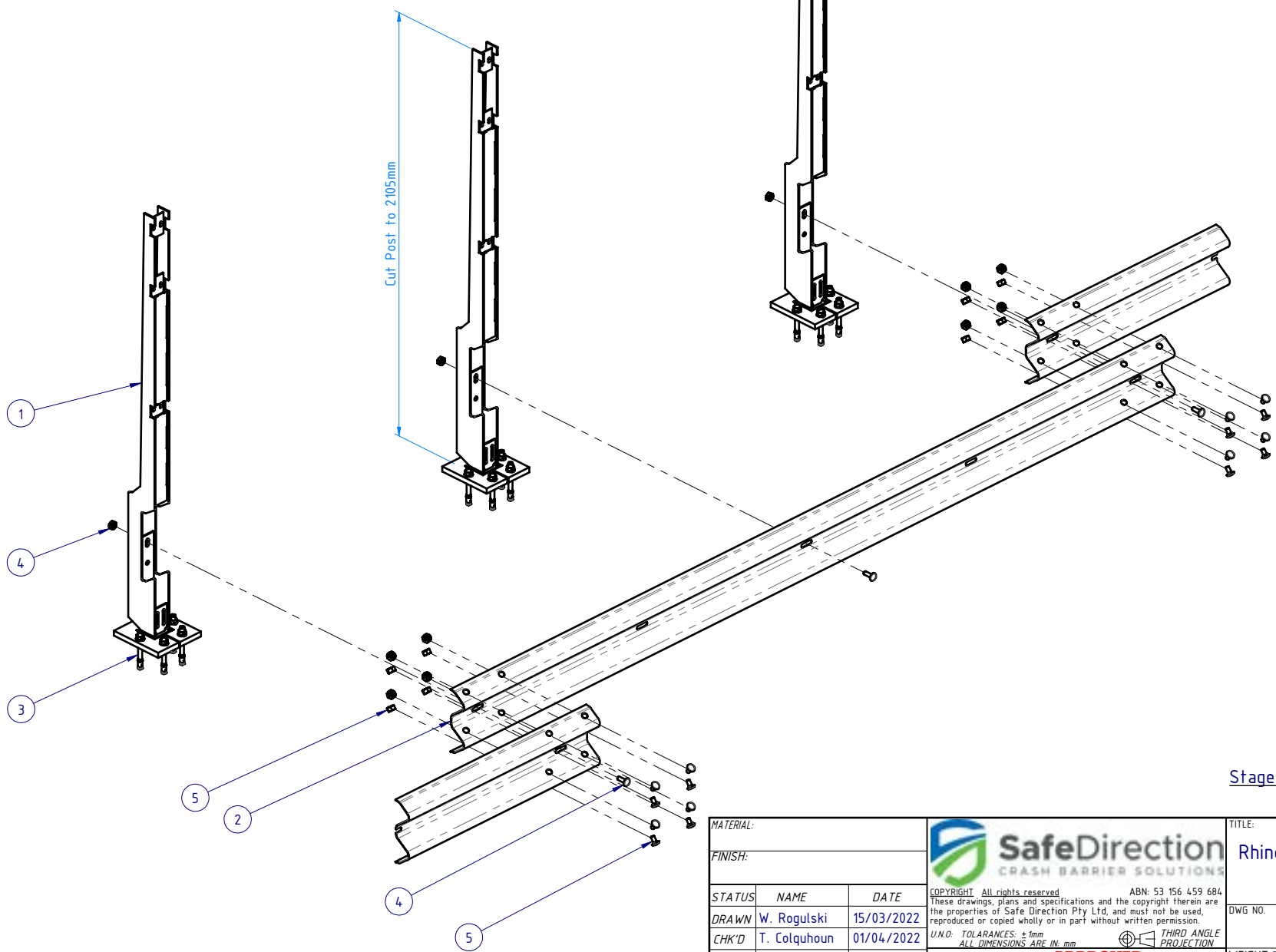
SECTION A-A
Base Plate Detail
SCALE 1:20




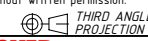
DETAIL G
Cutting Detail
SCALE 1:10

MATERIAL:			 SafeDirection CRASH BARRIER SOLUTIONS		TITLE: Carpark Barriers - Rhino-Stop® Screen RhinoStop® Screen Type 4, 2200mm High General Arrangement			
FINISH:					COPYRIGHT: All rights reserved. ABN: 53 156 459 684 These drawings, plans and specifications and the copyright therein are the properties of Safe Direction Pty Ltd, and must not be used, reproduced or copied wholly or in part without written permission.		DWG NO.	REVISION:
STATUS	NAME	DATE	U.N.O: TOLARANCES: ±1mm ALL DIMENSIONS ARE IN: mm		SD-CP-06004		A	A4
DRAWN	W. Rogulski	15/03/2022	THIRD ANGLE PROJECTION		WEIGHT: 240.8kg	DO NOT SCALE DRAWING	SCALE: 1:40	SHEET 1 of 7
CHK'D	T. Colquhoun	01/04/2022	APPROVED					
APPV'D	H. Wallace	01/04/2022	STATUS:					

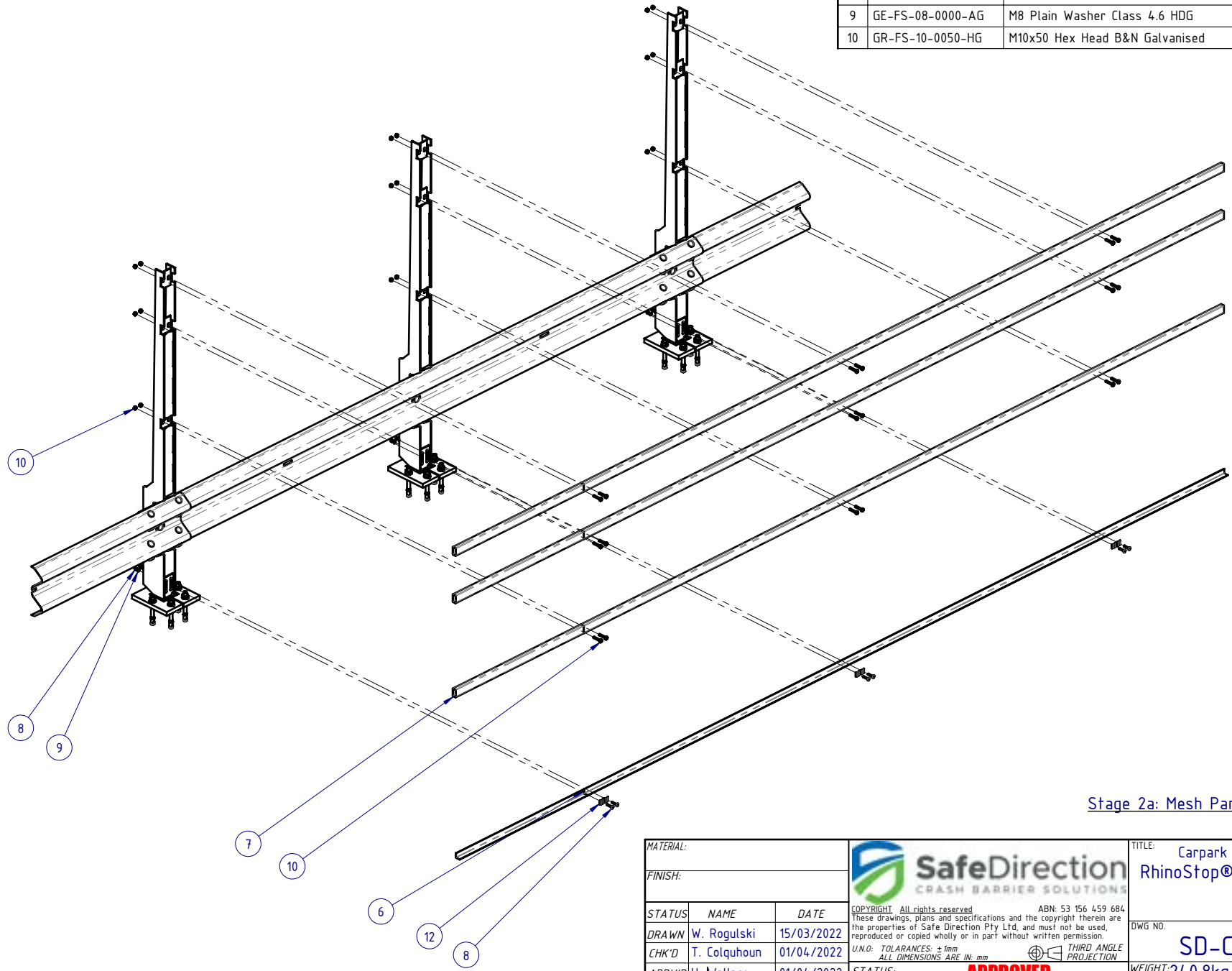
BOM			
ITEM NO.	PART NUMBER	DESCRIPTION	Weight kg
1	GR-PB-IS-2360-AG	Rhino-Stop® Screen Post 2360mm high	35.2
2	GR-WB-SR-4000-CG	W-Beam Guardrail 4.0M NLL, 1.0M CTRS	43.3
3	GR-FS-20-0187-HG	FISCHER FBN II, M20x187mm	0.5
4	GR-FS-16-0050-MG	M16x50 POST Hex Bolt & Nut Assy	0.2
5	GR-FS-16-0032-MG	M16x32 SPLICE Hex Bolt & Oversize Nut Assy	0.2




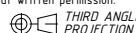
Stage 1: Post and Rail Assembly

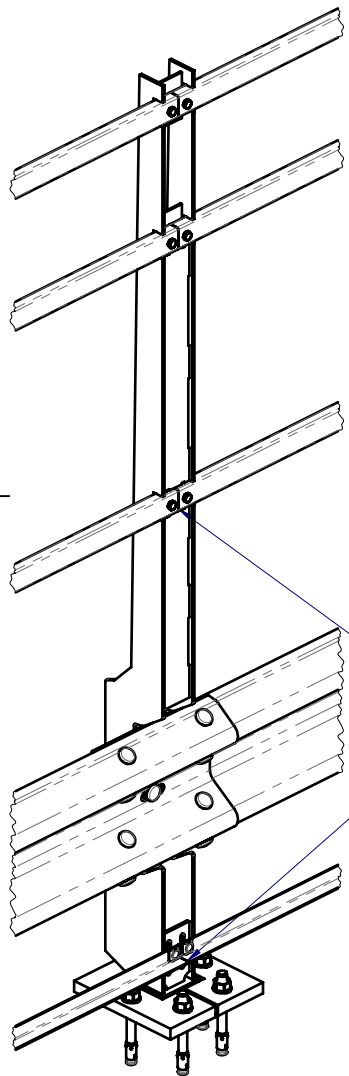
MATERIAL:		 SafeDirection CRASH BARRIER SOLUTIONS	TITLE: Carpark Barriers - Rhino-Stop® Screen RhinoStop® Screen Type 4, 2200mm High		
FINISH:			General Arrangement		
STATUS	NAME	DATE	DWG NO.	REVISION:	SHEET SIZE
DRAWN	W. Rogulski	15/03/2022	SD-CP-06004	A	A4
CHK'D	T. Colquhoun	01/04/2022			
APPV'D	H. Wallace	01/04/2022			
COPYRIGHT: All rights reserved. ABN: 53 156 459 684 These drawings, plans and specifications and the copyright therein are the properties of Safe Direction Pty Ltd, and must not be used, reproduced or copied wholly or in part without written permission.			WEIGHT: 240.8kg	DO NOT SCALE DRAWING	SCALE: 1:25
U.N.O. TOLERANCES: ±1mm ALL DIMENSIONS ARE IN: mm			 THIRD ANGLE PROJECTION		SHEET 2 of 7
STATUS: APPROVED			Friday, 1 April 2022 10:36:31 AM		

BOM			Weight kg
ITEM NO.	PART NUMBER	DESCRIPTION	
6	GR-EA-30-6000-BG	Mesh Support Angle	6.6
7	GR-RH-SR-5025-AG	RHS 50x25x2.0mm, 8000mm Long Galvanised AS1163-C350	17.2
8	GR-FS-08-0040-MG	M8x40 Square Neck Small Cup Head Bolt & Nut Assy	0.0
9	GE-FS-08-0000-AG	M8 Plain Washer Class 4.6 HDG	
10	GR-FS-10-0050-HG	M10x50 Hex Head B&N Galvanised	0.0



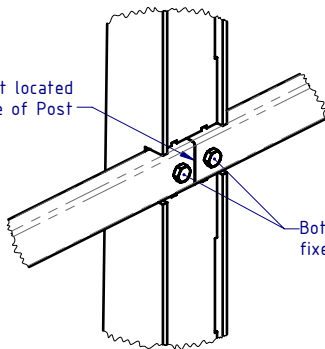
Stage 2a: Mesh Panel Support Elements Assembly

MATERIAL:			 SafeDirection CRASH BARRIER SOLUTIONS		TITLE: Carpark Barriers - Rhino-Stop® Screen RhinoStop® Screen Type 4, 2200mm High		
FINISH:					General Arrangement		
STATUS	NAME	DATE	<small>COPYRIGHT: All rights reserved. ABN: 53 156 459 684</small> <small>These drawings, plans and specifications and the copyright therein are the properties of Safe Direction Pty Ltd, and must not be used, reproduced or copied wholly or in part without written permission.</small>		DWG NO.	REVISION:	SHEET SIZE
DRAWN	W. Rogulski	15/03/2022	<small>U.N.O. TOLERANCES: ±1mm</small> <small>ALL DIMENSIONS ARE IN: mm</small>		 THIRD ANGLE PROJECTION	SD-CP-06004	A A4
CHK'D	T. Colquhoun	01/04/2022	<small>U.N.O. TOLERANCES: ±1mm</small> <small>ALL DIMENSIONS ARE IN: mm</small>				
APPV'D	H. Wallace	01/04/2022	APPROVED		<small>DO NOT SCALE DRAWING</small>		



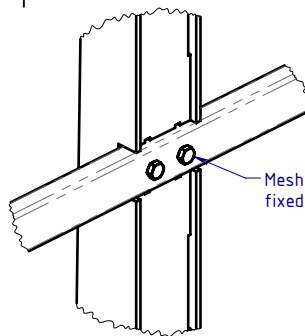
DETAIL B
SCALE 1:15

RHS butt-joint located at centre of Post



DETAIL D
SCALE 1:7.5

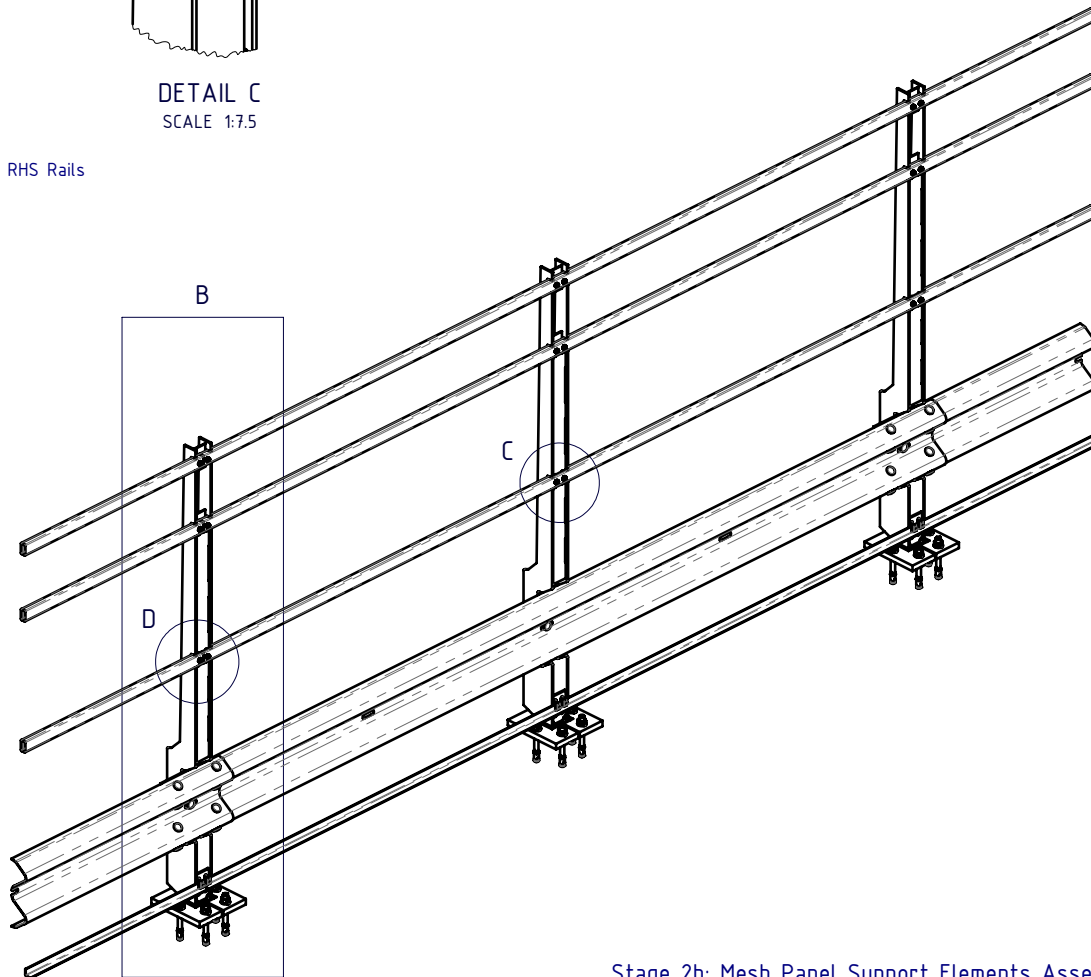
Both Mesh Support RHS Rails fixed to Post




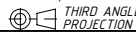
DETAIL C
SCALE 1:7.5

Mesh Support RHS Rail fixed with 2 bolts.

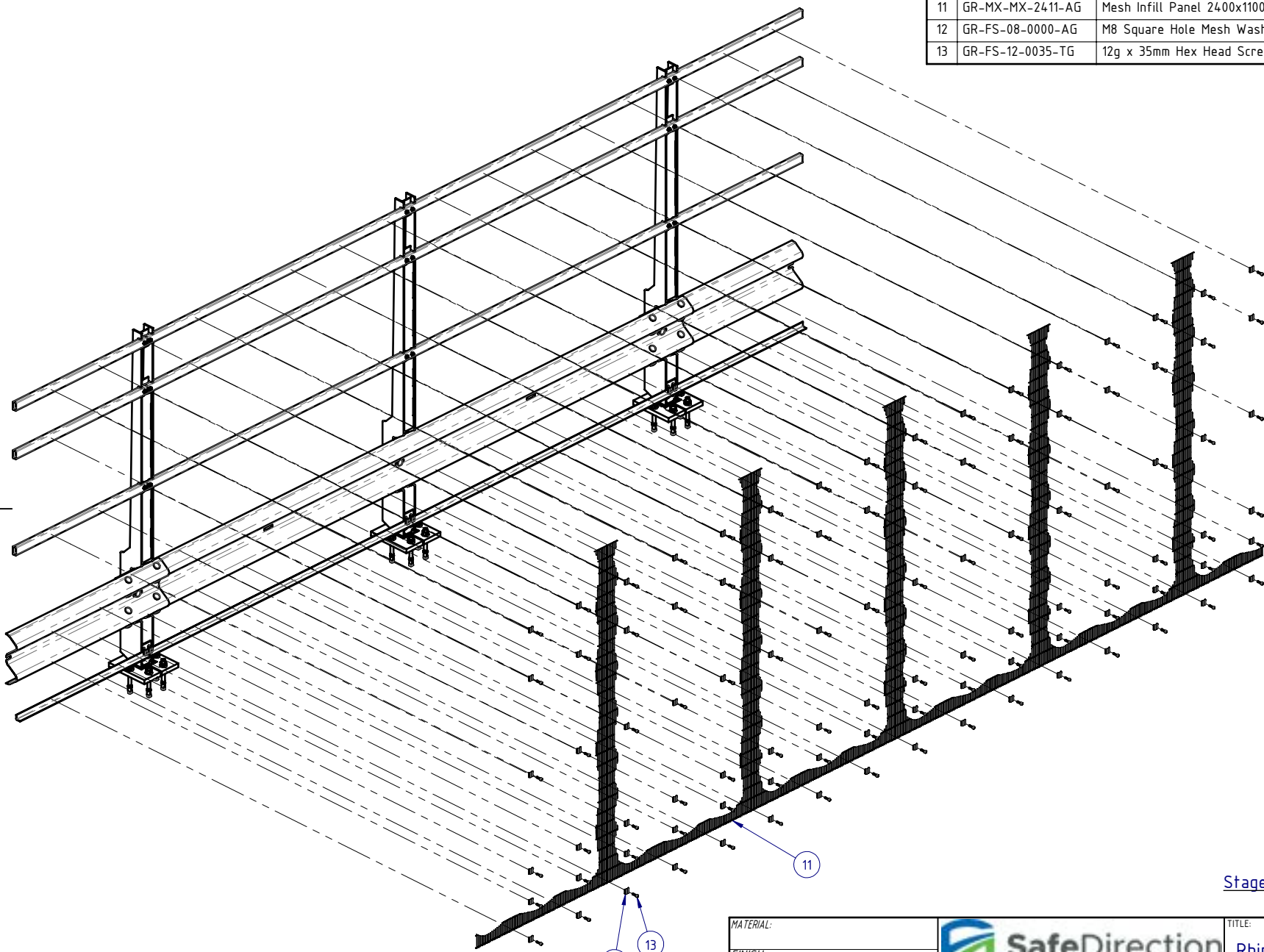
All RHS & Angle Mesh Support Rails MUST be installed with the butt-joint located at centre of Post, and fixed to Post with 2 bolts at all Post locations.




Stage 2b: Mesh Panel Support Elements Assembly

MATERIAL:			 <p>SafeDirection CRASH BARRIER SOLUTIONS</p>		TITLE: Carpark Barriers - Rhino-Stop® Screen RhinoStop® Screen Type 4, 2200mm High			
FINISH:					General Arrangement			
STATUS	NAME	DATE	<small>COPYRIGHT All rights reserved. ABN: 53 156 459 684 These drawings, plans and specifications and the copyright therein are the properties of Safe Direction Pty Ltd, and must not be used, reproduced or copied wholly or in part without written permission.</small>			DWG NO.	REVISION:	SHEET SIZE
DRAWN	W. Rogulski	15/03/2022	<small>U.N.O. TOLERANCES: ±1mm ALL DIMENSIONS ARE IN: mm</small>			SD-CP-06004	A	A4
CHK'D	T. Colquhoun	01/04/2022				WEIGHT: 240.8kg	DO NOT SCALE DRAWING	SCALE: 1:30
APPV'D	H. Wallace	01/04/2022	APPROVED			SHEET 4 of 7		

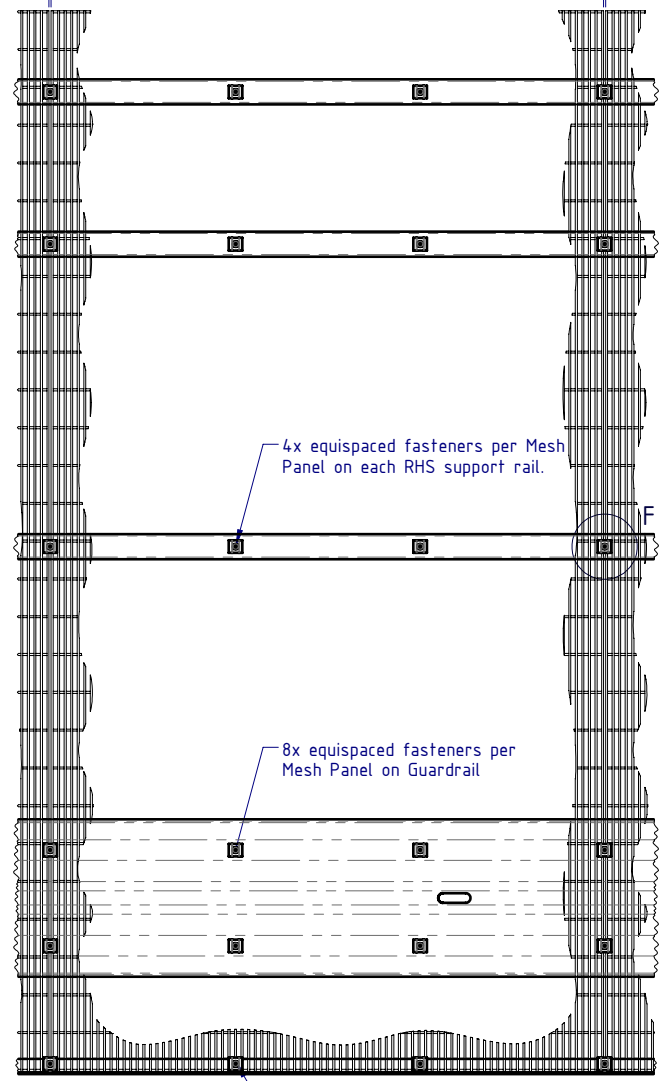
BOM			Weight kg
ITEM NO.	PART NUMBER	DESCRIPTION	
11	GR-MX-MX-2411-AG	Mesh Infill Panel 2400x1100, Ø4 wire, 71x9 aparture	4.4
12	GR-FS-08-0000-AG	M8 Square Hole Mesh Washer	0.0
13	GR-FS-12-0035-TG	12g x 35mm Hex Head Screw Self Tapping, 10 tpi, Class5, B8 Coating	



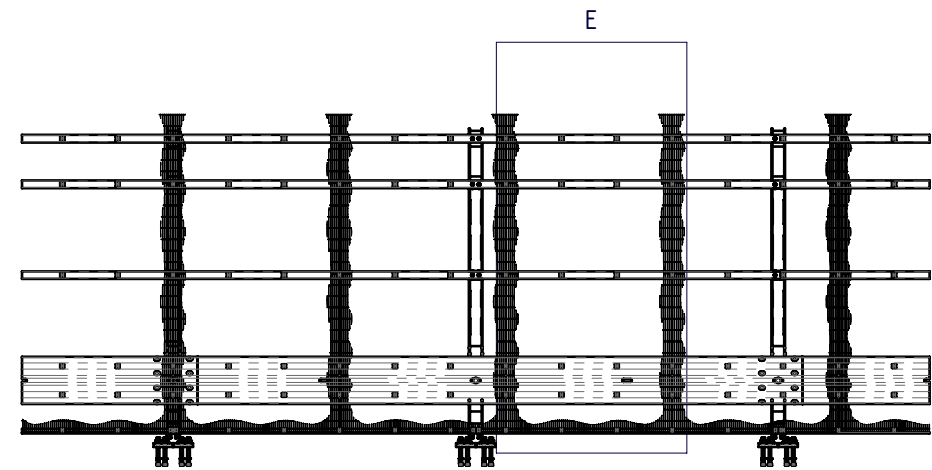
Stage 3a: Mesh Panel Assembly

MATERIAL:		 SafeDirection CRASH BARRIER SOLUTIONS	TITLE: Carpark Barriers - Rhino-Stop® Screen RhinoStop® Screen Type 4, 2200mm High		
FINISH:			General Arrangement		
STATUS	NAME	DATE	DWG NO.	REVISION:	SHEET SIZE
DRAWN	W. Rogulski	15/03/2022	SD-CP-06004	A	A4
CHK'D	T. Colquhoun	01/04/2022			
APPV'D	H. Wallace	01/04/2022			
U.N.O: TOLARANCES: ±1mm ALL DIMENSIONS ARE IN: mm			THIRD ANGLE PROJECTION		
STATUS: APPROVED			WEIGHT: 240.8kg	DO NOT SCALE DRAWING	SCALE: 1:30
C:\SDSY\SD\Assembly\SD-CP Carpark Barriers\SD-CP-06000 RhinoStop Screen\SD-CP-06004 - RhinoStop Screen Type 4, 2200mm High			Friday, 1 April 2022 10:36:31 AM		

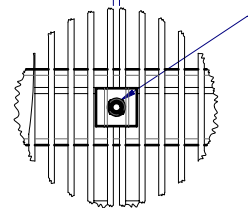
Mesh Panel Mesh Panel Mesh Panel



DETAIL E
SCALE 1:15



Mesh Panel Mesh Panel



DETAIL F
SCALE 1:5

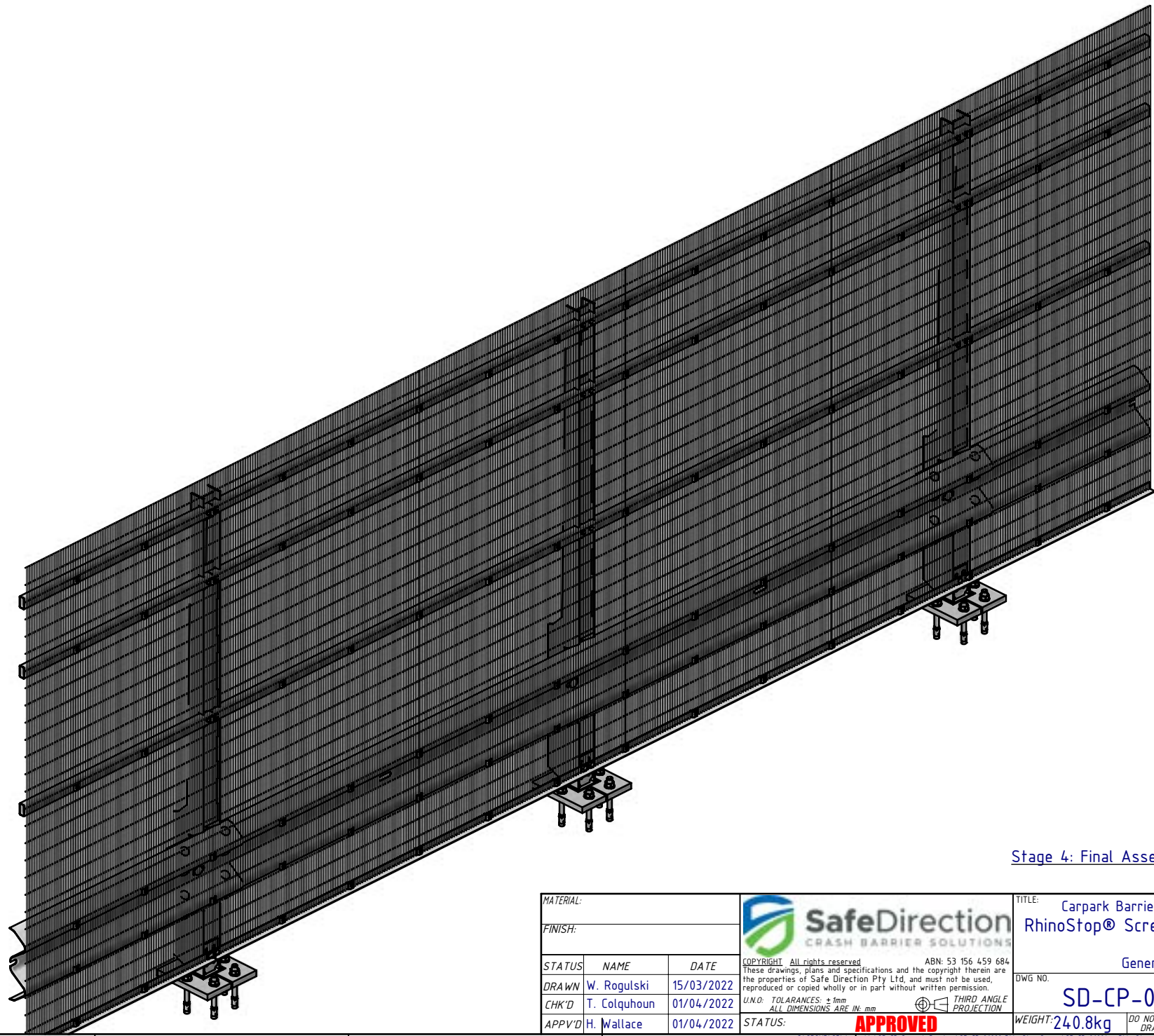
Fastener located between Mesh Panels, with Profiled Mesh Washer lapping both Mesh Panels. TYP

Mesh Panel Assembly Notes:


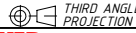
1. Position first Mesh Panel in Portrait orientation, resting on bottom EA support rail.
2. Position adjacent Mesh Panels with a 5-10mm gap to allow for fixing screw between each Panel.
3. Fix Mesh Panels as indicated in Detail E and Detail F views.
4. Each Mesh Panel to be fixed with 24x Self Tapping Screws and Profiled Mesh Washers.

Stage 3b: Mesh Panel Assembly

MATERIAL:					TITLE: Carpark Barriers - Rhino-Stop® Screen RhinoStop® Screen Type 4, 2200mm High				
FINISH:					General Arrangement				
STATUS	NAME	DATE	<small>COPYRIGHT. All rights reserved. ABN: 53 156 459 684</small> <small>These drawings, plans and specifications and the copyright therein are the properties of Safe Direction Pty Ltd, and must not be used, reproduced or copied wholly or in part without written permission.</small>		DWG NO.	REVISION:	SHEET SIZE		
DRAWN	W. Rogulski	15/03/2022	<small>U.N.O. TOLERANCES: ±1mm</small> <small>ALL DIMENSIONS ARE IN: mm</small>		SD-CP-06004		A A4		
CHK'D	T. Colquhoun	01/04/2022			THIRD ANGLE PROJECTION	WEIGHT: 240.8kg	DO NOT SCALE DRAWING	SCALE: 1:50	SHEET 6 of 7
APPV'D	H. Wallace	01/04/2022			STATUS: APPROVED				



Stage 4: Final Assembly

MATERIAL:			 <p>SafeDirection CRASH BARRIER SOLUTIONS</p>		TITLE: Carpark Barriers - Rhino-Stop® Screen RhinoStop® Screen Type 4, 2200mm High			
FINISH:					General Arrangement			
STATUS	NAME	DATE	<small>COPYRIGHT All rights reserved ABN: 53 156 459 684 These drawings, plans and specifications and the copyright therein are the properties of Safe Direction Pty Ltd, and must not be used, reproduced or copied wholly or in part without written permission.</small>		DWG NO.	REVISION:	SHEET SIZE	
DRAWN	W. Rogulski	15/03/2022	<small>U.N.O. TOLERANCES: ±1mm ALL DIMENSIONS ARE IN: mm</small> 		SD-CP-06004		A A4	
CHK'D	T. Colquhoun	01/04/2022			WEIGHT: 240.8kg	DO NOT SCALE DRAWING	SCALE: 1:20	SHEET 7 of 7
APPV'D	H. Wallace	01/04/2022			APPROVED			