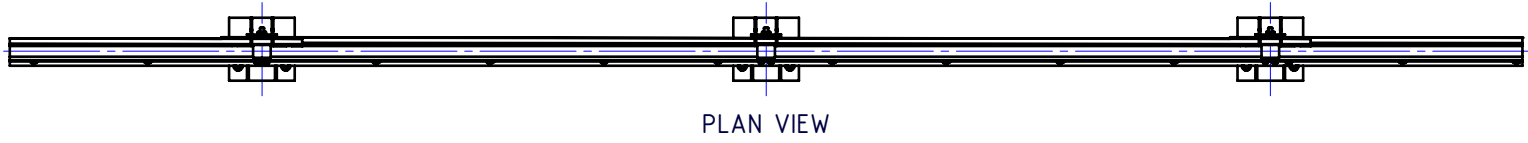
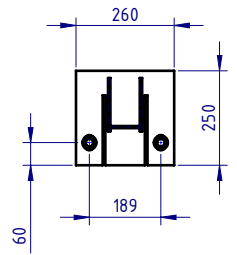


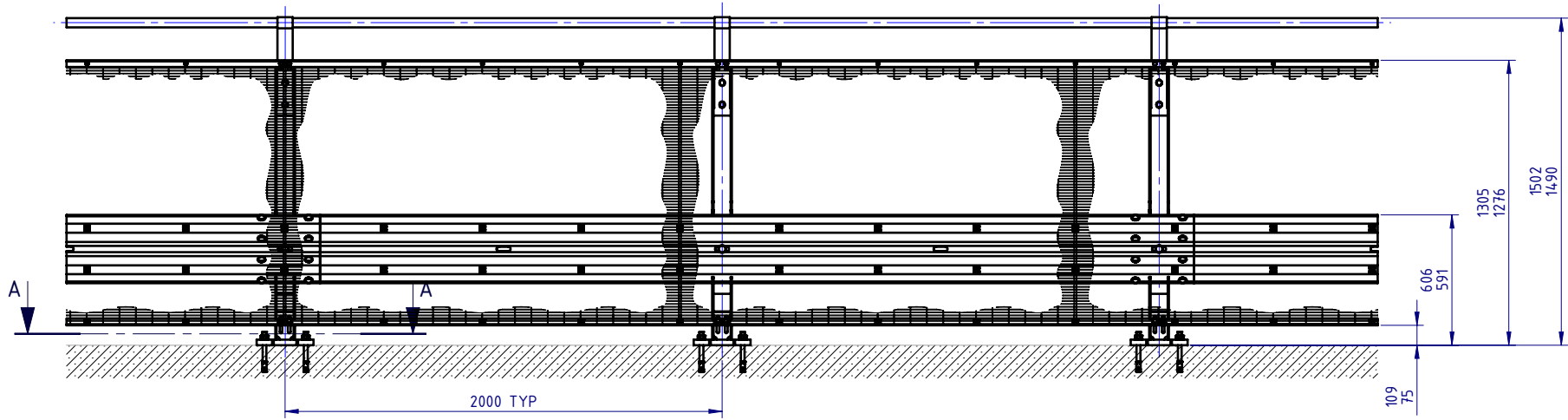
REVISIONS				
REV.	ZONE	DESCRIPTION	DATE	APPV'D
A		Original Issue	31/03/2022	HW



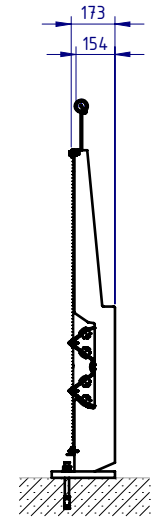
PLAN VIEW




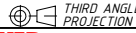

SECTION A-A
Base Plate Detail
SCALE 1:20



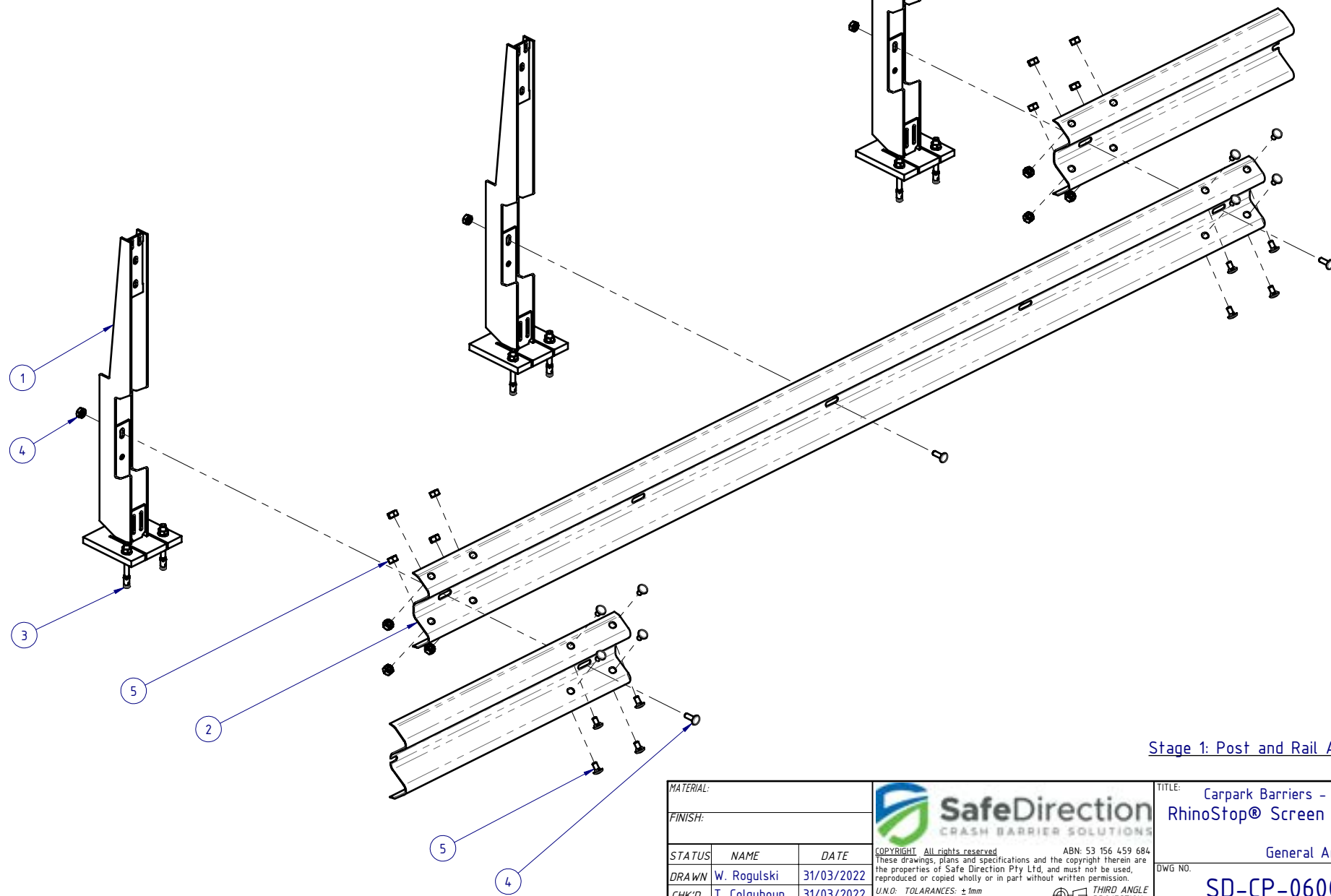
FRONT ELEVATION




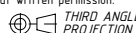
SIDE ELEVATION

MATERIAL:			 <p>SafeDirection CRASH BARRIER SOLUTIONS</p>		TITLE: Carpark Barriers - Rhino-Stop® Screen RhinoStop® Screen Type 2, 1500mm High			
FINISH:					General Arrangement			
STATUS	NAME	DATE	<small>COPYRIGHT All rights reserved. ABN: 53 156 459 684 These drawings, plans and specifications and the copyright therein are the properties of Safe Direction Pty Ltd, and must not be used, reproduced or copied wholly or in part without written permission.</small> <small>U.N.O. TOLERANCES: ±1mm ALL DIMENSIONS ARE IN: mm</small>			DWG NO.	REVISION:	SHEET SIZE
DRAWN	W. Rogulski	31/03/2022				SD-CP-06002	A	A4
CHK'D	T. Colquhoun	31/03/2022						
APPV'D	H. Wallace	31/03/2022						
<small>U.N.O. TOLERANCES: ±1mm ALL DIMENSIONS ARE IN: mm</small>					<small>DO NOT SCALE DRAWING</small>			

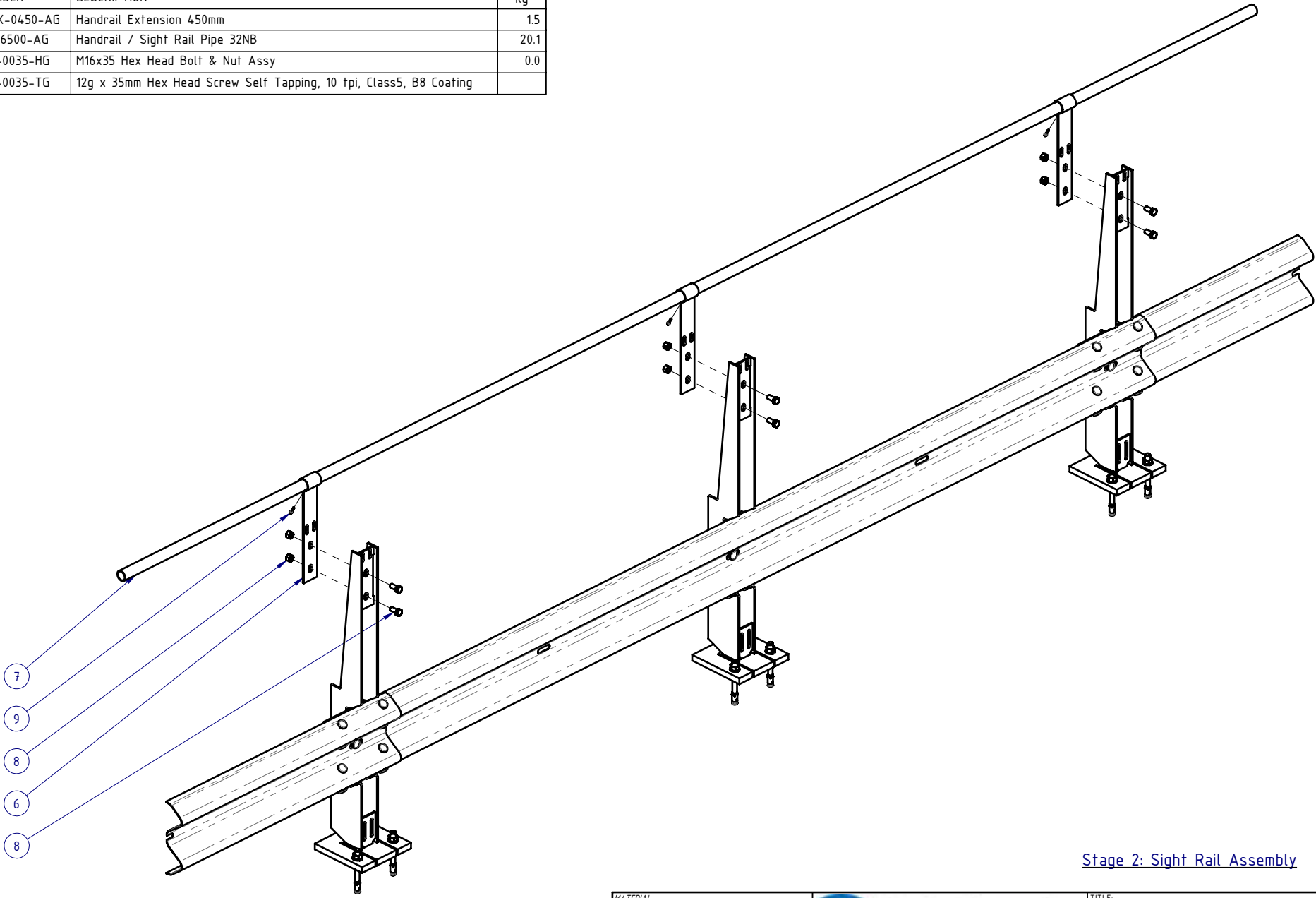
BOM			
ITEM NO.	PART NUMBER	DESCRIPTION	Weight kg
1	GR-PB-IS-1300-AG	Rhino-Stop® Screen Post 1300mm high	25.6
2	GR-WB-SR-4000-CG	W-Beam Guardrail 4.0M NLL, 1.0M CTRS	43.3
3	GR-FS-20-0187-HG	FISCHER FBN II, M20x187mm	0.5
4	GR-FS-16-0050-MG	M16x50 POST Hex Bolt & Nut Assy	0.2
5	GR-FS-16-0032-MG	M16x32 SPLICE Hex Bolt & Oversize Nut Assy	0.2




Stage 1: Post and Rail Assembly

MATERIAL:					TITLE: Carpark Barriers - Rhino-Stop® Screen RhinoStop® Screen Type 2, 1500mm High				
FINISH:					General Arrangement				
STATUS	NAME	DATE	<small>COPYRIGHT All rights reserved. ABN: 53 156 459 684</small> <small>These drawings, plans and specifications and the copyright therein are the properties of Safe Direction Pty Ltd, and must not be used, reproduced or copied wholly or in part without written permission.</small>			DWG NO.	REVISION:	SHEET SIZE	
DRAWN	W. Rogulski	31/03/2022	<small>U.N.O. TOLERANCES: ±1mm</small> <small>ALL DIMENSIONS ARE IN: mm</small>				SD-CP-06002	A A4	
CHK'D	T. Colquhoun	31/03/2022	<small>THIRD ANGLE PROJECTION</small>						
APPV'D	H. Wallace	31/03/2022	APPROVED			WEIGHT: 199.2kg	DO NOT SCALE DRAWING	SCALE: 1:20	SHEET 2 of 8

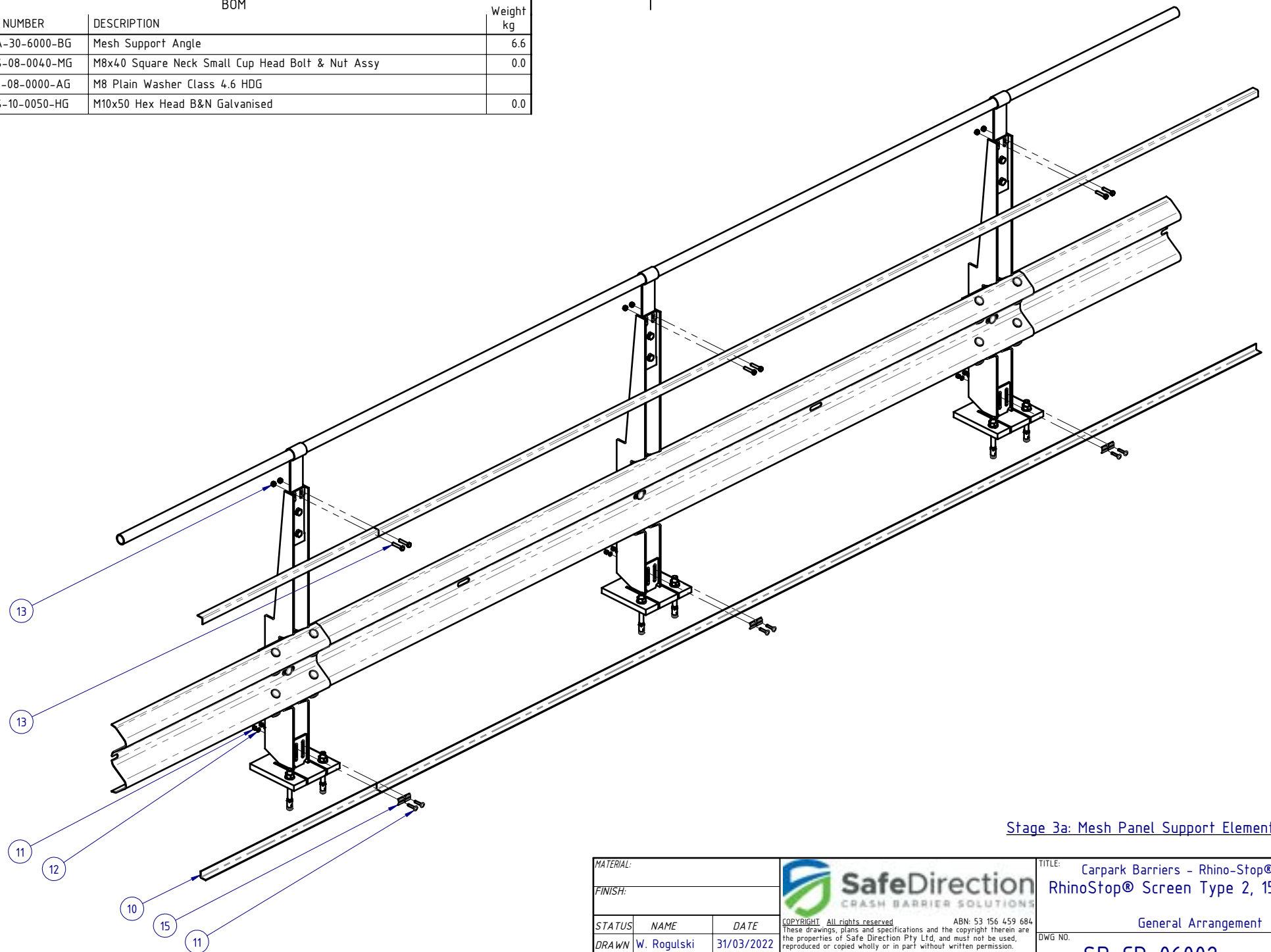
BOM			
ITEM NO.	PART NUMBER	DESCRIPTION	Weight kg
6	GR-MX-MX-0450-AG	Handrail Extension 450mm	1.5
7	HR-PI-32-6500-AG	Handrail / Sight Rail Pipe 32NB	20.1
8	GR-FS-16-0035-HG	M16x35 Hex Head Bolt & Nut Assy	0.0
9	GR-FS-12-0035-TG	12g x 35mm Hex Head Screw Self Tapping, 10 tpi, Class5, B8 Coating	




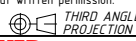
Stage 2: Sight Rail Assembly

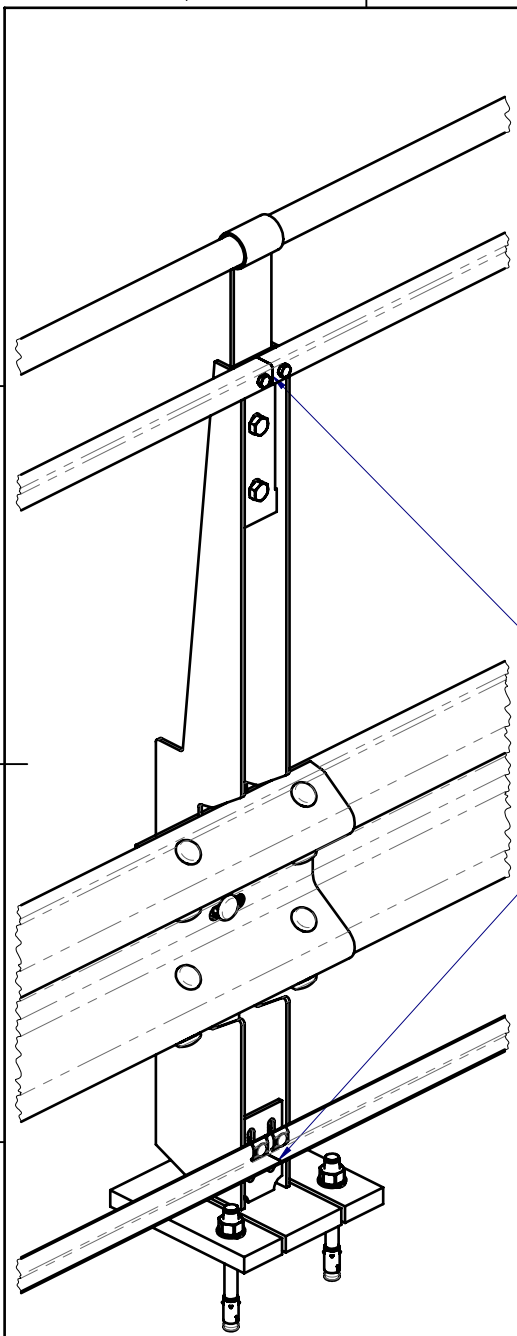
MATERIAL:			 SafeDirection CRASH BARRIER SOLUTIONS		TITLE: Carpark Barriers - Rhino-Stop® Screen RhinoStop® Screen Type 2, 1500mm High			
FINISH:					General Arrangement			
STATUS	NAME	DATE	<small>COPYRIGHT All rights reserved ABN: 53 156 459 684</small> <small>These drawings, plans and specifications and the copyright therein are the properties of Safe Direction Pty Ltd, and must not be used, reproduced or copied wholly or in part without written permission.</small> <small>U.N.O. TOLERANCES: ±1mm ALL DIMENSIONS ARE IN: mm</small>			DWG NO.	REVISION:	SHEET SIZE
DRAWN	W. Rogulski	31/03/2022				SD-CP-06002	A	A4
CHK'D	T. Colquhoun	31/03/2022				<small>THIRD ANGLE PROJECTION</small>		
APPV'D	H. Wallace	31/03/2022						
STATUS:			APPROVED		<small>C:\SDSYD\SD\Assemblies\SD-CP Carpark Barriers\SD-CP-06000 RhinoStop Screens\SD-CP-06002 - RhinoStop Screen Type 2, 1500mm High</small>			

BOM			
ITEM NO.	PART NUMBER	DESCRIPTION	Weight kg
10	GR-EA-30-6000-BG	Mesh Support Angle	6.6
11	GR-FS-08-0040-MG	M8x40 Square Neck Small Cup Head Bolt & Nut Assy	0.0
12	GE-FS-08-0000-AG	M8 Plain Washer Class 4.6 HDG	
13	GR-FS-10-0050-HG	M10x50 Hex Head B&N Galvanised	0.0

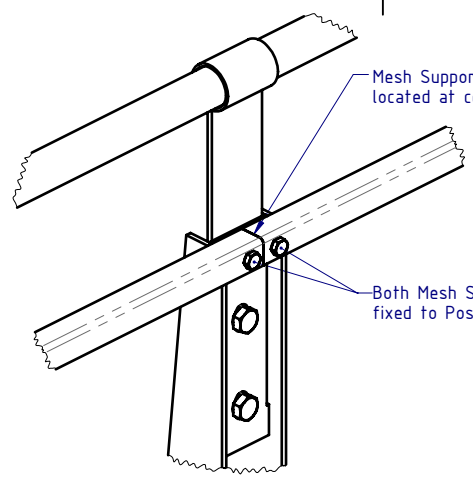


Stage 3a: Mesh Panel Support Elements Assembly

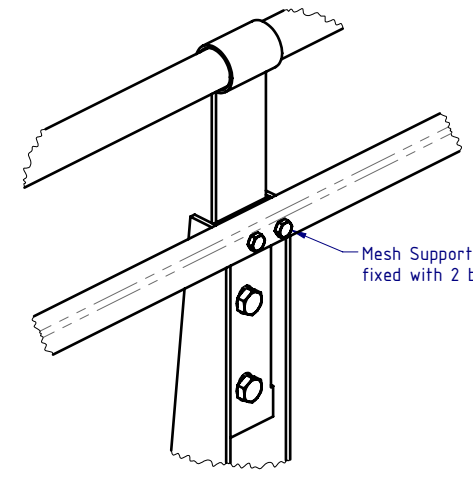
MATERIAL:			 SafeDirection CRASH BARRIER SOLUTIONS		TITLE: Carpark Barriers - Rhino-Stop® Screen RhinoStop® Screen Type 2, 1500mm High			
FINISH:					General Arrangement			
STATUS	NAME	DATE	<small>COPYRIGHT All rights reserved ABN: 53 156 459 684</small> <small>These drawings, plans and specifications and the copyright therein are the properties of Safe Direction Pty Ltd, and must not be used, reproduced or copied wholly or in part without written permission.</small>			DWG NO.	REVISION:	SHEET SIZE
DRAWN	W. Rogulski	31/03/2022	<small>U.N.O. TOLERANCES: ±1mm</small> <small>ALL DIMENSIONS ARE IN: mm</small>			 THIRD ANGLE PROJECTION	SD-CP-06002	A A4
CHK'D	T. Colquhoun	31/03/2022	<small>U.N.O. TOLERANCES: ±1mm</small> <small>ALL DIMENSIONS ARE IN: mm</small>					
APPV'D	H. Wallace	31/03/2022	APPROVED			<small>DO NOT SCALE DRAWING</small>		



DETAIL B
SCALE 1:10

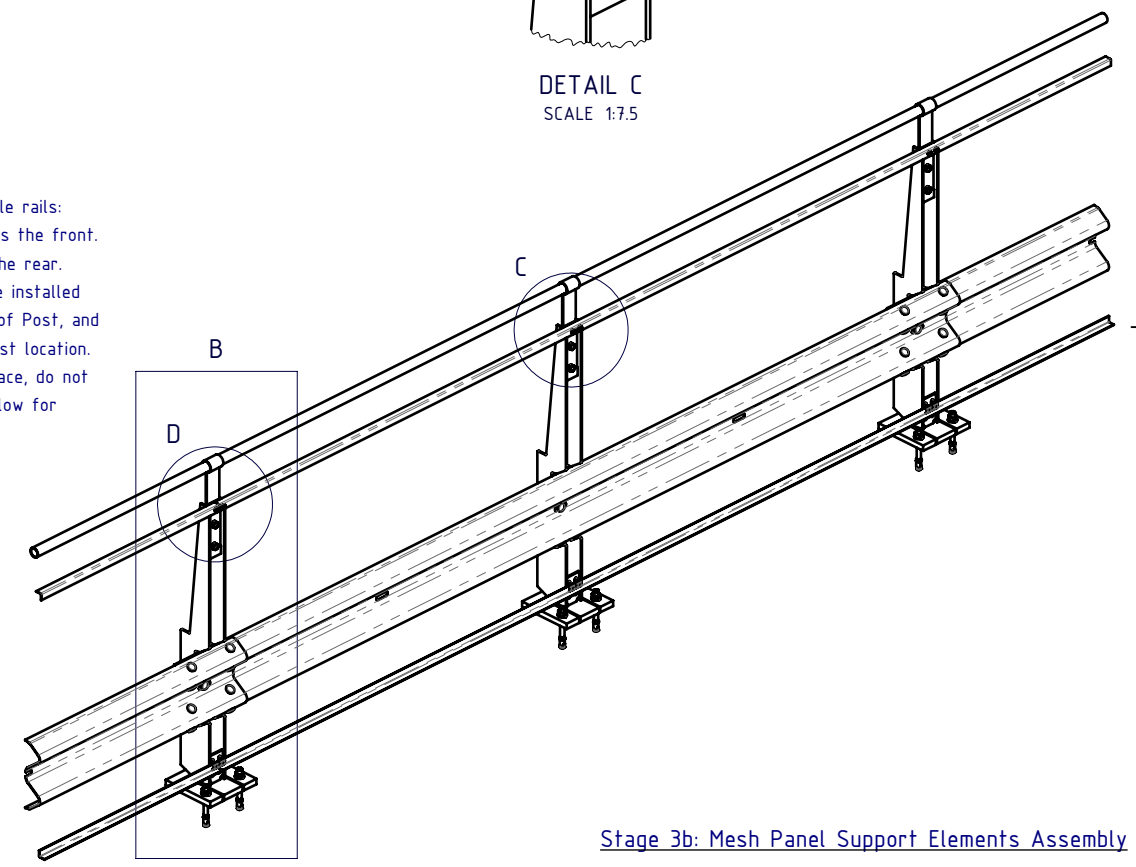


DETAIL D
SCALE 1:7.5




DETAIL C
SCALE 1:7.5

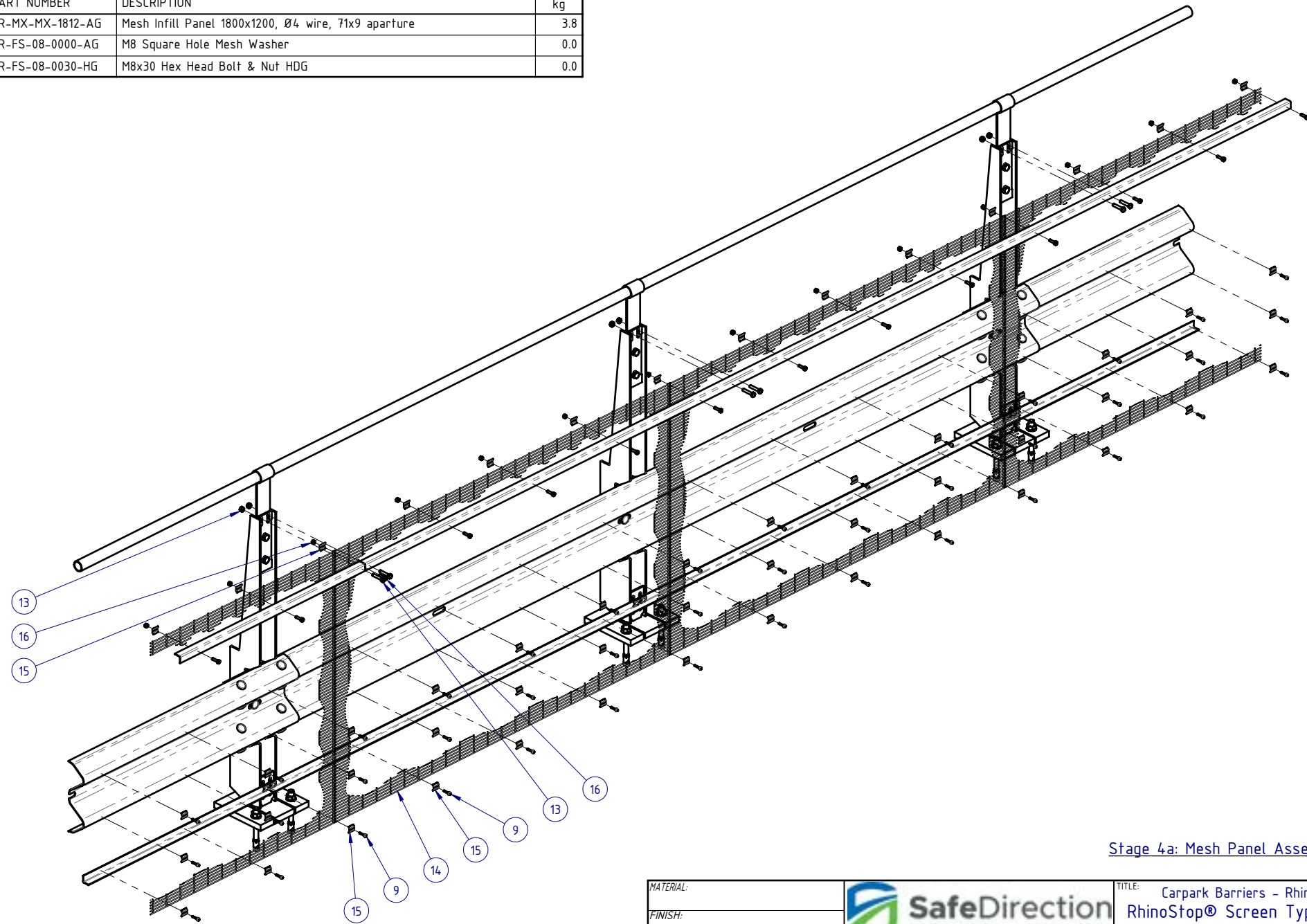
1. Note orientation of Mesh Support Angle rails:
 - a. Bottom Angle rail toe-out towards the front.
 - b. Top Angle rail toe-out towards the rear.
2. All Mesh Support Angle Rails MUST be installed with the butt-joint located at centre of Post, and fixed to Post with 4 bolts at each Post location.
3. Top rail to be loosely positioned in place, do not tighten fasteners at this stage, to allow for Mesh Panel to be placed behind it.




Stage 3b: Mesh Panel Support Elements Assembly

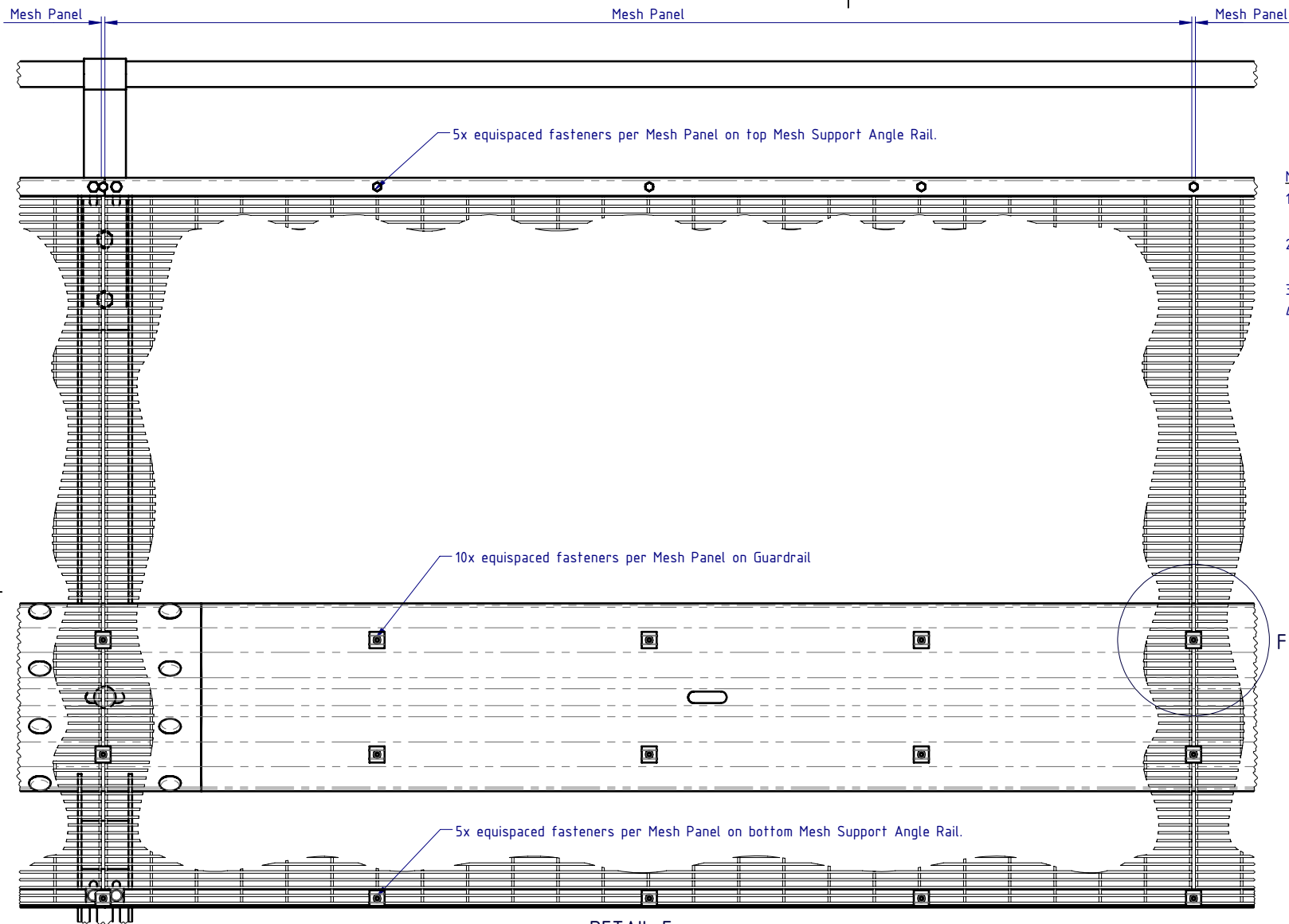
MATERIAL:			 SafeDirection CRASH BARRIER SOLUTIONS		TITLE: Carpark Barriers - Rhino-Stop® Screen RhinoStop® Screen Type 2, 1500mm High			
FINISH:					General Arrangement			
STATUS	NAME	DATE	<small>COPYRIGHT. All rights reserved. ABN: 53 156 459 684</small> <small>These drawings, plans and specifications and the copyright therein are the properties of Safe Direction Pty Ltd, and must not be used, reproduced or copied wholly or in part without written permission.</small> <small>U.N.O. TOLERANCES: ±1mm ALL DIMENSIONS ARE IN: mm</small>			DWG NO.	REVISION:	SHEET SIZE
DRAWN	W. Rogulski	31/03/2022				SD-CP-06002	A	A4
CHK'D	T. Colquhoun	31/03/2022				<small>DO NOT SCALE DRAWING</small>		
APPV'D	H. Wallace	31/03/2022						
STATUS: APPROVED			<small>C:\SDSYS\SD\Assembly\SD-CP Carpark Barriers\SD-CP-06000 RhinoStop Screens\SD-CP-06002 - RhinoStop Screen Type 2, 1500mm High</small>					

BOM			
ITEM NO.	PART NUMBER	DESCRIPTION	Weight kg
14	GR-MX-MX-1812-AG	Mesh Infill Panel 1800x1200, Ø4 wire, 71x9 apature	3.8
15	GR-FS-08-0000-AG	M8 Square Hole Mesh Washer	0.0
16	GR-FS-08-0030-HG	M8x30 Hex Head Bolt & Nut HDG	0.0



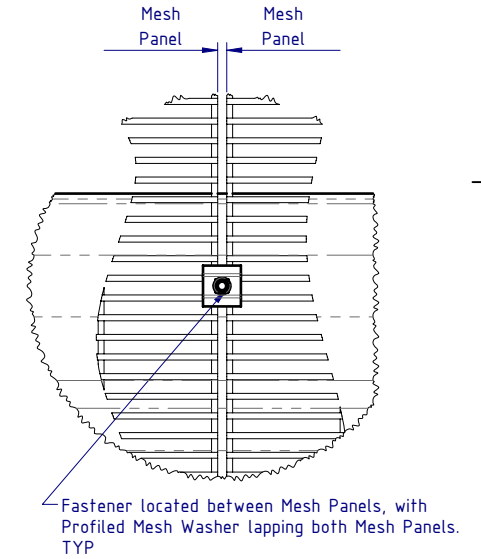
Stage 4a: Mesh Panel Assembly

MATERIAL:			 <p>SafeDirection CRASH BARRIER SOLUTIONS</p>		TITLE: Carpark Barriers - Rhino-Stop® Screen RhinoStop® Screen Type 2, 1500mm High															
FINISH:					General Arrangement															
<table border="1"> <thead> <tr> <th>STATUS</th> <th>NAME</th> <th>DATE</th> </tr> </thead> <tbody> <tr> <td>DRAWN</td> <td>W. Rogulski</td> <td>31/03/2022</td> </tr> <tr> <td>CHK'D</td> <td>T. Colquhoun</td> <td>31/03/2022</td> </tr> <tr> <td>APPV'D</td> <td>H. Wallace</td> <td>31/03/2022</td> </tr> </tbody> </table>			STATUS	NAME	DATE	DRAWN	W. Rogulski	31/03/2022	CHK'D	T. Colquhoun	31/03/2022	APPV'D	H. Wallace	31/03/2022	<small>COPYRIGHT All rights reserved. ABN: 53 156 459 684 These drawings, plans and specifications and the copyright therein are the properties of Safe Direction Pty Ltd, and must not be used, reproduced or copied wholly or in part without written permission.</small>			DWG NO.	REVISION:	SHEET SIZE
STATUS	NAME	DATE																		
DRAWN	W. Rogulski	31/03/2022																		
CHK'D	T. Colquhoun	31/03/2022																		
APPV'D	H. Wallace	31/03/2022																		
			<small>U.N.O: TOLARANCES: ±1mm ALL DIMENSIONS ARE IN: mm</small>			SD-CP-06002	A	A4												
			<small>THIRD ANGLE PROJECTION</small>			WEIGHT: 199.2kg	DO NOT SCALE DRAWING	SCALE: 1:20 SHEET 6 of 8												
			APPROVED			<small>C:\SDSYD\SD\Assem\CP Carpark Barriers\SD-CP-06000 RhinoStop Screen\SD-CP-06002 - RhinoStop Screen Type 2, 1500mm High</small>														



Mesh Panel Assembly Notes:

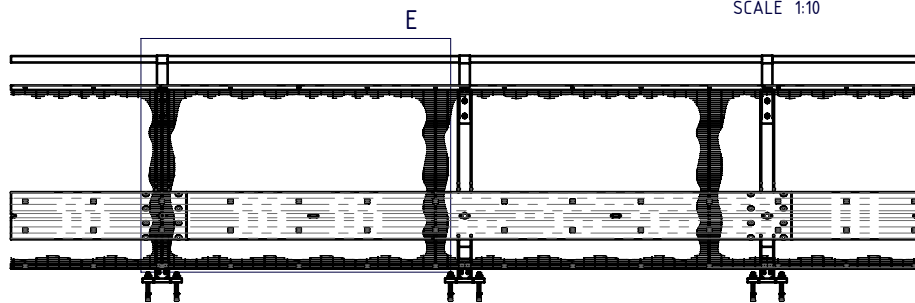
1. Position first Mesh Panel in Landscape orientation, resting on bottom Mesh Support Angle Rail.
2. Position adjacent Mesh Panels with a 5–10mm gap to allow for fixing screw between each Panel.
3. Fix Mesh Panels as indicated in Detail E and Detail F views.
4. Each Mesh Panel to be fixed with 20x Self Tapping Screws and Profiled Mesh Washers.


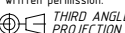



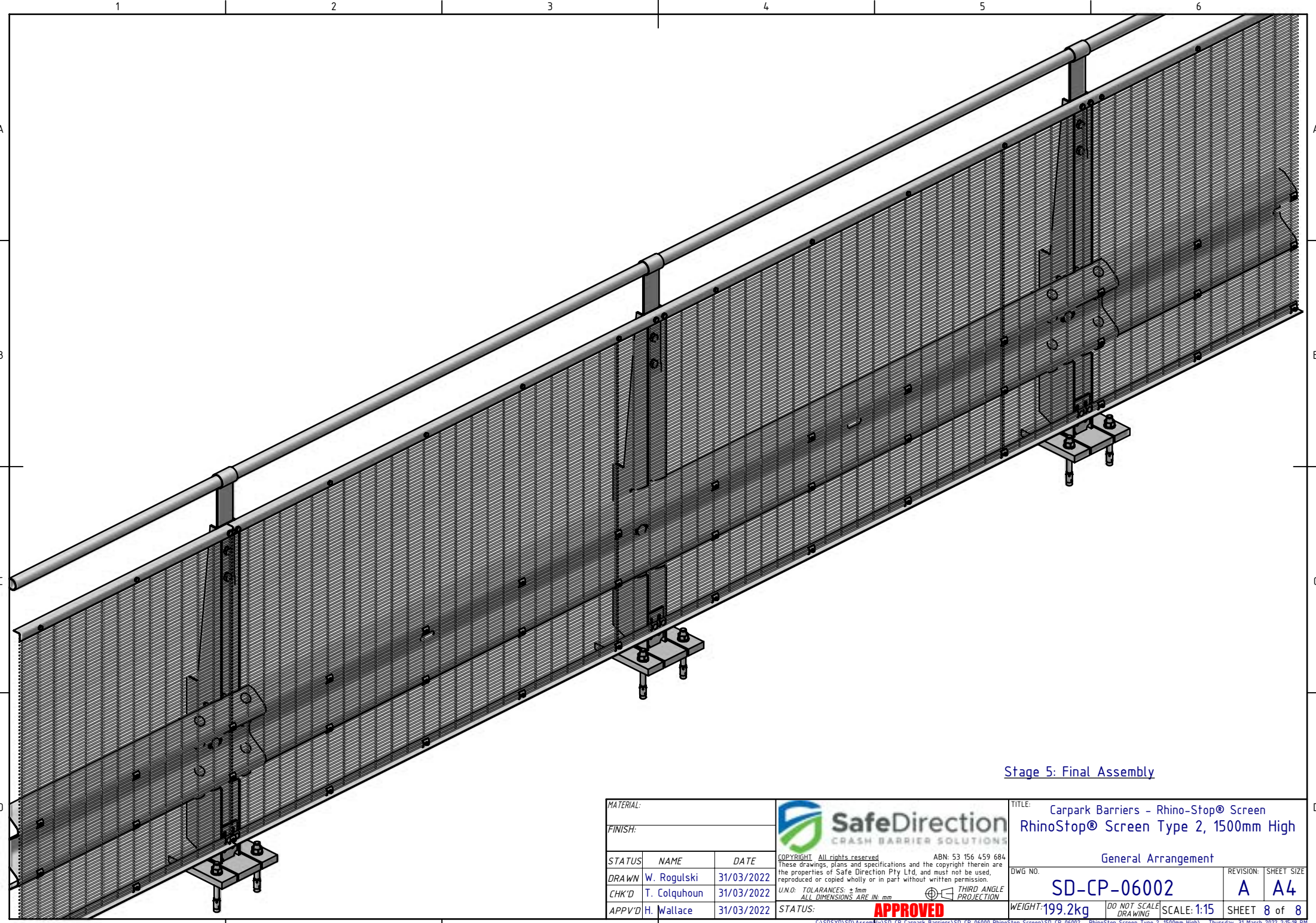
DETAIL E
SCALE 1:10

DETAIL F
SCALE 1:5


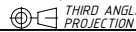
Stage 4b: Mesh Panel Assembly



MATERIAL:			 <p>SafeDirection CRASH BARRIER SOLUTIONS</p>		TITLE: Carpark Barriers - Rhino-Stop® Screen RhinoStop® Screen Type 2, 1500mm High			
FINISH:					General Arrangement			
STATUS	NAME	DATE	COPYRIGHT: All rights reserved. ABN: 53 156 459 684 These drawings, plans and specifications and the copyright therein are the properties of Safe Direction Pty Ltd, and must not be used, reproduced or copied wholly or in part without written permission.		DWG NO.	REVISION:	SHEET SIZE	
DRAWN	W. Rogulski	31/03/2022	U.N.O. TOLERANCES: ±1mm ALL DIMENSIONS ARE IN: mm		 THIRD ANGLE PROJECTION	SD-CP-06002	A	A4
CHK'D	T. Colquhoun	31/03/2022						
APPV'D	H. Wallace	31/03/2022						
STATUS:			 APPROVED		WEIGHT: 199.2kg	DO NOT SCALE DRAWING	SCALE: 1:50	SHEET 7 of 8



Stage 5: Final Assembly

MATERIAL:			 SafeDirection CRASH BARRIER SOLUTIONS		TITLE: Carpark Barriers - Rhino-Stop® Screen RhinoStop® Screen Type 2, 1500mm High			
FINISH:					General Arrangement			
STATUS	NAME	DATE	<small>COPYRIGHT All rights reserved ABN: 53 156 459 684</small> <small>These drawings, plans and specifications and the copyright therein are the properties of Safe Direction Pty Ltd, and must not be used, reproduced or copied wholly or in part without written permission.</small>		DWG NO.	REVISION:	SHEET SIZE	
DRAWN	W. Rogulski	31/03/2022	<small>U.N.O. TOLERANCES: ±1mm</small> <small>ALL DIMENSIONS ARE IN: mm</small>		 THIRD ANGLE PROJECTION	SD-CP-06002	A A4	
CHK'D	T. Colquhoun	31/03/2022	STATUS: APPROVED					WEIGHT: 199.2kg
APPV'D	H. Wallace	31/03/2022						