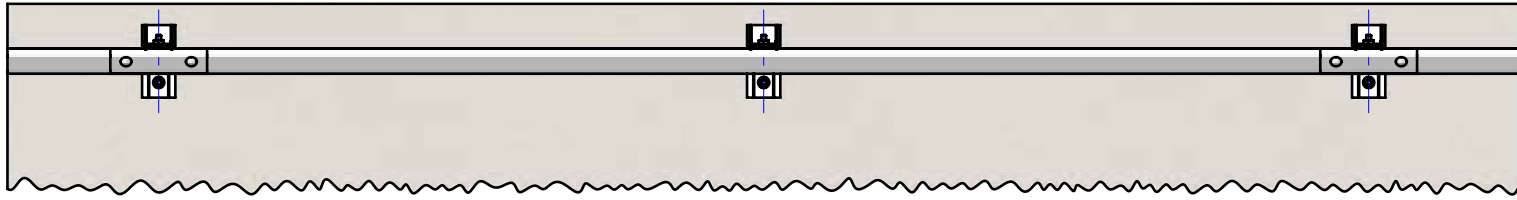


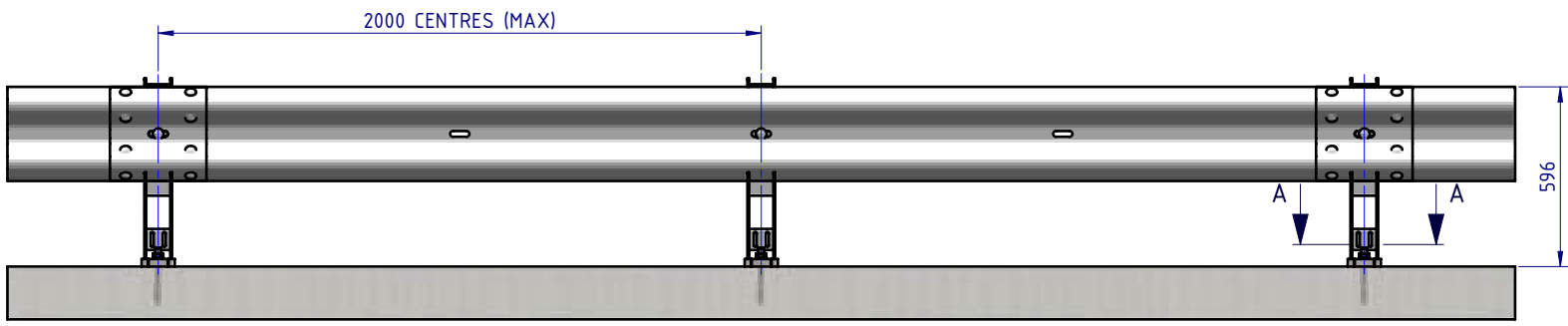
Rhino-Stop has been assessed to exceed the 30kN impact load as described in AS/NZS 1170.1 clause 3.8 a) i) for Light Traffic Areas, based on:

- Post spacing at Maximum 2 mtrs Centres
- Minimum 3 Post Assembly per Installation

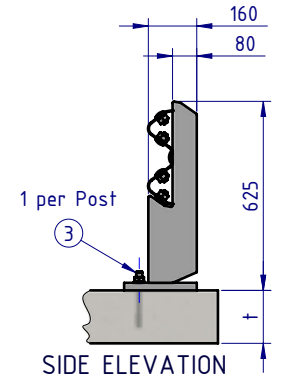
REVISIONS				
REV.	ZONE	DESCRIPTION	DATE	APPV'D
A		INITIAL ISSUE	17/10/2013	TC
B		PLATE ADDED TO POST	13/07/2017	TC
C		Redrawn from AutoCAD	30/11/2021	HW



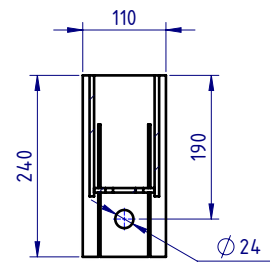
PLAN VIEW



FRONT ELEVATION



SIDE ELEVATION



SECTION A-A  
BASE PLATE  
DETAIL  
SCALE 1:10

Post Anchor Bolt Installation Details		
Slab Thickness (t)	≤ 170mm	> 170mm
Anchor Bolt Part #	GR-FS-20-0160-HG	GR-FS-20-0187-HG
Anchor Bolt Type	Fischer FBN II Mechanical	Fischer FBN II Mechanical
Min. Embedment Depth	100mm	130mm
Drill Type	Masonry Bit	Masonry Bit
Drill diameter	Ø20mm	Ø20mm
Drill Depth	105mm	135mm
Minimum Torque	200Nm	200Nm

BOM			
ITEM NO.	PART NUMBER	DESCRIPTION	Weight kg
1	GR-PB-IS-0625-CG	Rhino-Stop® Post	12.3
2	GR-WB-SR-4000-CG	W-Beam Guardrail 4.0M NLL, 1.0M CTRS	43.3
3	GR-FS-20-0187-HG	FISCHER FBN II, M20x187mm	0.5
4	GR-FS-16-0032-MG	M16x32 SPLICE Hex Bolt & Oversize Nut Assy	0.2
5	GR-FS-16-0050-MG	M16x50 POST Hex Bolt & Nut Assy	0.2

MATERIAL:		
FINISH:		
STATUS	NAME	DATE
DRAWN	W. Rogulski	14/01/2022
CHK'D	T. Colquhoun	30/11/2021
APPV'D	H. Wallace	

TITLE: Carpark Barriers - RhinoStop® Standard Rhino-Stop® Standard Type 1 GuardRail General Arrangement

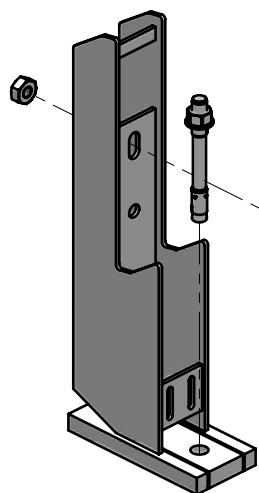
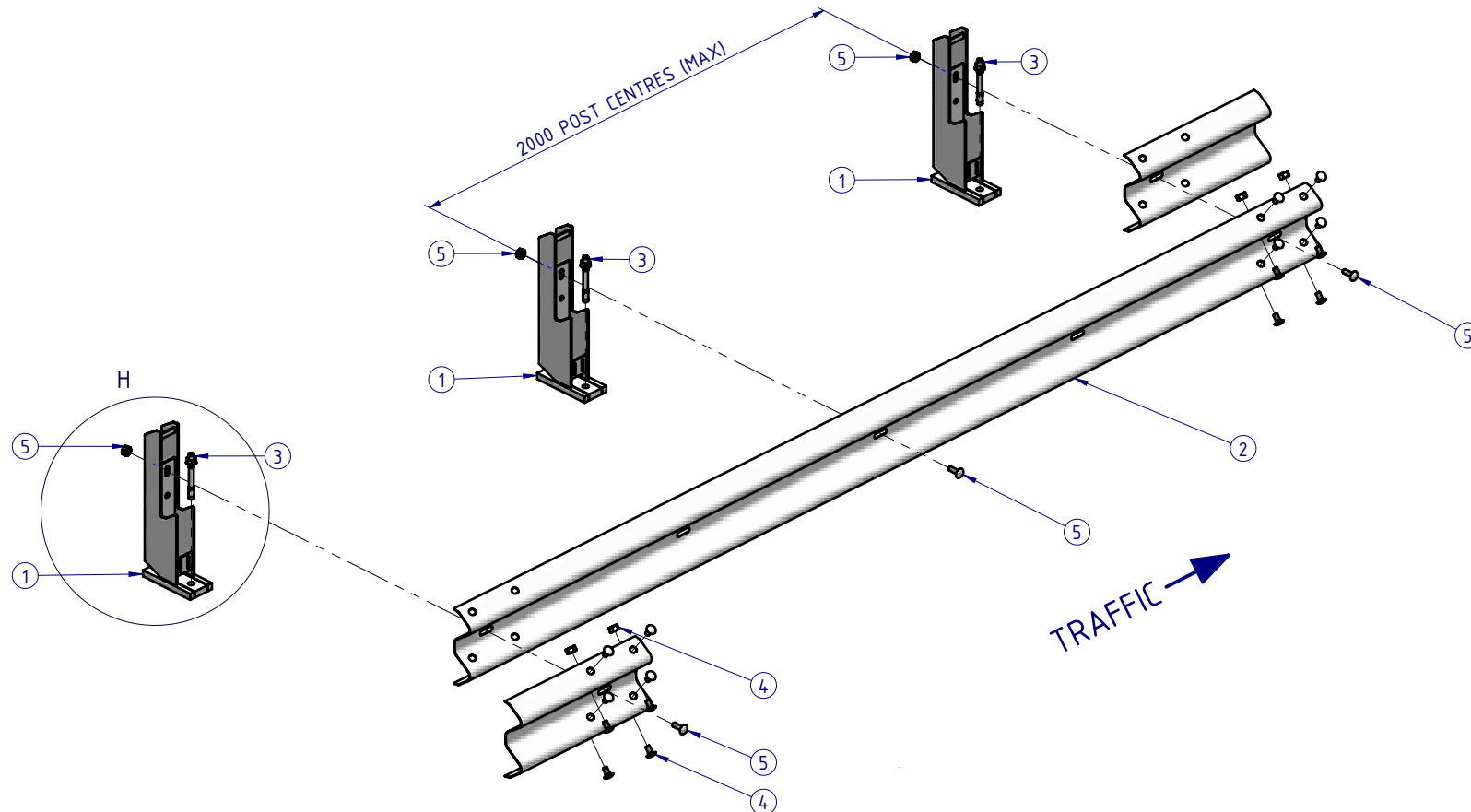
DWG NO: SD-CP-01001 REVISION: C SHEET SIZE: A4

WEIGHT: 627.9kg DO NOT SCALE DRAWING SCALE: 1:25 SHEET 1 of 3


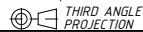
APPROVED

Rhino-Stop has been assessed to exceed the 30kN impact load as described in AS/NZS 1170.1 clause 3.8 a) i) for Light Traffic Areas, based on:

- Post spacing at Maximum 2 mtrs Centres
- Minimum 3 Post Assembly per Installation

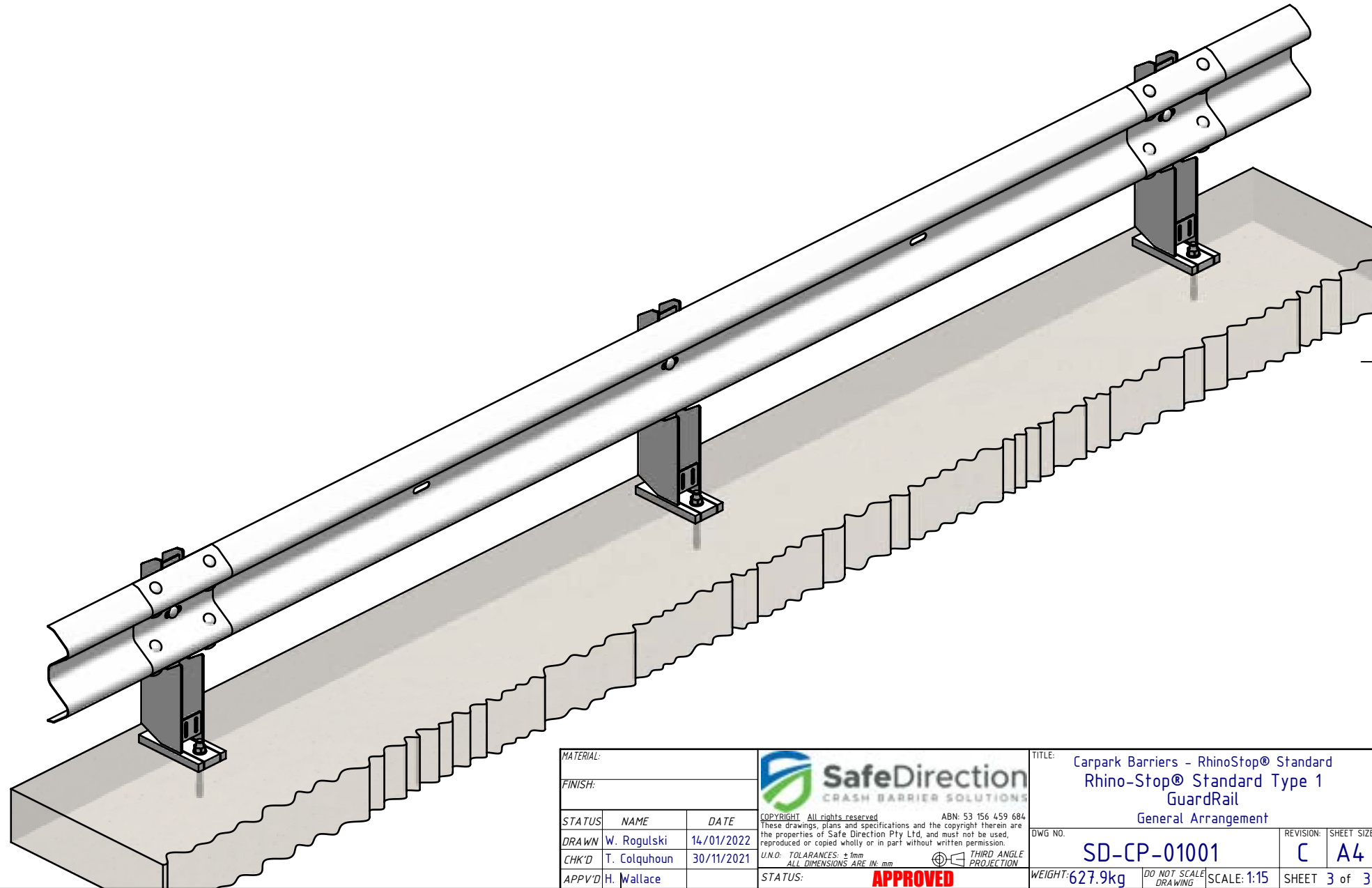


DETAIL H  
SCALE 1:10

MATERIAL:			 <small>SafeDirection CRASH BARRIER SOLUTIONS</small>		TITLE: Carpark Barriers - RhinoStop® Standard Rhino-Stop® Standard Type 1 GuardRail General Arrangement						
FINISH:					<small>ABN: 53 156 459 684</small> <small>These drawings, plans and specifications and the copyright therein are the properties of Safe Direction Pty Ltd, and must not be used, reproduced or copied wholly or in part without written permission.</small>		DWG NO. SD-CP-01001	REVISION: C	SHEET SIZE: A4		
STATUS	NAME	DATE	<small>U.N.O. TOLERANCES: ±1mm ALL DIMENSIONS ARE IN: mm</small>  <b>THIRD ANGLE PROJECTION</b>			WEIGHT: 627.9kg		DO NOT SCALE DRAWING	SCALE: 1:25	SHEET 2 of 3	
DRAWN	W. Rogulski	14/01/2022				<small>APPROVED</small>		SCALE: 1:25		SHEET 2 of 3	
CHK'D	T. Colquhoun	30/11/2021				<small>APPROVED</small>		SCALE: 1:25		SHEET 2 of 3	
APPV'D	H. Wallace					<small>APPROVED</small>		SCALE: 1:25		SHEET 2 of 3	

Rhino-Stop has been assessed to exceed the 30kN impact load as described in AS/NZS 1170.1 clause 3.8 a) i) for Light Traffic Areas, based on:

- Post spacing at Maximum 2 mtrs Centres
- Minimum 3 Post Assembly per Installation



MATERIAL:		
FINISH:		
STATUS	NAME	DATE
DRAWN	W. Rogulski	14/01/2022
CHK'D	T. Colquhoun	30/11/2021
APPV'D	H. Wallace	

**SafeDirection**  
CRASH BARRIER SOLUTIONS

COPYRIGHT All rights reserved. ABN: 53 156 459 684  
These drawings, plans and specifications and the copyright therein are the properties of Safe Direction Pty Ltd, and must not be used, reproduced or copied wholly or in part without written permission.

U.N.O. TOLERANCES: ±1mm  
ALL DIMENSIONS ARE IN: mm

**THIRD ANGLE PROJECTION**

**APPROVED**

TITLE: Carpark Barriers - RhinoStop® Standard Rhino-Stop® Standard Type 1 GuardRail General Arrangement			
DWG NO.	REVISION:	SHEET SIZE	
SD-CP-01001	C	A4	
WEIGHT: 627.9kg	DO NOT SCALE DRAWING	SCALE: 1:15	SHEET 3 of 3