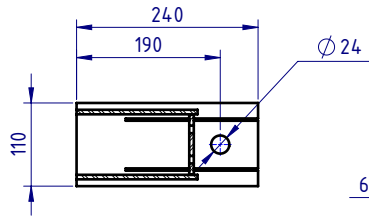
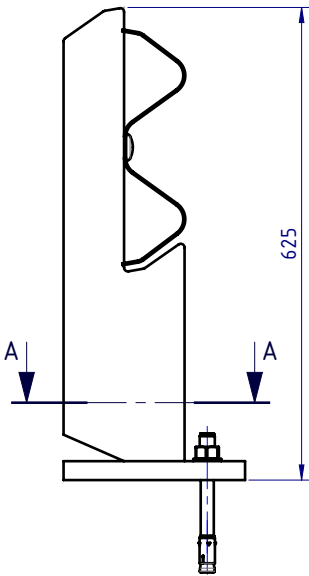


Rhino-Stop has been assessed to exceed the 30kN impact load as described in AS/NZS 1170.1 clause 3.8 a) i) for Light Traffic Areas, based on:

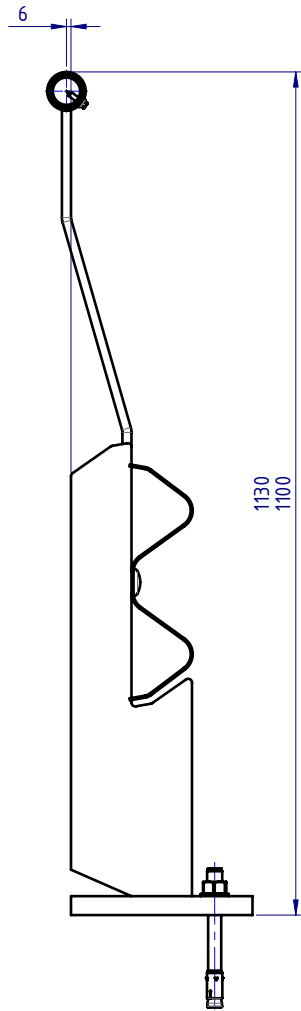
- Post spacing at Maximum 2 mtrs Centres
- Minimum 3 Post Assembly per Installation



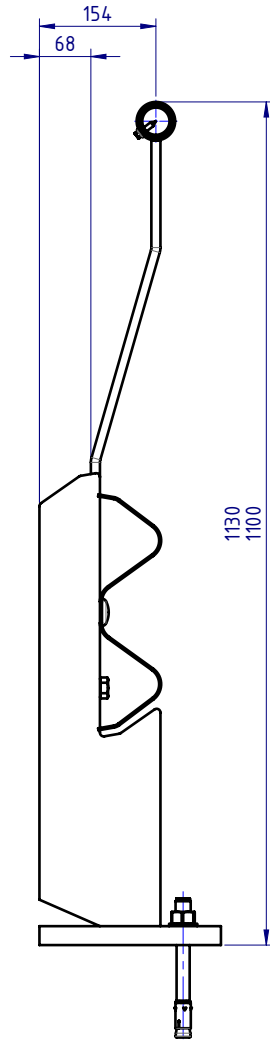
SECTION A-A  
BASE PLATE DETAIL  
TYPICAL  
ANCHOR BOLT HIDDEN FOR CLARITY



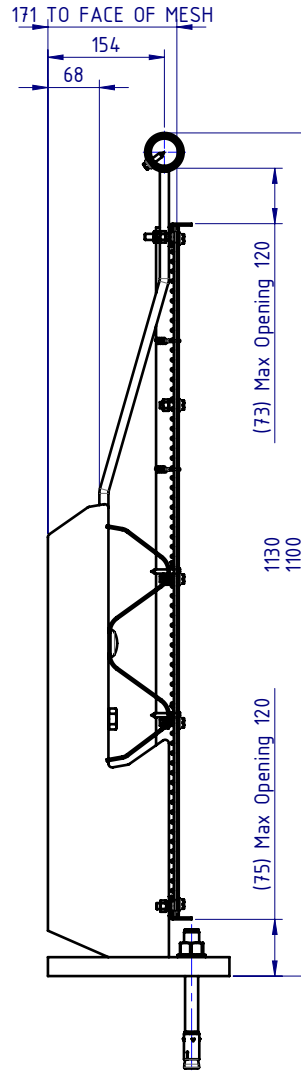
Rhino-Stop® Standard Type 1  
GuardRail



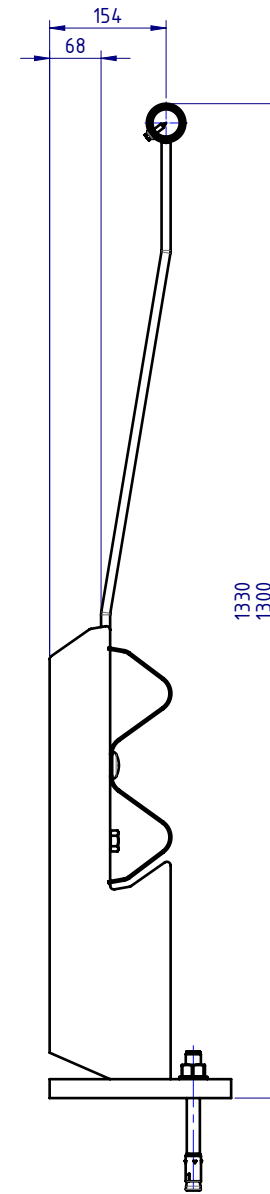
Rhino-Stop® Standard Type 2  
GuardRail & Offside Balustrade



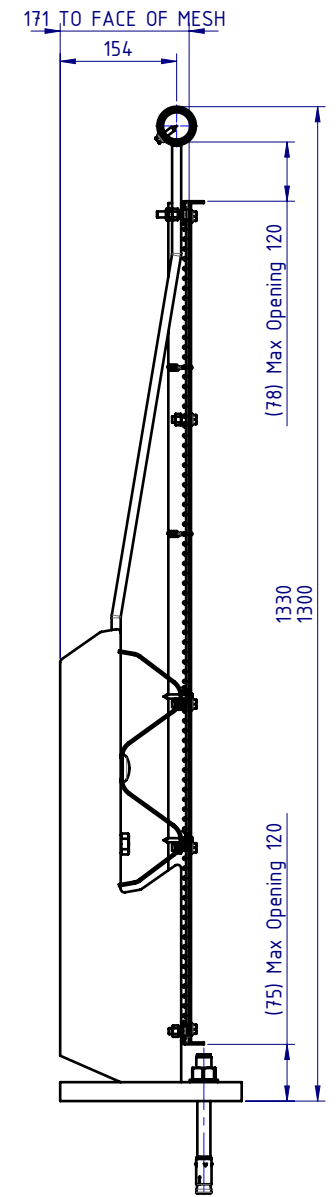
Rhino-Stop® Standard Type 3  
GuardRail & Nearside Balustrade



Rhino-Stop® Standard Type 4  
GuardRail, Balustrade & Anti-Climb Mesh



Rhino-Stop® Standard Type 5  
GuardRail & Sight Rail



Rhino-Stop® Standard Type 6  
GuardRail, Balustrade, Anti-Climb Mesh  
& Sight Rail

REVISIONS

REV.	ZONE	DESCRIPTION	DATE	APPV'D
A		ORIGINAL ISSUE	05/11/2013	TC
B		REISSUED FOR INITIAL ISSUE	21/07/2014	TC
C		NEW HANDRAIL EXTENSIONS ADDED	18/07/2017	TC
D		NEW RHINO BASEPLATE ADDED	11/04/2018	TC
E		Redrawn from AutoCAD, new handrail extensions added	8/12/2021	HW
F		Splice Fasteners removed	21/01/2022	HW

MATERIAL:		
FINISH:		
STATUS	NAME	DATE
DRAWN	W. Rogulski	14/01/2022
CHK'D	T. Colquhoun	
APPV'D	H. Wallace	21/01/2022

**SafeDirection**  
CRASH BARRIER SOLUTIONS

COPYRIGHT: All rights reserved. These drawings, plans and specifications and the copyright therein are the properties of Safe Direction Pty Ltd, and must not be used, reproduced or copied wholly or in part without written permission.

U.N.O. TOLERANCES: ±1mm ALL DIMENSIONS ARE IN: mm

**APPROVED**

TITLE: Carpark Barriers - RhinoStop® Standard GuardRail			
General Arrangement			
DWG NO.	REVISION:	SHEET SIZE	
SD-CP-01000	F	A4	
WEIGHT: 627.9kg	SCALE: 1:10	SHEET 1 of 1	