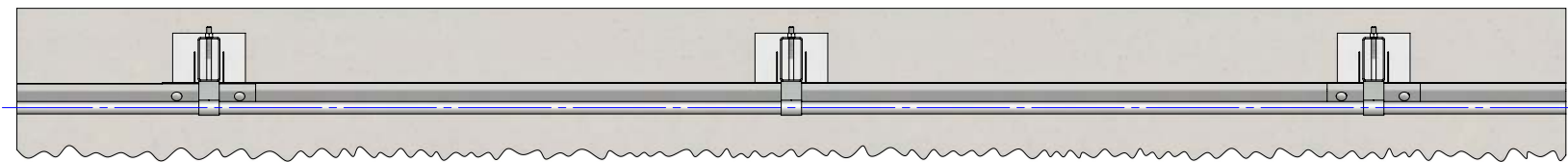


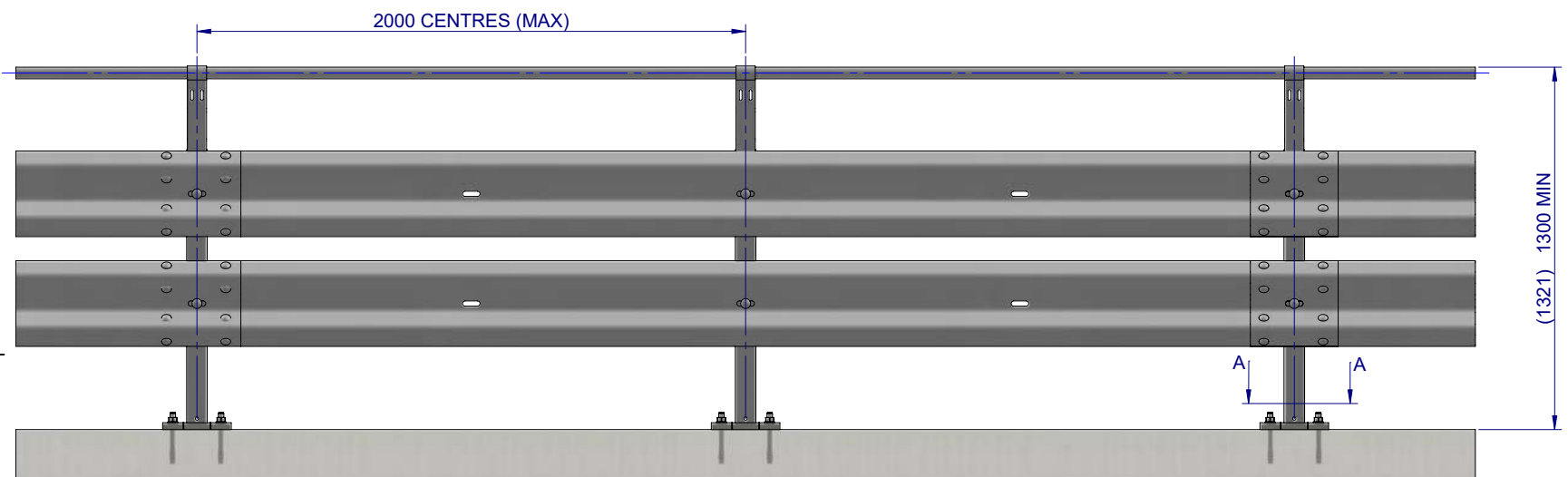
Rhino-Stop Truck Guard has been assessed to exceed the 40kN impact load as described in AS/NZS 1170.1 clause 3.8 b) for Medium Traffic Areas, based on:

- Post spacing at Maximum 2 mtrs Centres
- Minimum 5 Post Assembly per Installation

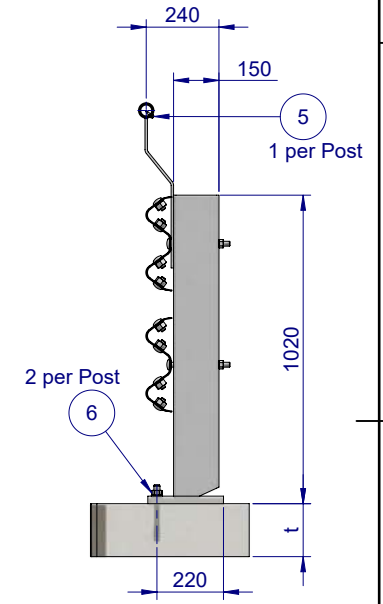
REVISIONS				
REV.	ZONE	DESCRIPTION	DATE	APP'VD
A		Original Issue, supersedes GR-WB-042	20/09/2022	HW



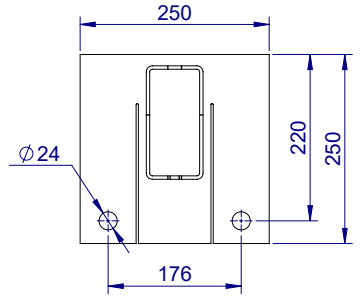
PLAN VIEW



FRONT ELEVATION



SIDE ELEVATION



SECTION A-A
BASE PLATE DETAIL
SCALE 1:10

Post Anchor Bolt Installation Details		
Slab Thickness (t)	≤ 170mm	> 170mm
Anchor Bolt Part #	GR-FS-20-0160-HG	GR-FS-20-0187-HG
Anchor Bolt Type	Fischer FBN II Mechanical	Fischer FBN II Mechanical
Min. Embedment Depth	100mm	130mm
Drill Type	Masonry Bit	Masonry Bit
Drill diameter	Ø20mm	Ø20mm
Drill Depth	105mm	135mm
Minimum Torque	200Nm	200Nm

BOM			
ITEM NO.	PART NUMBER	DESCRIPTION	Weight kg
1	GR-PB-RS-1050-AG	Rhino-Stop® Truck Guard Post	26.4
2	GR-WB-SR-4000-CG	W-Beam Guardrail 4.0M NLL, 1.0M CTRS	43.3
3	GR-MX-MX-0545-AG	RhinoStop Truck Guard Handrail Extension	2.5
4	HR-PI-32-6500-AG	Handrail / Sight Rail Pipe 32NB	4.4
5	GR-FS-14-0025-TG	14g x 25mm Hex Head Screw Self Tapping, 10 tpi, Class5, B8 Coating	
6	GR-FS-20-0187-HG	FISCHER FBN II, M20x187mm	0.5
7	GR-FS-16-0032-MG	M16x32 Mushroom Head SPLICE Bolt & Oversize Nut Assy CL8.8	0.2
8	GR-FS-16-0200-MG	M16x200 Mushroom Head POST Bolt & Nut Assy Class 4.6 HDG	0.4

MATERIAL:

FINISH:

STATUS | **NAME** | **DATE**

DRAWN: J. An | 20/09/2022

CHK'D: T. Colquhoun | 20/09/2022

APP'VD: H. Wallace | 20/09/2022

SafeDirection
CRASH BARRIER SOLUTIONS

COPYRIGHT: All rights reserved. These drawings, plans and specifications and the copyright therein are the properties of Safe Direction Pty Ltd. and must not be used, reproduced or copied wholly or in part without written permission.

U.N.O. TOLERANCES: ±1mm ALL DIMENSIONS ARE IN: mm

THIRD ANGLE PROJECTION

APPROVED

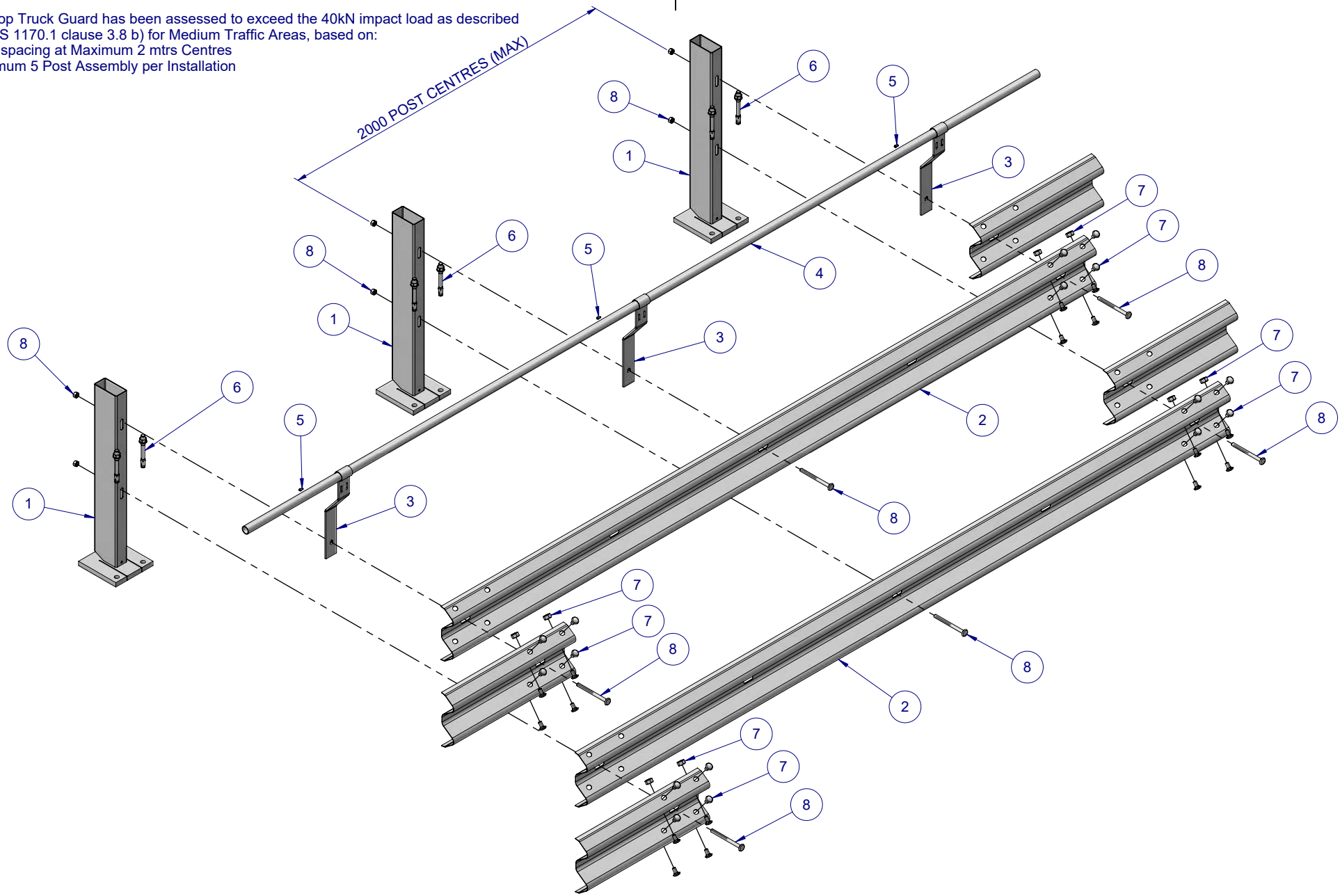
TITLE: Carpark Barriers - RhinoStop® Truck-Guard Rhino-Stop® Truck-Guard Type 3 GuardRail & Nearside Balustrade General Arrangement

DWG NO. **SD-CP-03003** REVISION: **A** SHEET SIZE: **A4**

WEIGHT: DO NOT SCALE DRAWING SCALE: 1:25 SHEET 1 of 3

Rhino-Stop Truck Guard has been assessed to exceed the 40kN impact load as described in AS/NZS 1170.1 clause 3.8 b) for Medium Traffic Areas, based on:

- Post spacing at Maximum 2 mtrs Centres
- Minimum 5 Post Assembly per Installation



MATERIAL:		
FINISH:		
STATUS	NAME	DATE
DRAWN	J. An	12/09/2022
CHK'D	T. Colquhoun	12/09/2022
APP'VD	H. Wallace	12/09/2022

SafeDirection
CRASH BARRIER SOLUTIONS

ABN: 53 156 459 684
COPYRIGHT: All rights reserved. These drawings, plans and specifications and the copyright therein are the properties of Safe Direction Pty Ltd. and must not be used, reproduced or copied wholly or in part without written permission.

U.N.O. TOLERANCES: ±1mm
ALL DIMENSIONS ARE IN: mm

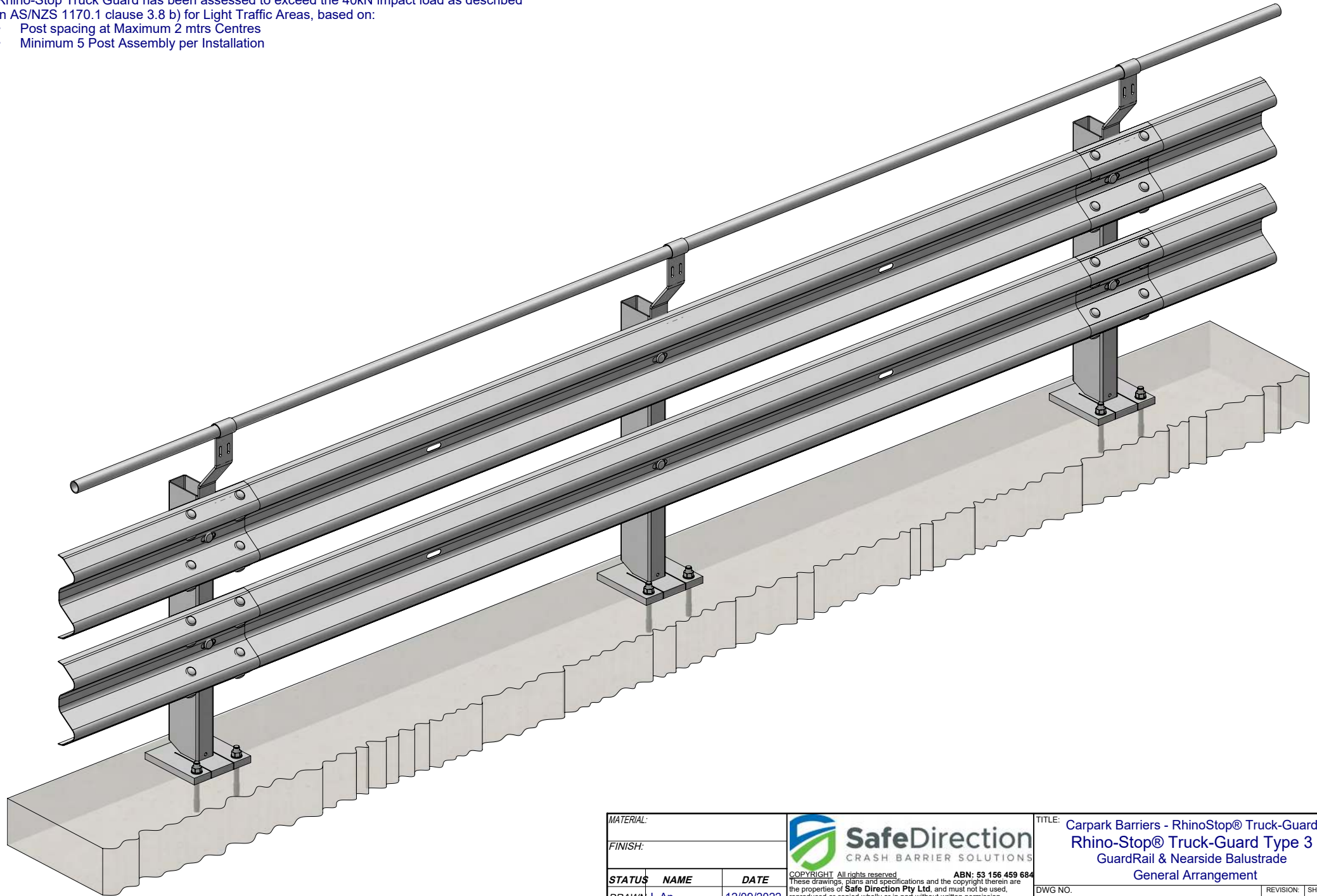
THIRD ANGLE PROJECTION

STATUS: APPROVED

TITLE: Carpark Barriers - RhinoStop® Truck-Guard Rhino-Stop® Truck-Guard Type 3 GuardRail & Nearside Balustrade General Arrangement		REVISION:	SHEET SIZE
DWG NO.	SD-CP-03003	A	A4
WEIGHT:	DO NOT SCALE DRAWING	SCALE: 1:25	SHEET 2 of 3

Rhino-Stop Truck Guard has been assessed to exceed the 40kN impact load as described in AS/NZS 1170.1 clause 3.8 b) for Light Traffic Areas, based on:

- Post spacing at Maximum 2 mtrs Centres
- Minimum 5 Post Assembly per Installation



MATERIAL:			 SafeDirection CRASH BARRIER SOLUTIONS		TITLE: Carpark Barriers - RhinoStop® Truck-Guard Rhino-Stop® Truck-Guard Type 3 GuardRail & Nearside Balustrade General Arrangement			
FINISH:					<small>COPYRIGHT: All rights reserved. These drawings, plans and specifications and the copyright therein are the properties of Safe Direction Pty Ltd. and must not be used, reproduced or copied wholly or in part without written permission.</small>		DWG NO.	REVISION:
STATUS	NAME	DATE	<small>U.N.O. TOLERANCES: ±1mm ALL DIMENSIONS ARE IN: mm</small>		SD-CP-03003		A	A4
DRAWN	J. An	12/09/2022	<small>THIRD ANGLE PROJECTION</small>		WEIGHT:		DO NOT SCALE DRAWING	
CHK'D	T. Colquhoun	12/09/2022	STATUS: APPROVED		SCALE: 1:15		SHEET 3 of 3	
APP'VD	H. Wallace	12/09/2022						