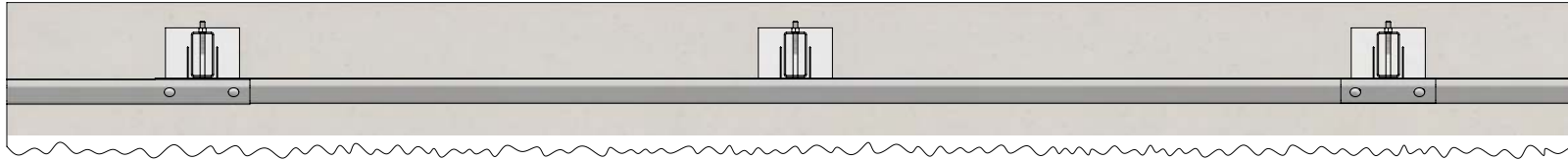


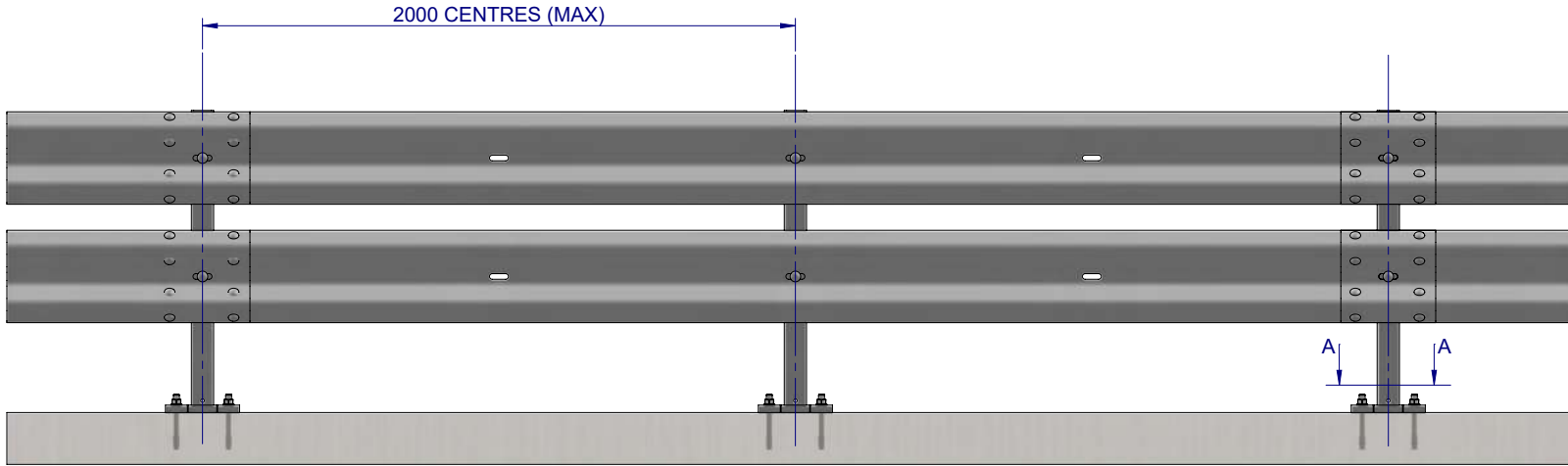
Rhino-Stop Truck Guard has been assessed to exceed the 40kN impact load as described in AS/NZS 1170.1 clause 3.8 b) for Medium Traffic Areas, based on:

- Post spacing at Maximum 2 mtrs Centres
- Minimum 5 Post Assembly per Installation

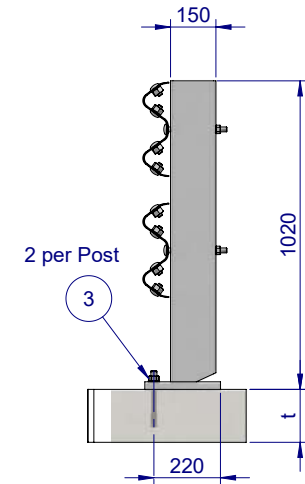
REVISIONS				
REV.	ZONE	DESCRIPTION	DATE	APPV'D
A		Original Issue, supersedes GR-WB-041	21/09/2022	HW



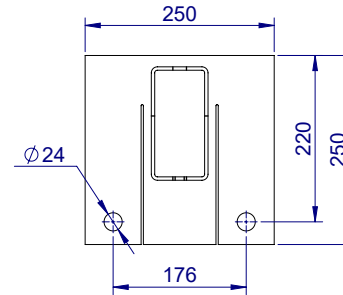
PLAN VIEW



FRONT ELEVATION



SIDE ELEVATION



SECTION A-A  
BASE PLATE DETAIL  
SCALE 1:10

Post Anchor Bolt Installation Details		
Slab Thickness (t)	≤ 170mm	> 170mm
Anchor Bolt Part #	GR-FS-20-0160-HG	GR-FS-20-0187-HG
Anchor Bolt Type	Fischer FBN II Mechanical	Fischer FBN II Mechanical
Min. Embedment Depth	100mm	130mm
Drill Type	Masonry Bit	Masonry Bit
Drill diameter	Ø20mm	Ø20mm
Drill Depth	105mm	135mm
Minimum Torque	200Nm	200Nm

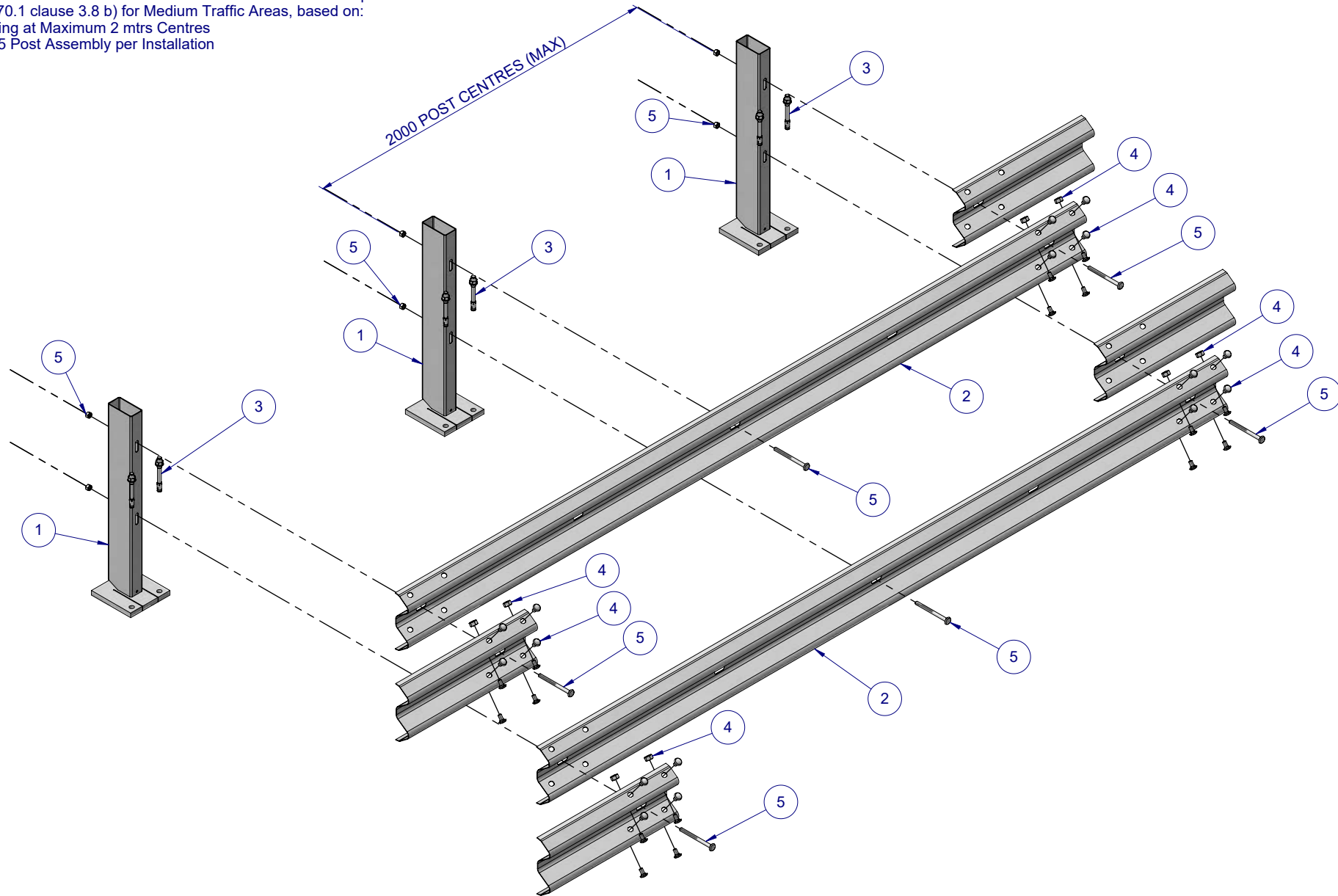
BOM			
ITEM NO.	PART NUMBER	DESCRIPTION	Weight kg
1	GR-PB-RS-1050-AG	Rhino-Stop® Truck Guard Post	26.4
2	GR-WB-SR-4000-CG	W-Beam Guardrail 4.0M NLL, 1.0M CTRS	43.3
3	GR-FS-20-0187-HG	FISCHER FBN II, M20x187mm	0.5
4	GR-FS-16-0032-MG	M16x32 Mushroom Head SPLICE Bolt & Oversize Nut Assy CL8.8	0.2
5	GR-FS-16-0200-MG	M16x200 Mushroom Head POST Bolt & Nut Assy Class 4.6 HDG	0.4

MATERIAL:			<p><b>SafeDirection</b> CRASH BARRIER SOLUTIONS</p>
FINISH:			
<b>STATUS</b>	<b>NAME</b>	<b>DATE</b>	<p><small>COPYRIGHT: All rights reserved. These drawings, plans and specifications and the copyright therein are the properties of Safe Direction Pty Ltd, and must not be used, reproduced or copied wholly or in part without written permission.</small></p> <p><small>U.N.O. TOLERANCES: ±1mm ALL DIMENSIONS ARE IN: mm</small></p> <p><b>THIRD ANGLE PROJECTION</b></p> <p><b>APPROVED</b></p>
DRAWN	J. An	21/09/2022	
CHK'D	T. Colquhoun	21/09/2022	
APPV'D	H. Wallace	21/09/2022	
<p><b>STATUS:</b> <b>APPROVED</b></p>			

<b>TITLE:</b> Carpark Barriers - RhinoStop® Truck-Guard Rhino-Stop® Truck-Guard Type 1 GuardRail General Arrangement			
DWG NO.	<b>SD-CP-03001</b>	REVISION:	<b>A</b>
WEIGHT:		SCALE:	<b>1:25</b>
DO NOT SCALE DRAWING		SHEET	<b>1 of 3</b>

Rhino-Stop Truck Guard has been assessed to exceed the 40kN impact load as described in AS/NZS 1170.1 clause 3.8 b) for Medium Traffic Areas, based on:

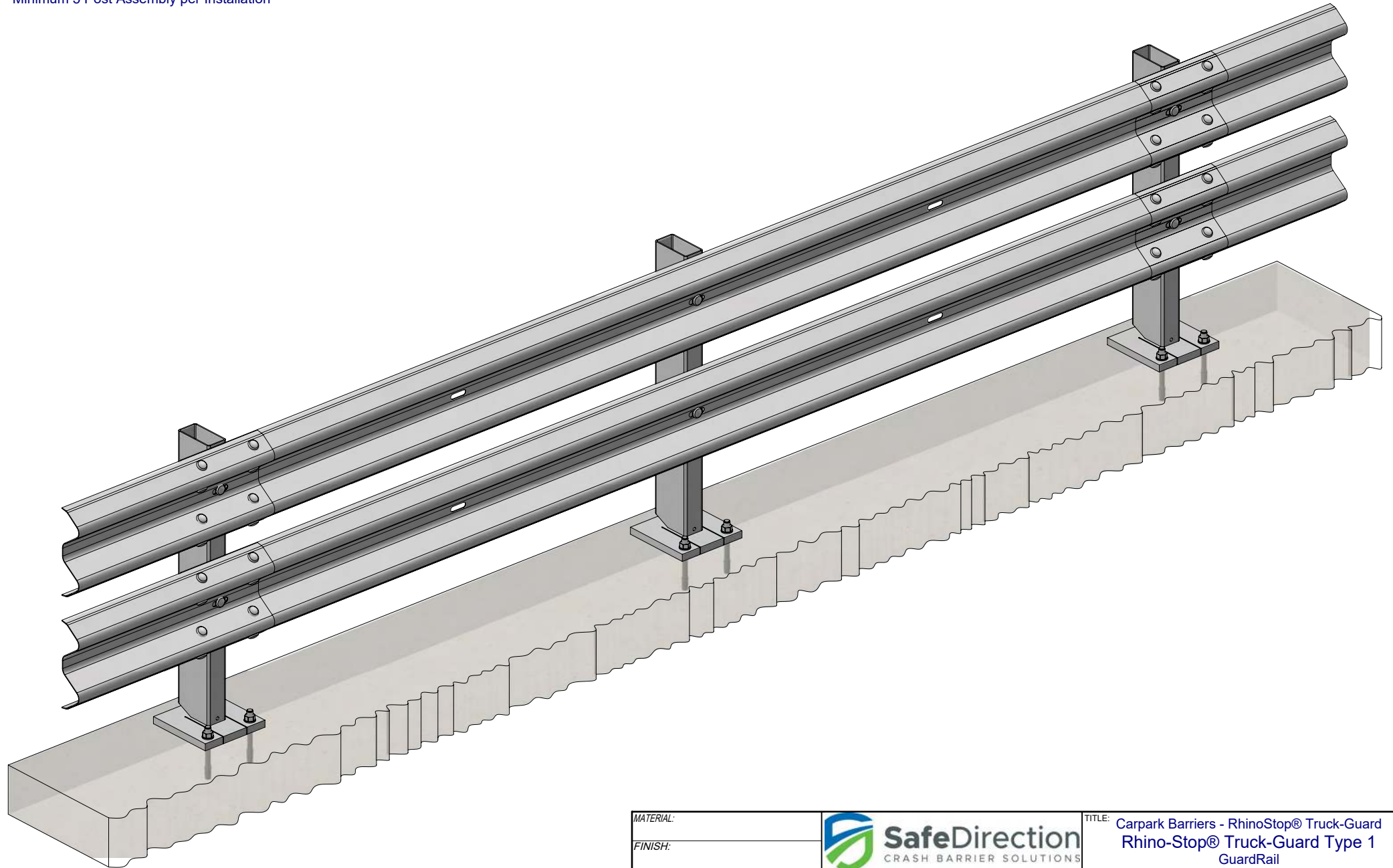
- Post spacing at Maximum 2 mtrs Centres
- Minimum 5 Post Assembly per Installation




MATERIAL:			 <b>SafeDirection</b> CRASH BARRIER SOLUTIONS		TITLE: Carpark Barriers - RhinoStop® Truck-Guard Rhino-Stop® Truck-Guard Type 1 GuardRail General Arrangement					
FINISH:					DWG NO. <b>SD-CP-03001</b> REVISION: <b>A</b> SHEET SIZE: <b>A4</b>					
<b>STATUS</b>	<b>NAME</b>	<b>DATE</b>	COPYRIGHT: All rights reserved. These drawings, plans and specifications and the copyright therein are the properties of <b>Safe Direction Pty Ltd.</b> and must not be used, reproduced or copied wholly or in part without written permission. U.N.O. TOLARANCES: ±1mm ALL DIMENSIONS ARE IN: mm  <b>STATUS: APPROVED</b>			WEIGHT:		DO NOT SCALE DRAWING	SCALE: 1:25	SHEET 2 of 3
DRAWN	J. An	21/09/2022				REVISION: <b>A</b>		SHEET SIZE: <b>A4</b>		
CHK'D	T. Colquhoun	21/09/2022				SCALE: 1:25		SHEET 2 of 3		
APP'VD	H. Wallace	21/09/2022				SCALE: 1:25		SHEET 2 of 3		

Rhino-Stop Truck Guard has been assessed to exceed the 40kN impact load as described in AS/NZS 1170.1 clause 3.8 b) for Light Traffic Areas, based on:

- Post spacing at Maximum 2 mtrs Centres
- Minimum 5 Post Assembly per Installation



MATERIAL:			 <b>SafeDirection</b> CRASH BARRIER SOLUTIONS		TITLE: Carpark Barriers - RhinoStop® Truck-Guard Rhino-Stop® Truck-Guard Type 1 GuardRail General Arrangement			
FINISH:					<small>COPYRIGHT: All rights reserved. These drawings, plans and specifications and the copyright therein are the properties of Safe Direction Pty Ltd. and must not be used, reproduced or copied wholly or in part without written permission.</small>		DWG NO.	REVISION:
<b>STATUS</b>	<b>NAME</b>	<b>DATE</b>	<small>U.N.O. TOLARANCES: ±1mm ALL DIMENSIONS ARE IN: mm</small>		<b>SD-CP-03001</b>		<b>A</b>	<b>A4</b>
DRAWN	J. An	21/09/2022	<small>THIRD ANGLE PROJECTION</small>		WEIGHT:		DO NOT SCALE DRAWING	
CHK'D	T. Colquhoun	21/09/2022	<b>STATUS:</b> <b>APPROVED</b>		SCALE: 1:15		SHEET 3 of 3	
APPV'D	H. Wallace	21/09/2022	SCALE 1:16		SCALE: 1:15		SHEET 3 of 3	