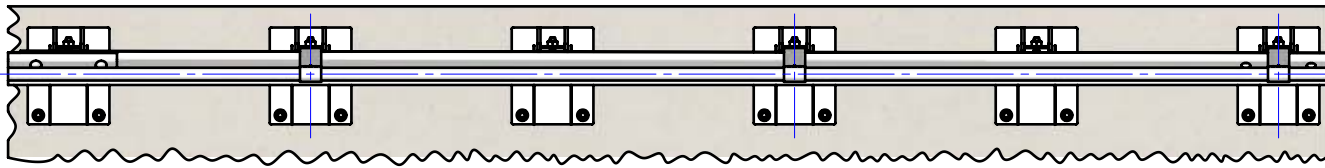


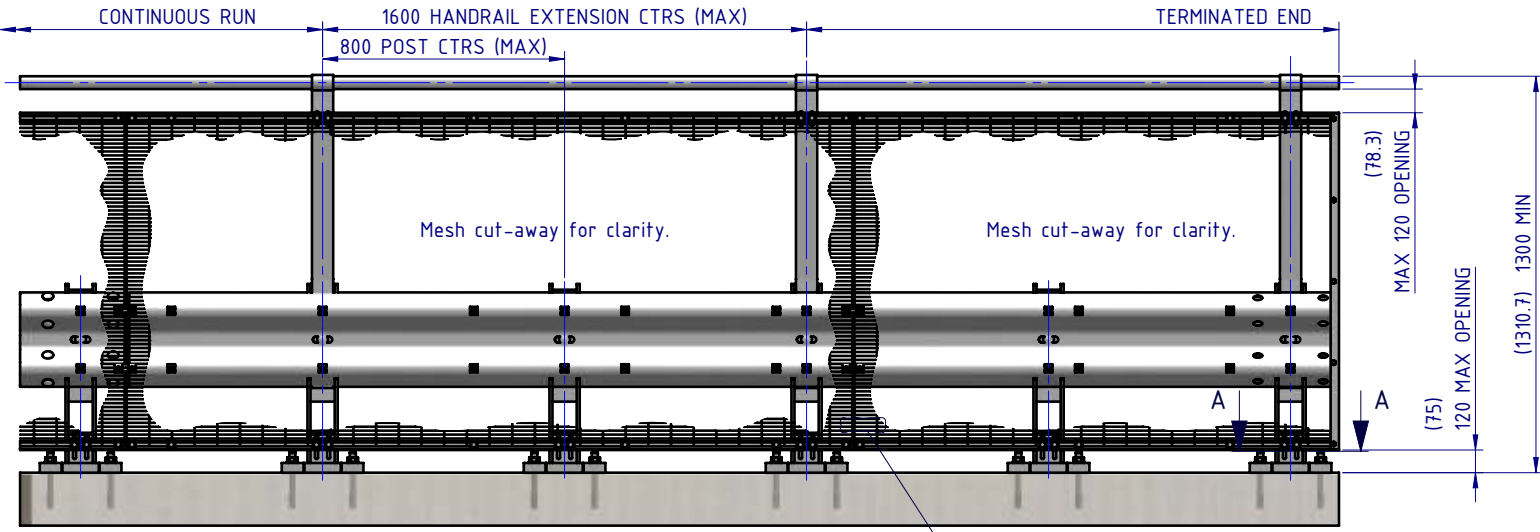
Rhino-Stop® 240 has been assessed to the 240kN impact load as described in AS/NZS 1170.1 clause 3.8 a) ii) for Light Traffic Areas, based on:

- Post spacing at Maximum 0.8 mtrs Centres
- Minimum 6 Post Assembly per Installation

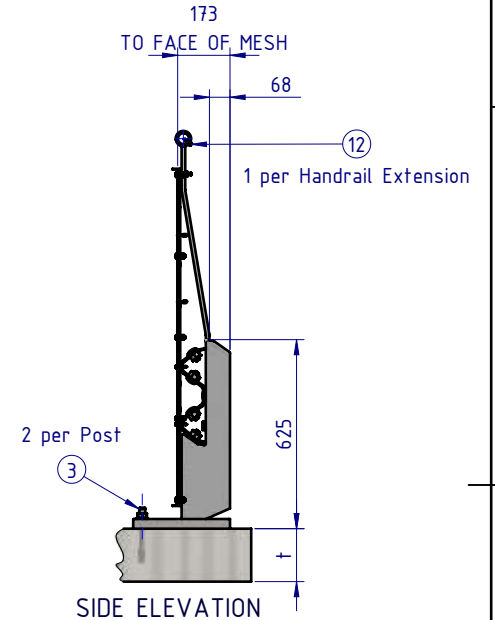
REVISIONS			
REV.	DESCRIPTION	DATE	APPV'D
A	Original Issue, supersedes GR-WB-175	19/07/2022	HW



PLAN VIEW

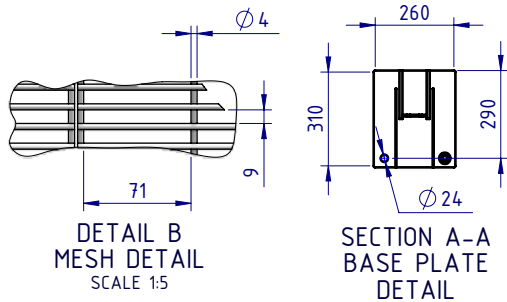


FRONT ELEVATION



SIDE ELEVATION

BOM			
ITEM NO.	PART NUMBER	DESCRIPTION	Weight kg
1	GR-PB-IS-0625-BG	Rhino-Stop® 240 Post	32.61
2	GR-MX-MX-1010-AG	Handrail Extension Type 6	6.57
3	GR-FS-20-0187-HG	FISCHER FBN II, M20x187mm	0.47
4	GR-WB-SR-4000-GG	W-Beam Guardrail 4.0m NLL, 0.8m CTRS	43.30
5	GR-EA-30-6000-BG	Mesh Support Angle	6.58
6	GR-EA-30-6000-BG	Mesh Support Angle	1.22
7	HR-PI-32-6500-AG	Handrail / Sight Rail Pipe 32NB	20.11
8	GR-MX-MX-2411-AG	Mesh Infill Panel 2400x1100, Ø4 wire, 71x9 aperture	4.37
9	GR-FS-16-0045-HG	M16x45 Hex Head Bolt & Nut Assy	0.02
10	GR-FS-16-0032-MG	M16x32 Mushroom Head SPLICE Bolt & Oversize Nut Assy CL8.8	0.21
11	GR-FS-16-0050-MG	M16x50 Mushroom Head POST Bolt & Oversize Nut Assy Class 4.6	0.23
12	GR-FS-14-0025-TG	14g x 25mm Hex Head Screw Self Tapping, 10 tpi, Class5, B8 Coating	
13	GR-FS-12-0035-TG	12g x 35mm Hex Head Screw Self Tapping, 10 tpi, Class5, B8 Coating	
14	GR-FS-08-0040-MG	M8x40 Square Neck Small Cup Head Bolt & Nut Assy	0.00
15	GR-FS-08-0025-MG	M8x25 Mushroom Head Bolt & Nut Assy CL4.6 HDG	0.00
16	GR-FS-08-0000-AG	M8 Square Hole Mesh Washer	0.01
17	GE-FS-08-0025-HG	M8x25 Hex Head Screw Class 8.8 B Coating	
18	GE-FS-08-0000-HG	M8 Hex Nut Class5 B-Coating	



DETAIL B MESH DETAIL SCALE 1:5

SECTION A-A BASE PLATE DETAIL

Post Anchor Bolt Installation Details		
Slab Thickness (t)	≤ 170mm	> 170mm
Anchor Bolt Part #	GR-FS-20-0160-HG	GR-FS-20-0187-HG
Anchor Bolt Type	Fischer FBN II Mechanical	Fischer FBN II Mechanical
Min. Embedment Depth	100mm	130mm
Drill Type	Masonry Bit	Masonry Bit
Drill diameter	Ø20mm	Ø20mm
Drill Depth	105mm	135mm
Minimum Torque	200Nm	200Nm

MATERIAL:

FINISH:

STATUS: **APPROVED**

SafeDirection CRASH BARRIER SOLUTIONS

ABN: 53 156 459 684

Copyright All rights reserved. These drawings, plans and specifications and the copyright therein are the properties of Safe Direction Pty Ltd, and must not be used, reproduced or copied wholly or in part without written permission.

U.N.O. TOLERANCES: ±1mm ALL DIMENSIONS ARE IN: mm

THIRD ANGLE PROJECTION

DRAWN: W. Rogulski 19/07/2022

CHK'D: T. Colquhoun 19/07/2022

APPV'D: H. Wallace 19/07/2022

TITLE: Carpark Barriers - Rhino-Stop® 240 GuardRail, Balustrade, Anti-Climb Mesh & Sight Rail General Arrangement

DWG NO: SD-CP-05006

REVISION: A

SHEET SIZE: A4

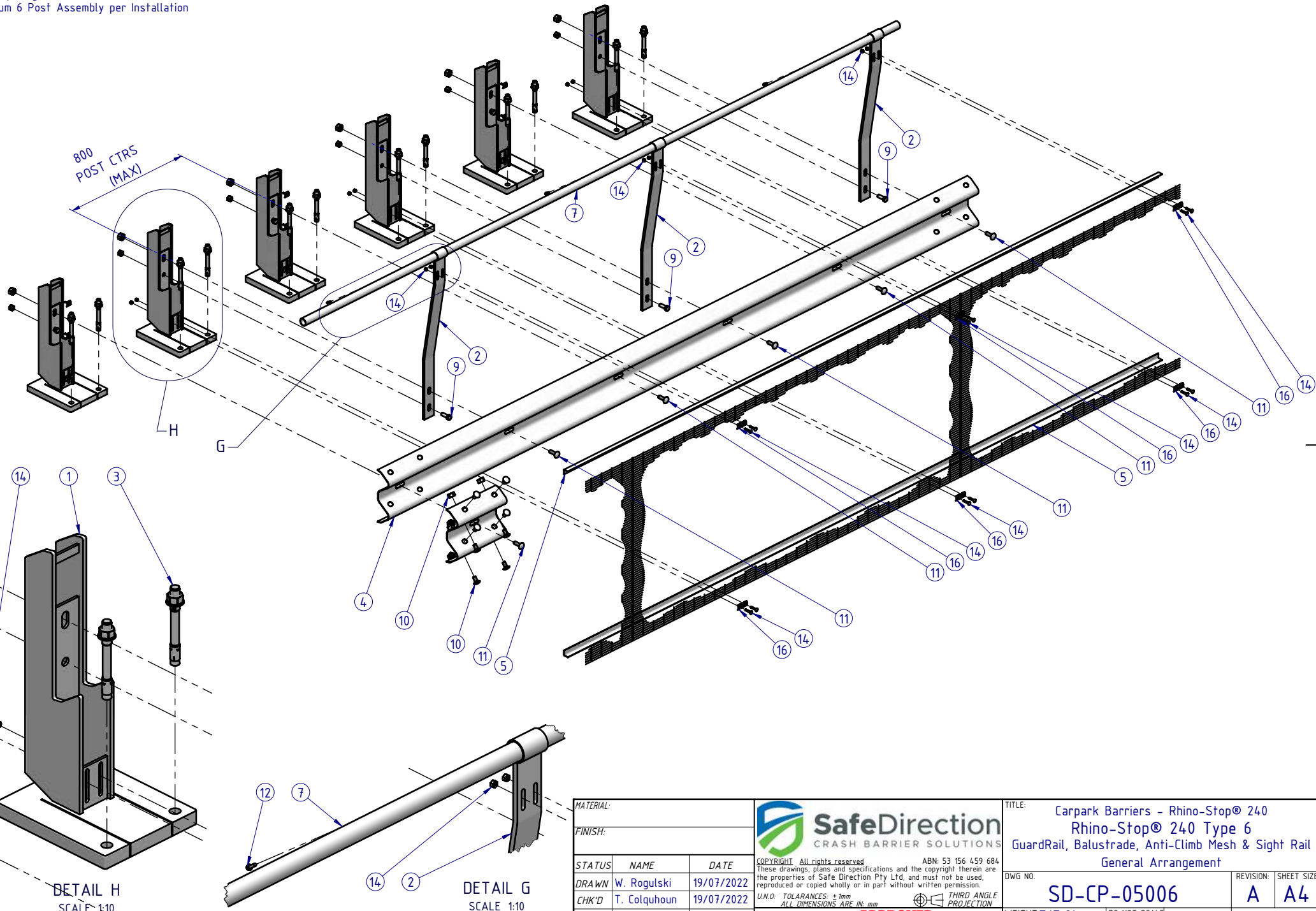
WEIGHT: 717.8kg

SCALE: 1:25

SHEET 1 of 5

Rhino-Stop® 240 has been assessed to the 240kN impact load as described in AS/NZS 1170.1 clause 3.8 a) ii) for Light Traffic Areas, based on:

- Post spacing at Maximum 0.8 mtrs Centres
- Minimum 6 Post Assembly per Installation



MATERIAL:		
FINISH:		
STATUS	NAME	DATE
DRAWN	W. Rogulski	19/07/2022
CHK'D	T. Colquhoun	19/07/2022
APPV'D	H. Wallace	19/07/2022

SafeDirection
CRASH BARRIER SOLUTIONS

COPYRIGHT All rights reserved. ABN: 53 156 459 684
These drawings, plans and specifications and the copyright therein are the properties of Safe Direction Pty Ltd, and must not be used, reproduced or copied wholly or in part without written permission.

U.N.O. TOLERANCES: ±1mm
ALL DIMENSIONS ARE IN: mm

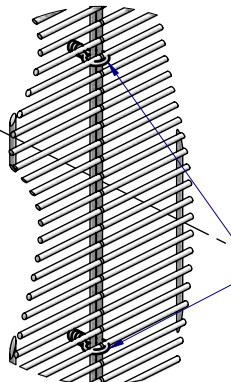
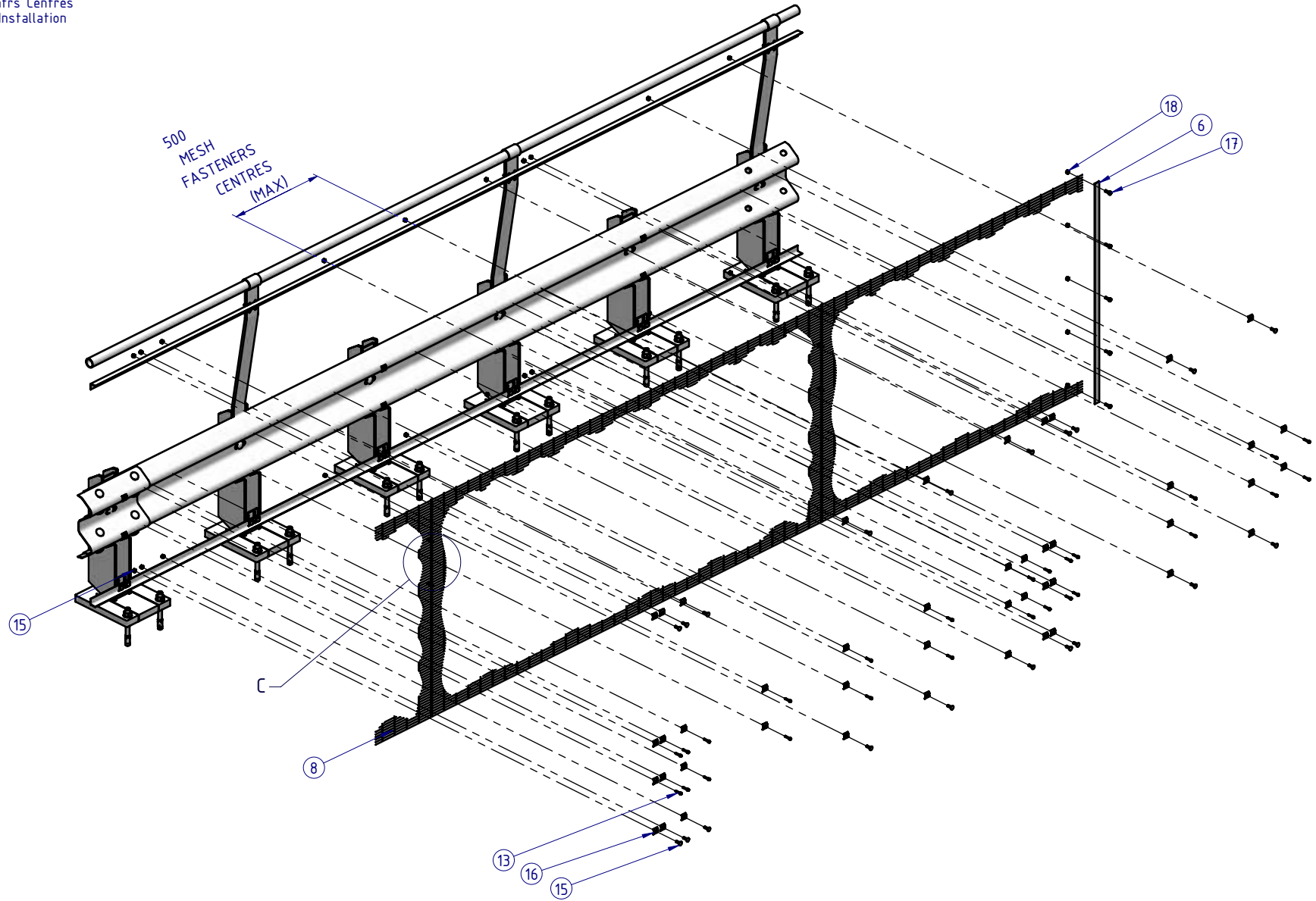
APPROVED

THIRD ANGLE PROJECTION

TITLE: Carpark Barriers - Rhino-Stop® 240 Rhino-Stop® 240 Type 6 GuardRail, Balustrade, Anti-Climb Mesh & Sight Rail General Arrangement			
DWG NO:	REVISION:	SHEET SIZE	
SD-CP-05006	A	A4	
WEIGHT: 717.8kg	DO NOT SCALE DRAWING	SCALE: 1:25	SHEET 2 of 5

Rhino-Stop® 240 has been assessed to the 240kN impact load as described in AS/NZS 1170.1 clause 3.8 a) ii) for Light Traffic Areas, based on:

- Post spacing at Maximum 0.8 mtrs Centres
- Minimum 6 Post Assembly per Installation



2-OFF to be installed at every Mesh Panel connection
Minimum Galvanised Wire Ø3, crimped
Vertically equispaced

DETAIL C
SCALE 1:5

MATERIAL:		
FINISH:		
STATUS	NAME	DATE
DRAWN	W. Rogulski	19/07/2022
CHK'D	T. Colquhoun	19/07/2022
APPV'D	H. Wallace	19/07/2022

SafeDirection
CRASH BARRIER SOLUTIONS

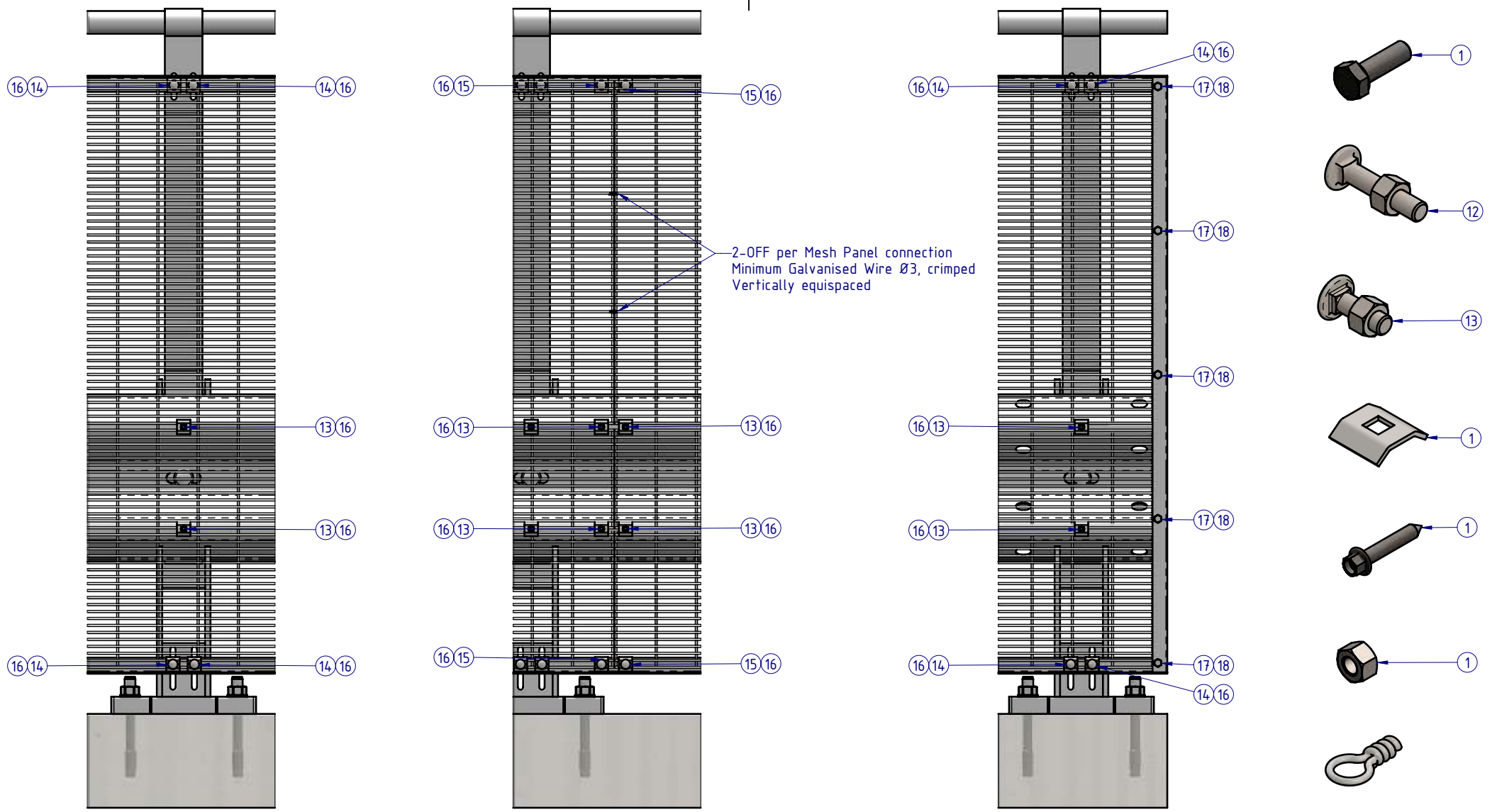
COPYRIGHT All rights reserved. ABN: 53 156 459 684
These drawings, plans and specifications and the copyright therein are the properties of Safe Direction Pty Ltd, and must not be used, reproduced or copied wholly or in part without written permission.

U.N.O. TOLERANCES: ±1mm
ALL DIMENSIONS ARE IN: mm

THIRD ANGLE PROJECTION

APPROVED

TITLE: Carpark Barriers - Rhino-Stop® 240 Rhino-Stop® 240 Type 6 GuardRail, Balustrade, Anti-Climb Mesh & Sight Rail General Arrangement			
DWG NO. SD-CP-05006	REVISION: A	SHEET SIZE A4	
WEIGHT: 717.8kg	DO NOT SCALE DRAWING	SCALE: 1:25	SHEET 3 of 5



2-OFF per Mesh Panel connection
Minimum Galvanised Wire Ø3, crimped
Vertically equispaced

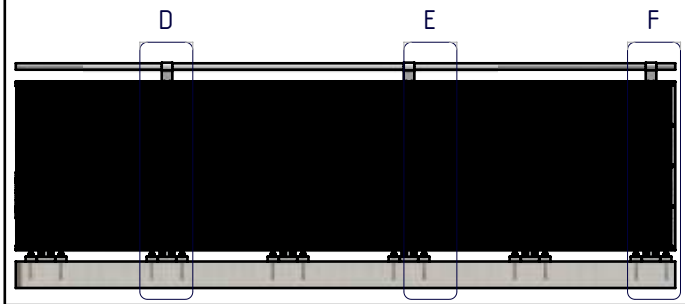
DETAIL D
AT POST CONNECTION

DETAIL E
MESH PANEL CONNECTION

DETAIL F
TERMINATION CONNECTION

MESH PANEL CONNECTION DETAILS
ALL FASTENERS TO BE USED AS SHOWN
ACCORDING TO CONNECTION TYPE

Rhino-Stop® 240 has been assessed to the 240kN impact load as described in AS/NZS 1170.1 clause 3.8 a) ii) for Light Traffic Areas, based on:
· Post spacing at Maximum 0.8 mtrs Centres
· Minimum 6 Post Assembly per Installation



MATERIAL:		
FINISH:		
STATUS	NAME	DATE
DRAWN	W. Rogulski	19/07/2022
CHK'D	T. Colquhoun	19/07/2022
APPV'D	H. Wallace	19/07/2022

SafeDirection
CRASH BARRIER SOLUTIONS

COPYRIGHT All rights reserved. These drawings, plans and specifications and the copyright therein are the properties of Safe Direction Pty Ltd, and must not be used, reproduced or copied wholly or in part without written permission.

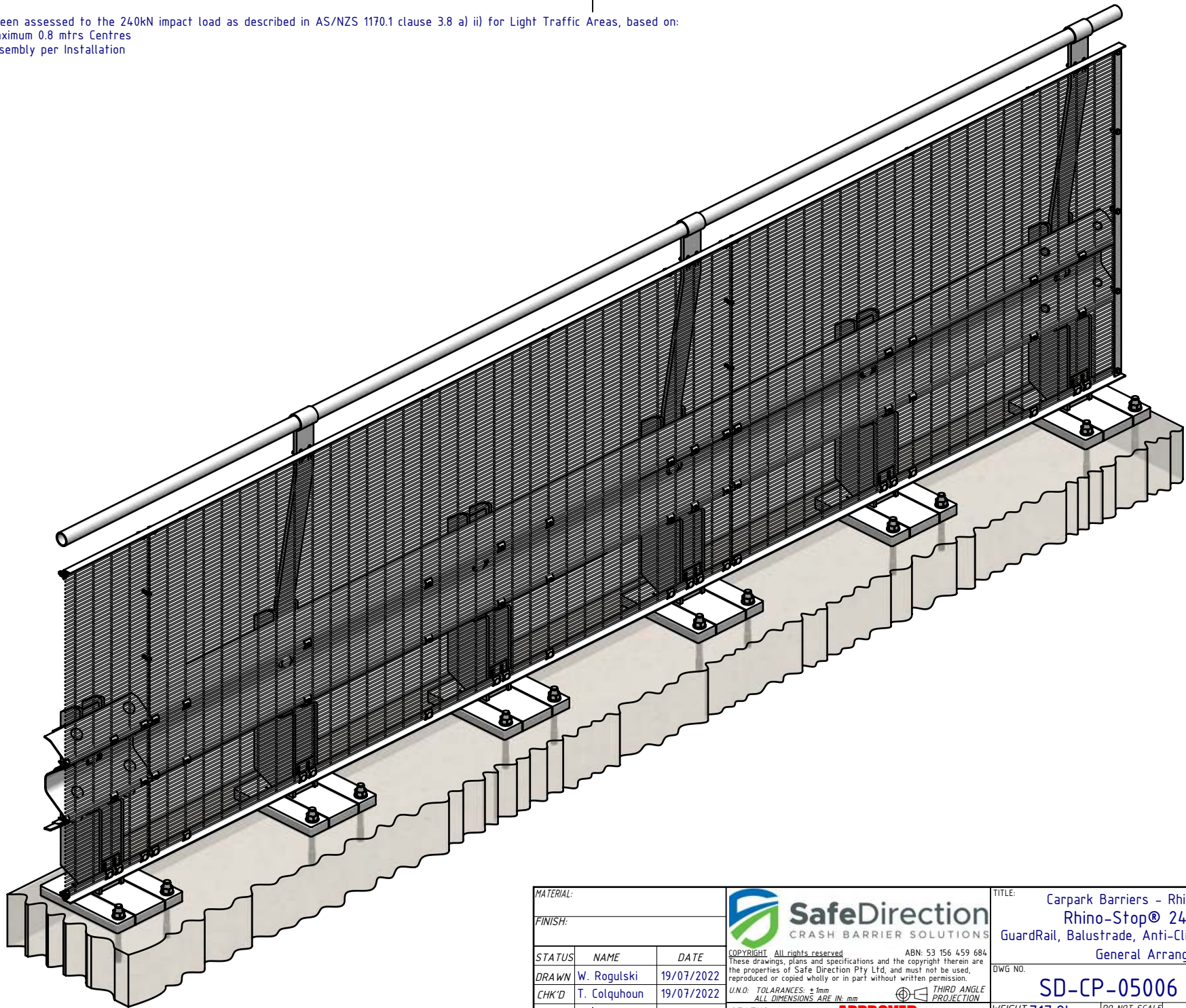
U.N.O. TOLERANCES: ±1mm
ALL DIMENSIONS ARE IN: mm

APPROVED

TITLE: Carpark Barriers - Rhino-Stop® 240 Rhino-Stop® 240 Type 6 GuardRail, Balustrade, Anti-Climb Mesh & Sight Rail General Arrangement		REVISION:	SHEET SIZE
DWG NO: SD-CP-05006	REVISION: A	SHEET SIZE A4	
WEIGHT: 717.8kg	SCALE: 1:10	SHEET 4 of 5	

Rhino-Stop® 240 has been assessed to the 240kN impact load as described in AS/NZS 1170.1 clause 3.8 a) ii) for Light Traffic Areas, based on:

- Post spacing at Maximum 0.8 mtrs Centres
- Minimum 6 Post Assembly per Installation



MATERIAL:		
FINISH:		
STATUS	NAME	DATE
DRAWN	W. Rogulski	19/07/2022
CHK'D	T. Colquhoun	19/07/2022
APPV'D	H. Wallace	19/07/2022

SafeDirection
CRASH BARRIER SOLUTIONS

COPYRIGHT All rights reserved. ABN: 53 156 459 684
These drawings, plans and specifications and the copyright therein are the properties of Safe Direction Pty Ltd, and must not be used, reproduced or copied wholly or in part without written permission.

U.N.O. TOLERANCES: ±1mm
ALL DIMENSIONS ARE IN: mm

THIRD ANGLE PROJECTION

APPROVED

TITLE: Carpark Barriers - Rhino-Stop® 240 Rhino-Stop® 240 Type 6 GuardRail, Balustrade, Anti-Climb Mesh & Sight Rail General Arrangement		
DWG NO. SD-CP-05006	REVISION: A	SHEET SIZE: A4
WEIGHT: 717.8kg	DO NOT SCALE DRAWING	SCALE: 1:15
STATUS:		SHEET 5 of 5