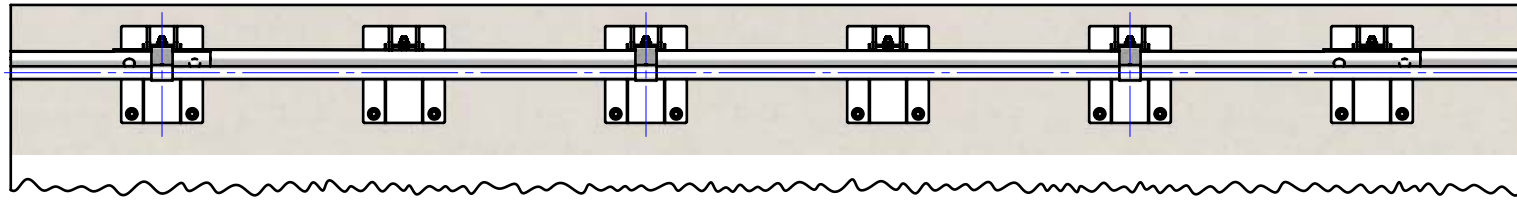


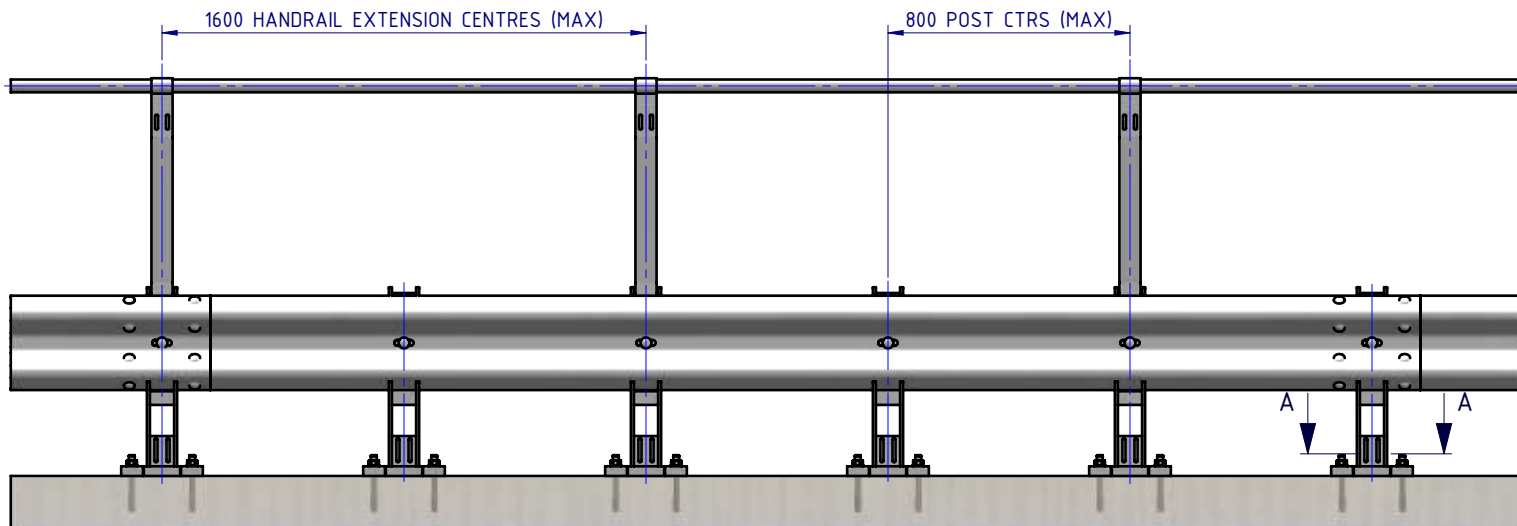
Rhino-Stop® 240 has been assessed to the 240kN impact load as described in AS/NZS 1170.1 clause 3.8 a) ii) for Light Traffic Areas, based on:

- Post spacing at Maximum 0.8 mtrs Centres
- Minimum 6 Post Assembly per Installation

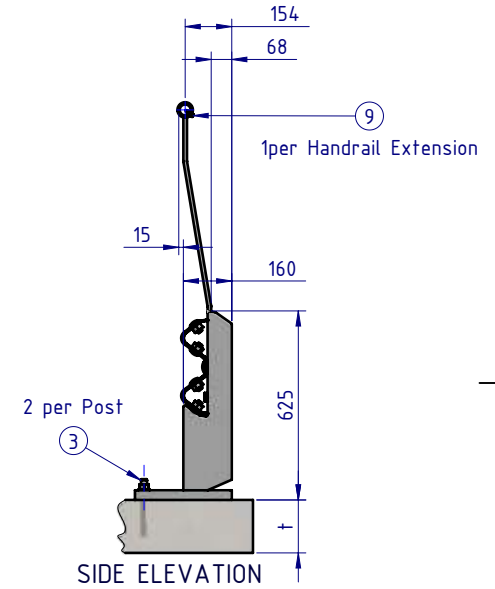
REVISIONS				
REV.	ZONE	DESCRIPTION	DATE	APPV'D
A		Original Issue, supersedes GR-WB-174	20/07/2022	HW



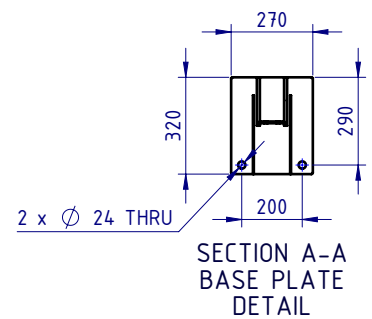
PLAN VIEW



FRONT ELEVATION



SIDE ELEVATION



SECTION A-A  
BASE PLATE  
DETAIL

Post Anchor Bolt Installation Details		
Slab Thickness (t)	≤ 170mm	> 170mm
Anchor Bolt Part #	GR-FS-20-0160-HG	GR-FS-20-0187-HG
Anchor Bolt Type	Fischer FBN II Mechanical	Fischer FBN II Mechanical
Min. Embedment Depth	100mm	130mm
Drill Type	Masonry Bit	Masonry Bit
Drill diameter	Ø20mm	Ø20mm
Drill Depth	105mm	135mm
Minimum Torque	200Nm	200Nm

BOM			
ITEM NO.	PART NUMBER	DESCRIPTION	Weight kg
1	GR-PB-IS-0625-BG	Rhino-Stop® 240 Post	32.6
2	GR-MX-MX-1010-AG	Handrail Extension Type 6	6.6
3	GR-FS-20-0187-HG	FISCHER FBN II, M20x187mm	0.5
4	GR-WB-SR-4000-GG	W-Beam Guardrail 4.0m NLL, 0.8m CTRS	43.3
5	HR-PI-32-6500-AG	Handrail / Sight Rail Pipe 32NB	20.1
6	GR-FS-16-0045-HG	M16x45 Hex Head Bolt & Nut Assy	0.0
7	GR-FS-16-0032-MG	M16x32 Mushroom Head SPLICE Bolt & Oversize Nut Assy CL8.8	0.2
8	GR-FS-16-0050-MG	M16x50 Mushroom Head POST Bolt & Oversize Nut Assy Class 4.6	0.2
9	GR-FS-14-0025-TG	14g x 25mm Hex Head Screw Self Tapping, 10 tpi, Class5, B8 Coating	

MATERIAL:		
FINISH:		
STATUS	NAME	DATE
DRAWN	W. Rogulski	20/07/2022
CHK'D	T. Colquhoun	20/07/2022
APPV'D	H. Wallace	20/07/2022

**SafeDirection**  
CRASH BARRIER SOLUTIONS

COPYRIGHT: All rights reserved. These drawings, plans and specifications and the copyright therein are the properties of Safe Direction Pty Ltd, and must not be used, reproduced or copied wholly or in part without written permission.

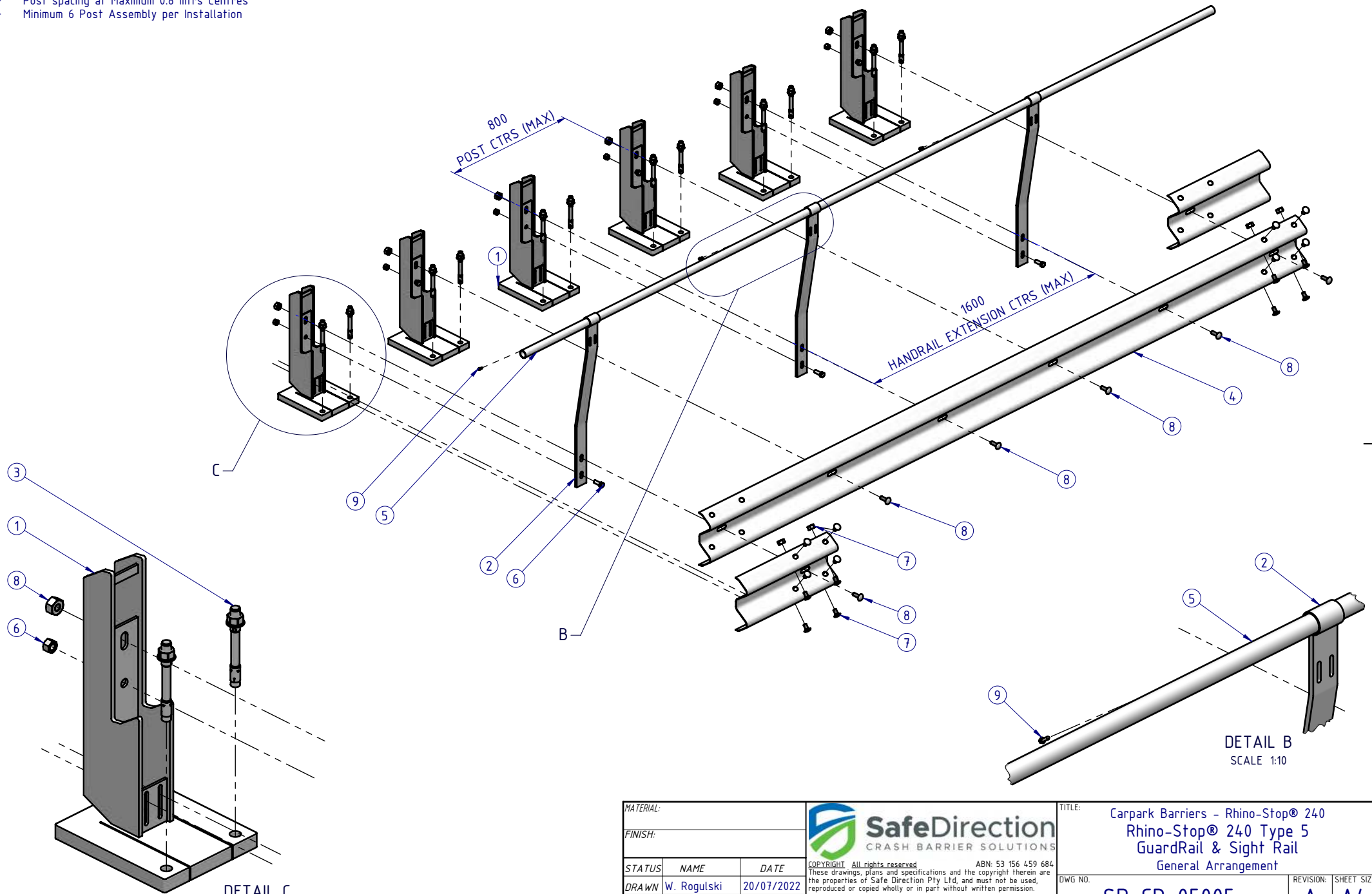
U.N.O. TOLERANCES: ±1mm ALL DIMENSIONS ARE IN: mm

**APPROVED**

TITLE: Carpark Barriers - Rhino-Stop® 240 Rhino-Stop® 240 Type 5 GuardRail & Sight Rail General Arrangement			
DWG NO. SD-CP-05005	REVISION: A	SHEET SIZE: A4	
WEIGHT: 826.8kg	SCALE: 1:25	SHEET 1 of 3	


Rhino-Stop® 240 has been assessed to the 240kN impact load as described in AS/NZS 1170.1 clause 3.8 a) ii) for Light Traffic Areas, based on:

- Post spacing at Maximum 0.8 mtrs Centres
- Minimum 6 Post Assembly per Installation



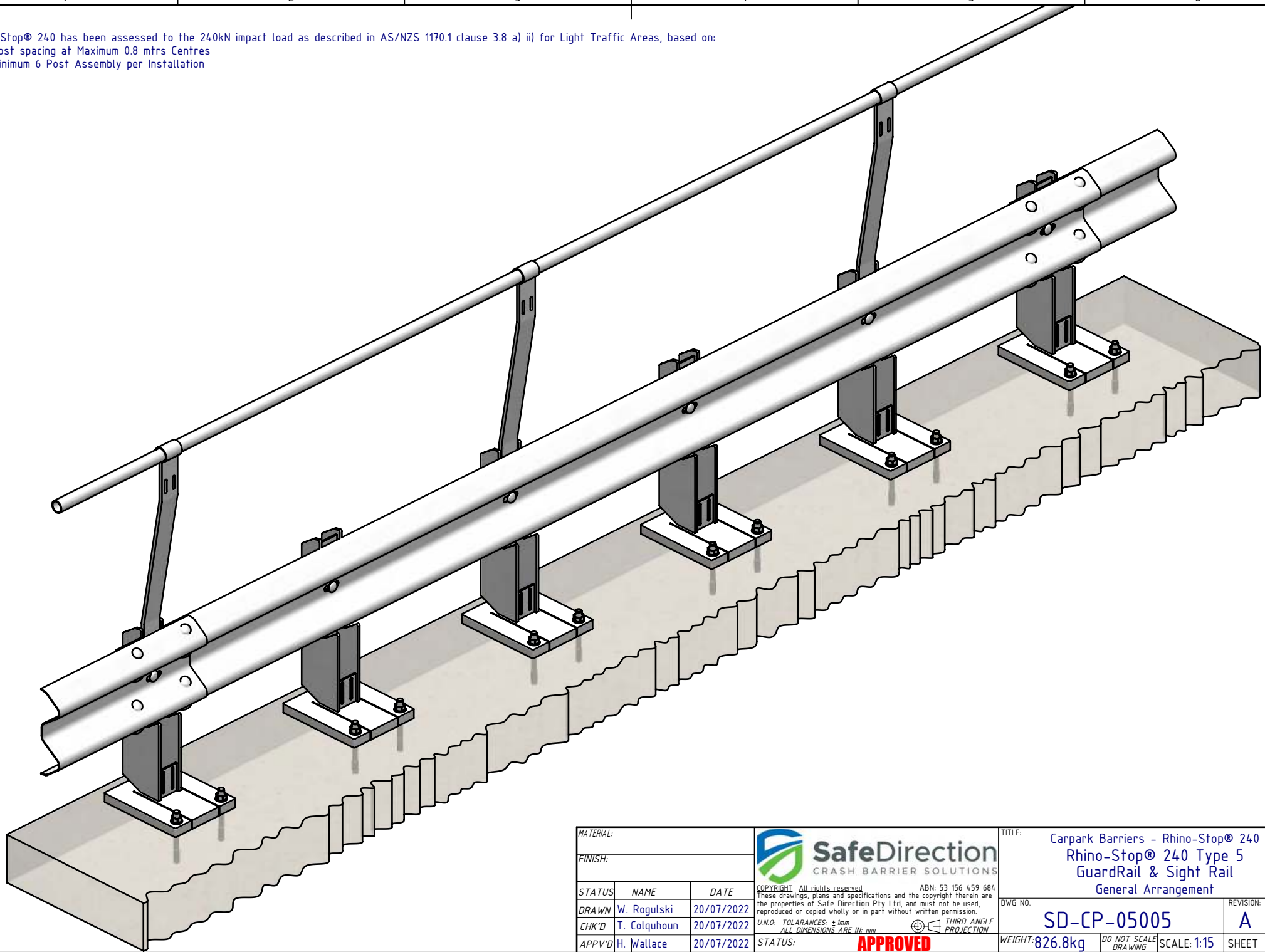
DETAIL C  
SCALE 1:10


DETAIL B  
SCALE 1:10

MATERIAL:			 <b>SafeDirection</b> CRASH BARRIER SOLUTIONS	TITLE: Carpark Barriers - Rhino-Stop® 240		
FINISH:				Rhino-Stop® 240 Type 5 GuardRail & Sight Rail General Arrangement		
STATUS	NAME	DATE	<small>COPYRIGHT All rights reserved ABN: 53 156 459 684          These drawings, plans and specifications and the copyright therein are the properties of Safe Direction Pty Ltd, and must not be used, reproduced or copied wholly or in part without written permission.</small>			
DRAWN	W. Rogulski	20/07/2022	DWG NO.	SD-CP-05005	REVISION: A	
CHK'D	T. Colquhoun	20/07/2022	<small>U.N.O. TOLERANCES: ±1mm          ALL DIMENSIONS ARE IN: mm</small>		SHEET SIZE: A4	
APPV'D	H. Wallace	20/07/2022	<small>THIRD ANGLE PROJECTION</small> <b>APPROVED</b>		WEIGHT: 826.8kg	
STATUS:			DO NOT SCALE DRAWING	SCALE: 1:25	SHEET 2 of 3	

Rhino-Stop® 240 has been assessed to the 240kN impact load as described in AS/NZS 1170.1 clause 3.8 a) ii) for Light Traffic Areas, based on:

- Post spacing at Maximum 0.8 mtrs Centres
- Minimum 6 Post Assembly per Installation



MATERIAL:			 <b>SafeDirection</b> CRASH BARRIER SOLUTIONS		TITLE: Carpark Barriers - Rhino-Stop® 240 Rhino-Stop® 240 Type 5 GuardRail & Sight Rail General Arrangement							
FINISH:					<small>COPYRIGHT All rights reserved ABN: 53 156 459 684</small> <small>These drawings, plans and specifications and the copyright therein are the properties of Safe Direction Pty Ltd, and must not be used, reproduced or copied wholly or in part without written permission.</small>		DWG NO:	REVISION:	SHEET SIZE			
STATUS	NAME	DATE	<small>U.N.O. TOLERANCES: ±1mm</small> <small>ALL DIMENSIONS ARE IN: mm</small>		SD-CP-05005			A	A4			
DRAWN	W. Rogulski	20/07/2022			<small>THIRD ANGLE PROJECTION</small>		WEIGHT: 826.8kg		DO NOT SCALE DRAWING	SCALE: 1:15	SHEET 3 of 3	
CHK'D	T. Colquhoun	20/07/2022					STATUS: <b>APPROVED</b>					
APPV'D	H. Wallace	20/07/2022										