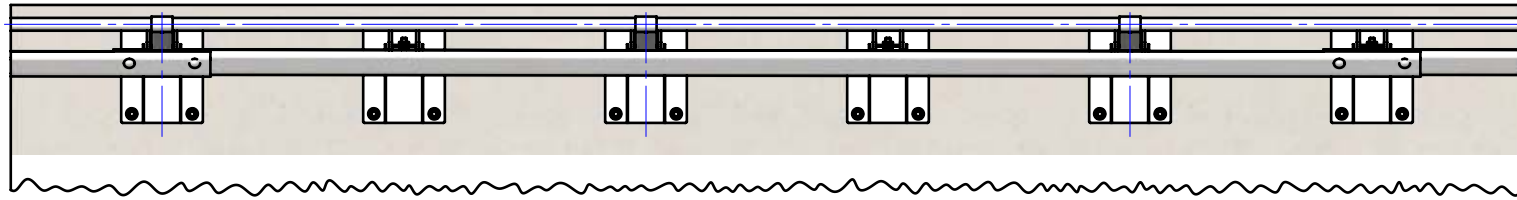


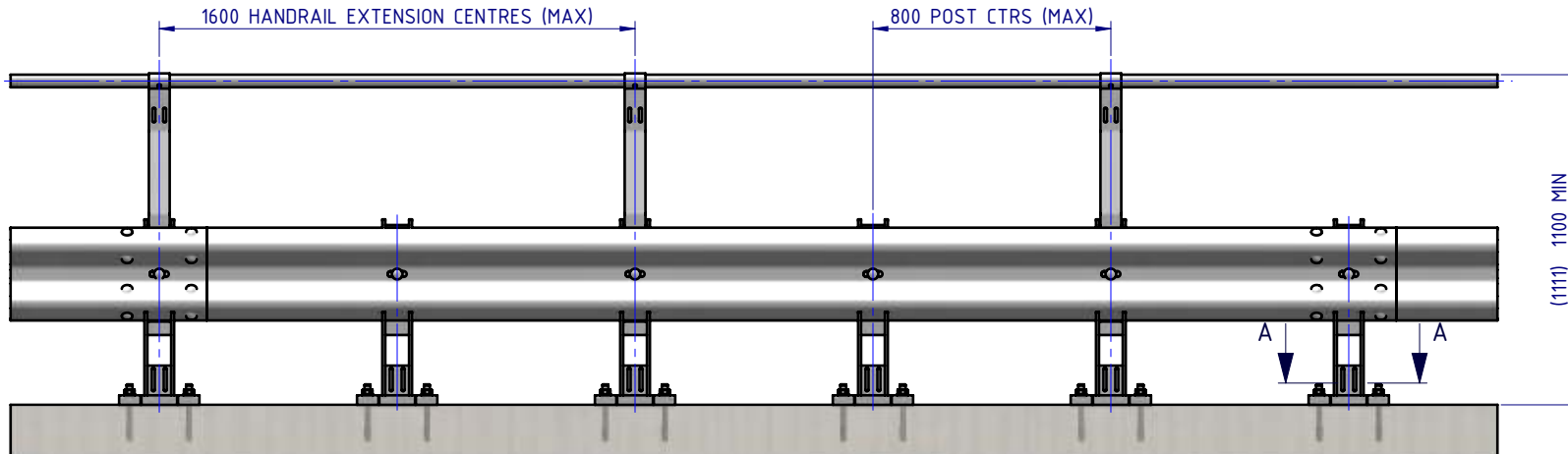
Rhino-Stop® 240 has been assessed to the 240kN impact load as described in AS/NZS 1170.1 clause 3.8 a) ii) for Light Traffic Areas, based on:

- Post spacing at Maximum 0.8 mtrs Centres
- Minimum 6 Post Assembly per Installation

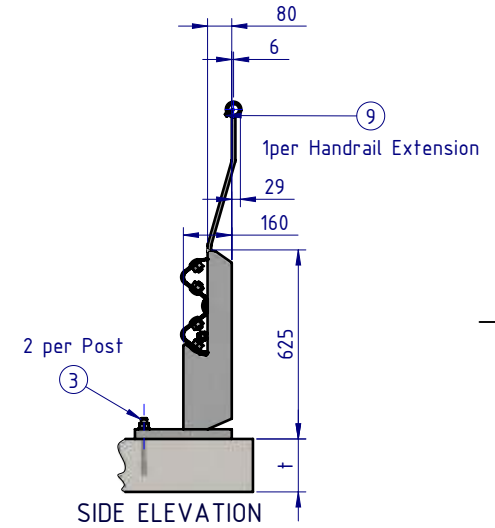
REVISIONS				
REV.	ZONE	DESCRIPTION	DATE	APPV'D
A		Original Issue, supersedes GR-WB-171	20/07/2022	HW



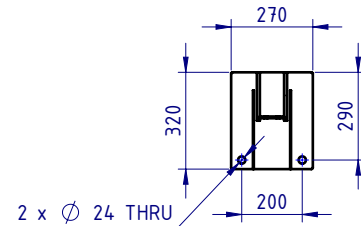
PLAN VIEW



FRONT ELEVATION



SIDE ELEVATION



SECTION A-A
BASE PLATE
DETAIL

Post Anchor Bolt Installation Details		
Slab Thickness (t)	≤ 170mm	> 170mm
Anchor Bolt Part #	GR-FS-20-0160-HG	GR-FS-20-0187-HG
Anchor Bolt Type	Fischer FBN II Mechanical	Fischer FBN II Mechanical
Min. Embedment Depth	100mm	130mm
Drill Type	Masonry Bit	Masonry Bit
Drill diameter	Ø20mm	Ø20mm
Drill Depth	105mm	135mm
Minimum Torque	200Nm	200Nm

BOM			
ITEM NO.	PART NUMBER	DESCRIPTION	Weight kg
1	GR-PB-IS-0625-BG	Rhino-Stop® 240 Post	32.6
2	GR-MX-MX-0800-AG	Handrail Extension Type 4	5.3
3	GR-FS-20-0187-HG	FISCHER FBN II, M20x187mm	0.5
4	GR-WB-SR-4000-GG	W-Beam Guardrail 4.0m NLL, 0.8m CTRS	43.3
5	HR-PI-32-6500-AG	Handrail / Sight Rail Pipe 32NB	20.1
6	GR-FS-16-0045-HG	M16x45 Hex Head Bolt & Nut Assy	0.0
7	GR-FS-16-0032-MG	M16x32 Mushroom Head SPLICE Bolt & Oversize Nut Assy CL8.8	0.2
8	GR-FS-16-0050-MG	M16x50 Mushroom Head POST Bolt & Oversize Nut Assy Class 4.6	0.2
9	GR-FS-14-0025-TG	14g x 25mm Hex Head Screw Self Tapping, 10 tpi, Class5, B8 Coating	

MATERIAL:		
FINISH:		
STATUS	NAME	DATE
DRAWN	W. Rogulski	20/07/2022
CHK'D	T. Colquhoun	20/07/2022
APPV'D	H. Wallace	20/07/2022

SafeDirection
CRASH BARRIER SOLUTIONS

COPYRIGHT All rights reserved. These drawings, plans and specifications and the copyright therein are the properties of Safe Direction Pty Ltd, and must not be used, reproduced or copied wholly or in part without written permission.

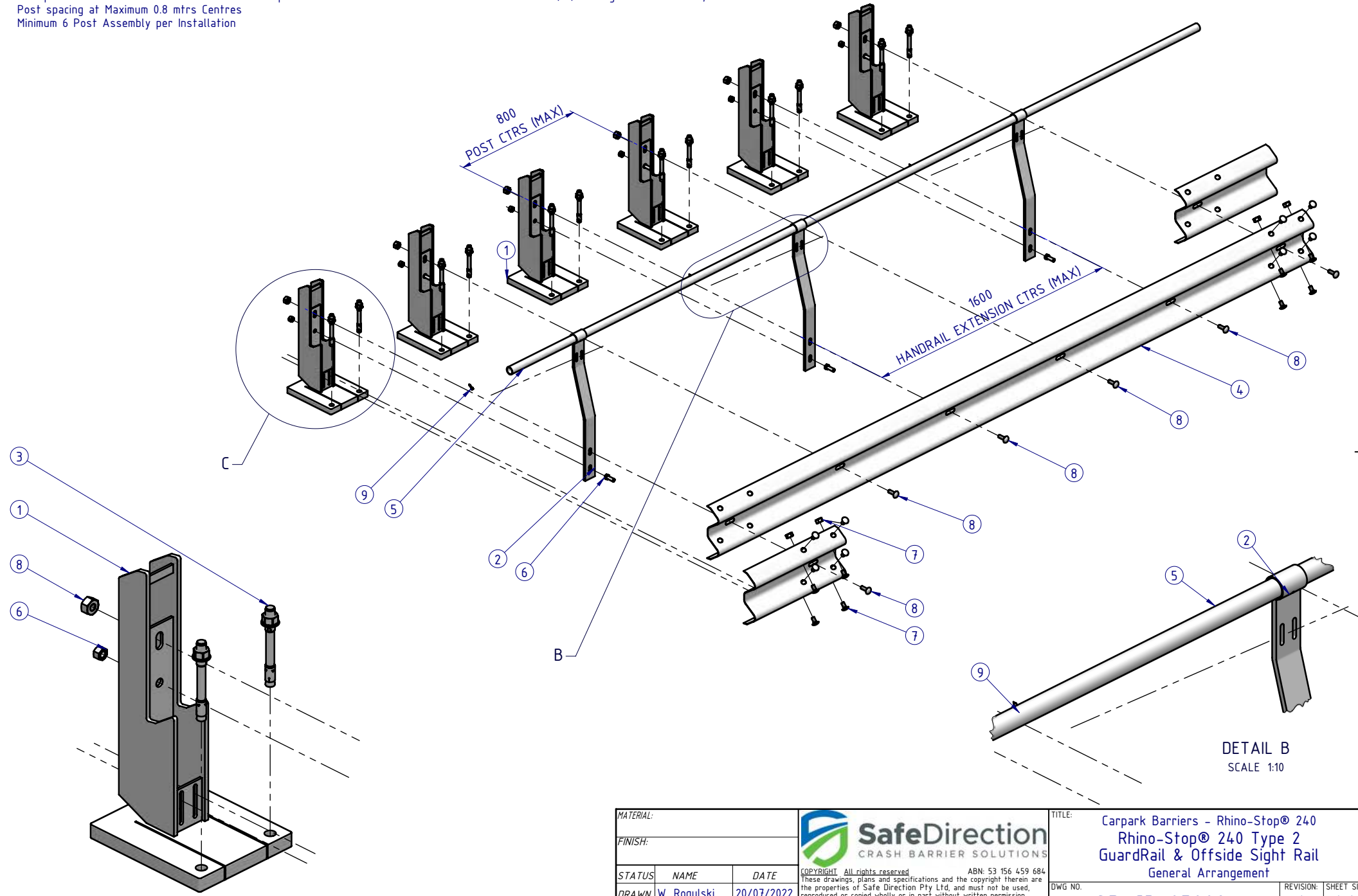
U.N.O. TOLERANCES: ±1mm ALL DIMENSIONS ARE IN: mm

APPROVED

TITLE: Carpark Barriers - Rhino-Stop® 240 Rhino-Stop® 240 Type 2 GuardRail & Offside Sight Rail General Arrangement			
DWG NO. SD-CP-05002	REVISION: A	SHEET SIZE: A4	
WEIGHT: 822.9kg	DO NOT SCALE DRAWING	SCALE: 1:25	SHEET 1 of 3



Rhino-Stop® 240 has been assessed to the 240kN impact load as described in AS/NZS 1170.1 clause 3.8 a) ii) for Light Traffic Areas, based on:

- Post spacing at Maximum 0.8 mtrs Centres
- Minimum 6 Post Assembly per Installation



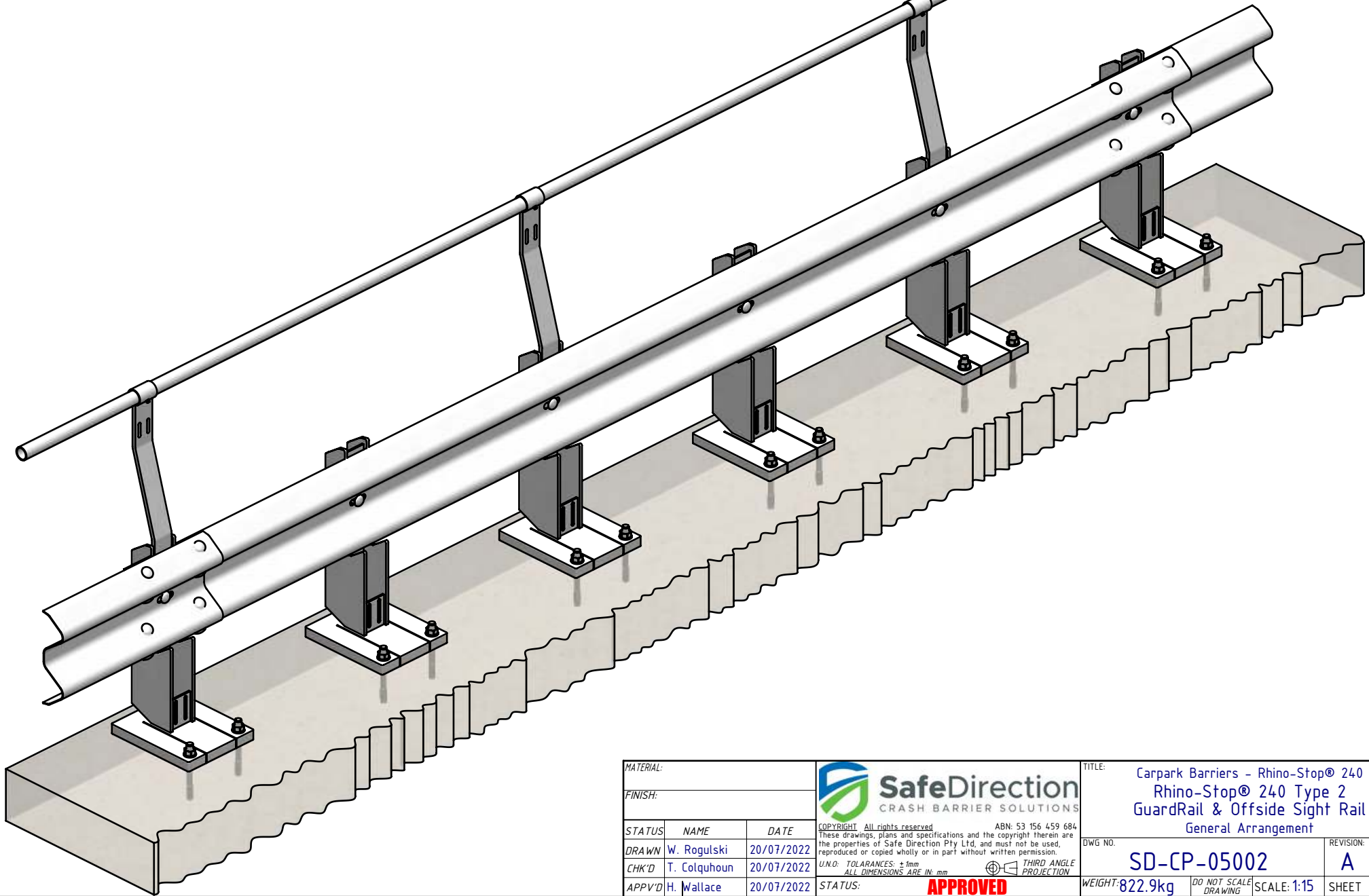
DETAIL C
SCALE 1:10


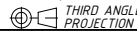
DETAIL B
SCALE 1:10

MATERIAL:			 SafeDirection CRASH BARRIER SOLUTIONS	TITLE: Carpark Barriers - Rhino-Stop® 240 Rhino-Stop® 240 Type 2 GuardRail & Offside Sight Rail General Arrangement		
FINISH:				DWG NO. SD-CP-05002 REVISION: A SHEET SIZE A4		
STATUS	NAME	DATE	<small>COPYRIGHT All rights reserved ABN: 53 156 459 684</small> <small>These drawings, plans and specifications and the copyright therein are the properties of Safe Direction Pty Ltd, and must not be used, reproduced or copied wholly or in part without written permission.</small> <small>U.N.O: TOLARANCES: ±1mm ALL DIMENSIONS ARE IN: mm</small>  THIRD ANGLE PROJECTION			
DRAWN	W. Rogulski	20/07/2022				
CHK'D	T. Colquhoun	20/07/2022				
APPV'D	H. Wallace	20/07/2022				
STATUS: APPROVED			WEIGHT: 822.9kg	<small>DO NOT SCALE DRAWING</small>	SCALE: 1:25	SHEET 2 of 3

Rhino-Stop® 240 has been assessed to the 240kN impact load as described in AS/NZS 1170.1 clause 3.8 a) ii) for Light Traffic Areas, based on:

- Post spacing at Maximum 0.8 mtrs Centres
- Minimum 6 Post Assembly per Installation



MATERIAL:			 SafeDirection CRASH BARRIER SOLUTIONS	TITLE: Carpark Barriers - Rhino-Stop® 240 Rhino-Stop® 240 Type 2 GuardRail & Offside Sight Rail General Arrangement					
FINISH:				DWG NO: SD-CP-05002 REVISION: A SHEET SIZE: A4					
STATUS	NAME	DATE	<small>COPYRIGHT All rights reserved ABN: 53 156 459 684 These drawings, plans and specifications and the copyright therein are the properties of Safe Direction Pty Ltd, and must not be used, reproduced or copied wholly or in part without written permission. U.N.O. TOLERANCES: ±1mm ALL DIMENSIONS ARE IN: mm</small>  APPROVED			WEIGHT: 822.9kg	DO NOT SCALE DRAWING	SCALE: 1:15	SHEET 3 of 3
DRAWN	W. Rogulski	20/07/2022							
CHK'D	T. Colquhoun	20/07/2022							
APPV'D	H. Wallace	20/07/2022							
STATUS:			<small>© SDCS YD\SDV\Assembly\SD-CP Carpark Barriers\SD-CP-05000 RhinoStop 240\SD-CP-05002 - RhinoStop 240 Type 2 - Wednesday, 20 July 2022 3:31:50 PM</small>						