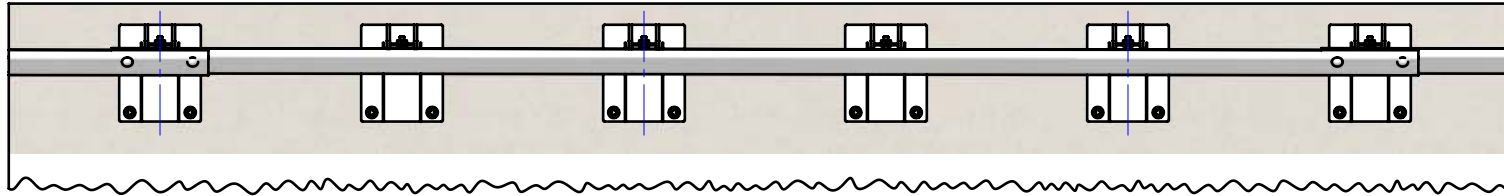


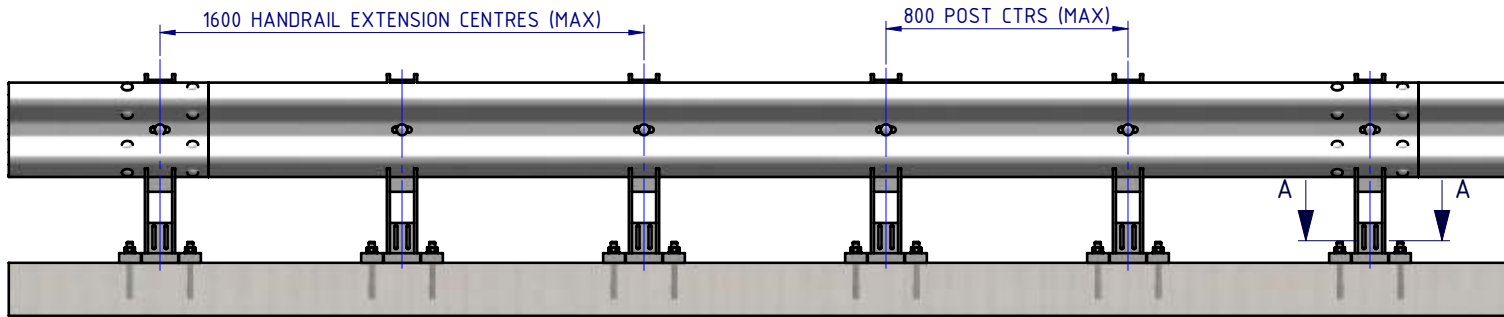
Rhino-Stop® 240 has been assessed to the 240kN impact load as described in AS/NZS 1170.1 clause 3.8 a) ii) for Light Traffic Areas, based on:

- Post spacing at Maximum 0.8 mtrs Centres
- Minimum 6 Post Assembly per Installation

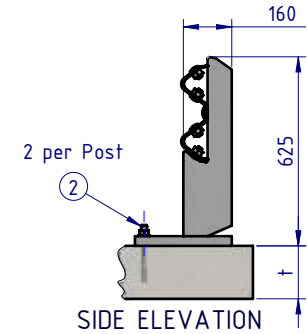
REVISIONS				
REV.	ZONE	DESCRIPTION	DATE	APPV'D
A		Original Issue, supersedes GR-WB-170	20/07/2022	HW



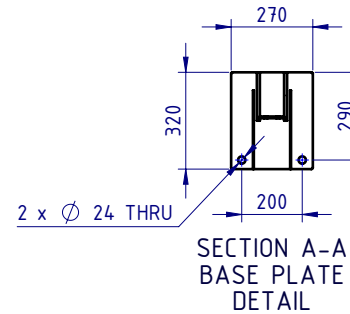
PLAN VIEW



FRONT ELEVATION



SIDE ELEVATION



SECTION A-A  
BASE PLATE  
DETAIL

Post Anchor Bolt Installation Details		
Slab Thickness (t)	≤ 170mm	> 170mm
Anchor Bolt Part #	GR-FS-20-0160-HG	GR-FS-20-0187-HG
Anchor Bolt Type	Fischer FBN II Mechanical	Fischer FBN II Mechanical
Min. Embedment Depth	100mm	130mm
Drill Type	Masonry Bit	Masonry Bit
Drill diameter	Ø20mm	Ø20mm
Drill Depth	105mm	135mm
Minimum Torque	200Nm	200Nm

BOM			
ITEM NO.	PART NUMBER	DESCRIPTION	Weight kg
1	GR-PB-IS-0625-BG	Rhino-Stop® 240 Post	32.6
2	GR-FS-20-0187-HG	FISCHER FBN II, M20x187mm	0.5
3	GR-WB-SR-4000-GG	W-Beam Guardrail 4.0m NLL, 0.8m CTRS	43.3
4	GR-FS-16-0032-MG	M16x32 Mushroom Head SPLICE Bolt & Oversize Nut Assy CL8.8	0.2
5	GR-FS-16-0050-MG	M16x50 Mushroom Head POST Bolt & Oversize Nut Assy Class 4.6	0.2

MATERIAL:		
FINISH:		
STATUS	NAME	DATE
DRAWN	W. Rogulski	20/07/2022
CHK'D	T. Colquhoun	20/07/2022
APPV'D	H. Wallace	20/07/2022

**SafeDirection**  
CRASH BARRIER SOLUTIONS

COPYRIGHT All rights reserved. These drawings, plans and specifications and the copyright therein are the properties of Safe Direction Pty Ltd, and must not be used, reproduced or copied wholly or in part without written permission.

ABN: 53 156 459 684  
U.N.O. TOLERANCES: ±1mm  
ALL DIMENSIONS ARE IN: mm

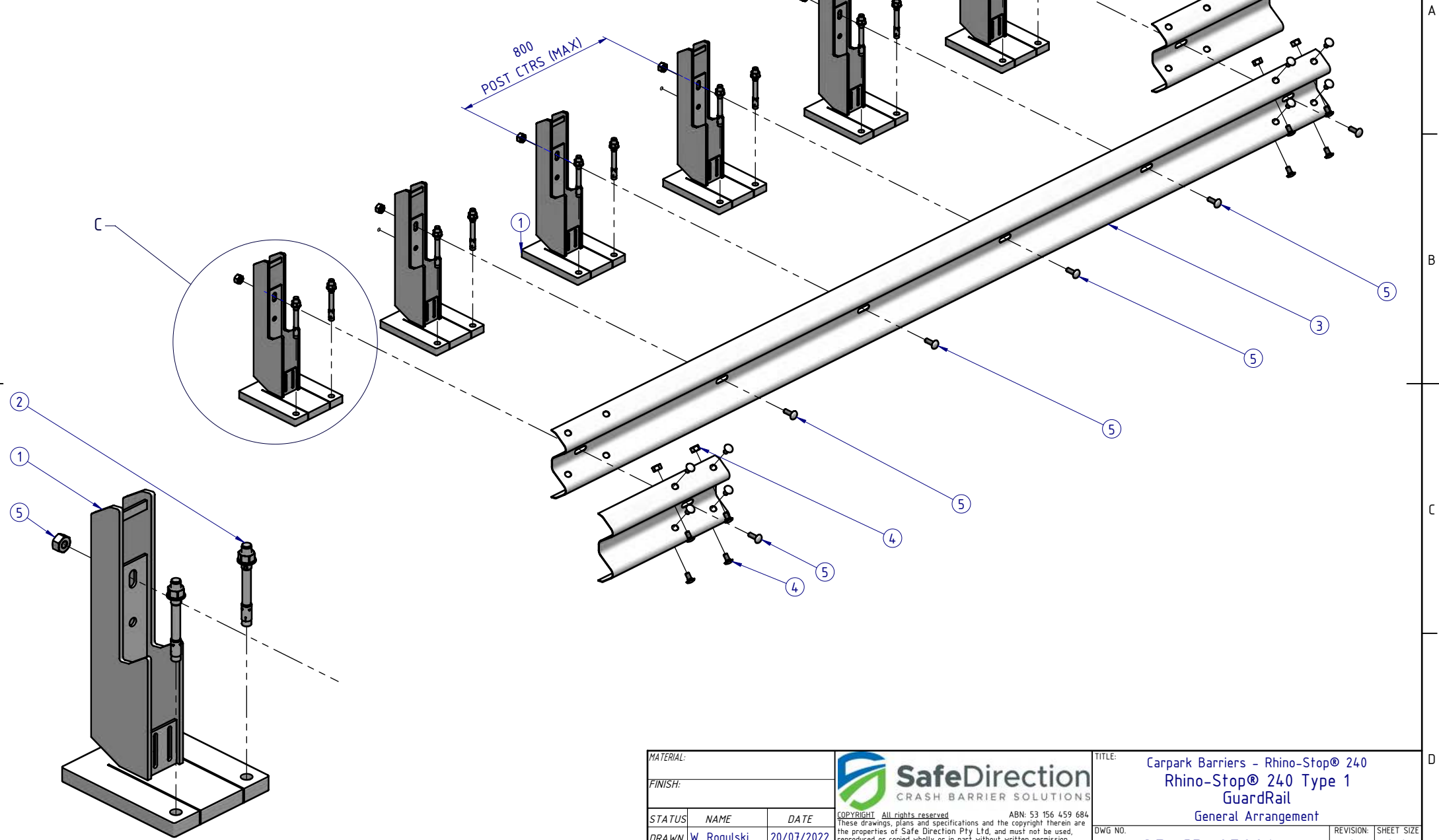
THIRD ANGLE PROJECTION

**APPROVED**


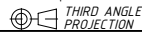
TITLE: Carpark Barriers - Rhino-Stop® 240 Rhino-Stop® 240 Type 1 GuardRail General Arrangement			
DWG NO.	REVISION:	SHEET SIZE	
SD-CP-05001	A	A4	
WEIGHT: 791.5kg	DO NOT SCALE DRAWING	SCALE: 1:25	SHEET 1 of 3

Rhino-Stop® 240 has been assessed to the 240kN impact load as described in AS/NZS 1170.1 (clause 3.8 a) ii) for Light Traffic Areas, based on:

- Post spacing at Maximum 0.8 mtrs Centres
- Minimum 6 Post Assembly per Installation

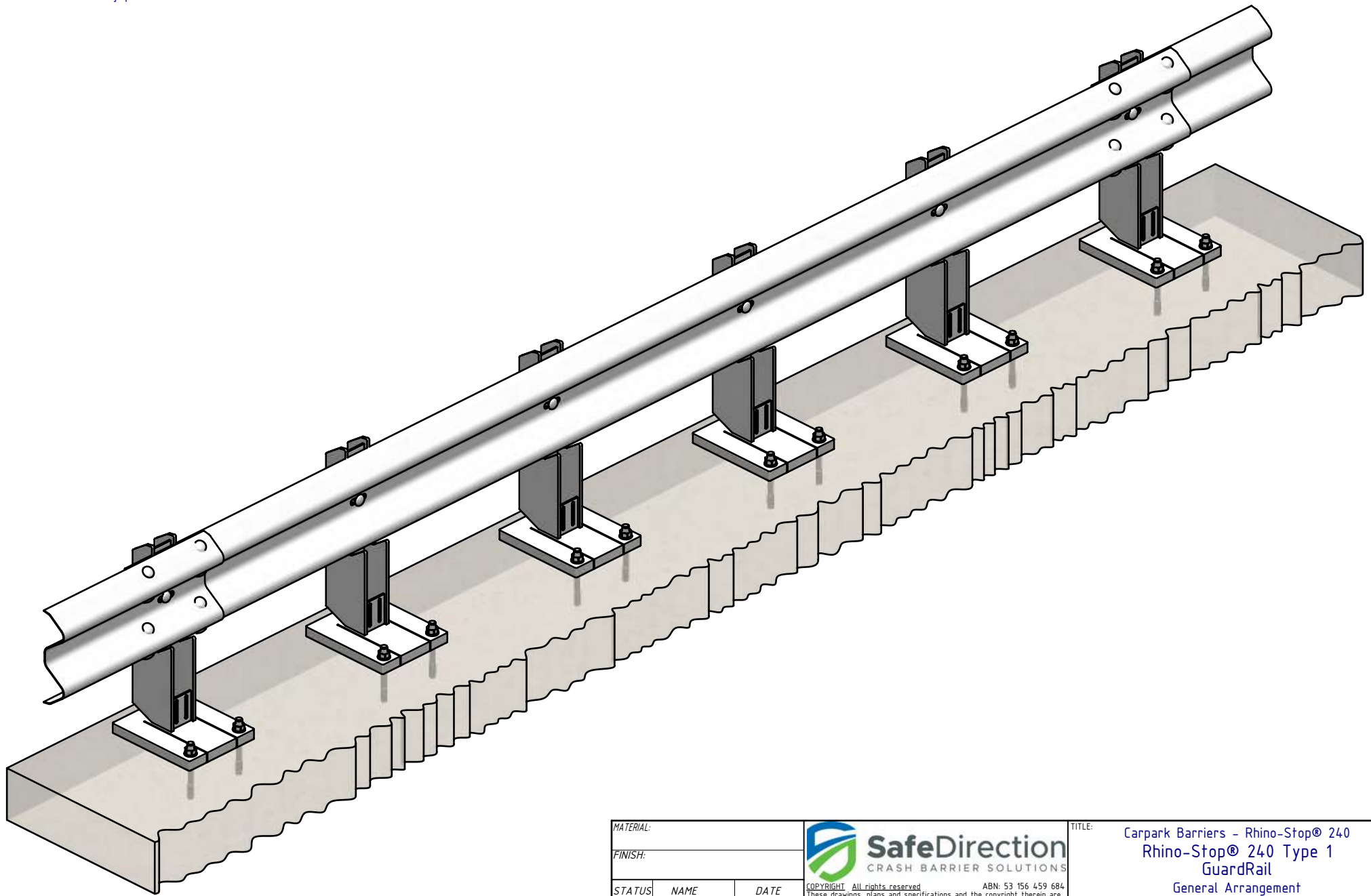



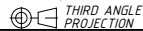
DETAIL C  
SCALE 1:10

MATERIAL:			 <b>SafeDirection</b> CRASH BARRIER SOLUTIONS		TITLE: Carpark Barriers - Rhino-Stop® 240 Rhino-Stop® 240 Type 1 GuardRail General Arrangement				
FINISH:					<small>COPYRIGHT All rights reserved ABN: 53 156 459 684 These drawings, plans and specifications and the copyright therein are the properties of Safe Direction Pty Ltd, and must not be used, reproduced or copied wholly or in part without written permission.</small>		DWG NO:	REVISION:	SHEET SIZE
STATUS	NAME	DATE	<small>U.N.O. TOLERANCES: ±1mm ALL DIMENSIONS ARE IN: mm</small>  <b>THIRD ANGLE PROJECTION</b>		SD-CP-05001		A	A4	
DRAWN	W. Rogulski	20/07/2022			WEIGHT: 791.5kg		DO NOT SCALE DRAWING	SCALE: 1:20	SHEET 2 of 3
CHK'D	T. Colquhoun	20/07/2022			STATUS: <b>APPROVED</b>				
APPV'D	H. Wallace	20/07/2022							

Rhino-Stop® 240 has been assessed to the 240kN impact load as described in AS/NZS 1170.1 clause 3.8 a) ii) for Light Traffic Areas, based on:

- Post spacing at Maximum 0.8 mtrs Centres
- Minimum 6 Post Assembly per Installation



MATERIAL:			 <b>SafeDirection</b> CRASH BARRIER SOLUTIONS	TITLE: Carpark Barriers - Rhino-Stop® 240 Rhino-Stop® 240 Type 1 GuardRail General Arrangement		
FINISH:				DWG NO. <b>SD-CP-05001</b> REVISION: <b>A</b> SHEET SIZE: <b>A4</b>		
STATUS	NAME	DATE	<small>COPYRIGHT All rights reserved ABN: 53 156 459 684          These drawings, plans and specifications and the copyright therein are the properties of Safe Direction Pty Ltd, and must not be used, reproduced or copied wholly or in part without written permission.          U.N.O. TOLERANCES: ±1mm          ALL DIMENSIONS ARE IN: mm</small>  <b>APPROVED</b>			
DRAWN	W. Rogulski	20/07/2022				
CHK'D	T. Colquhoun	20/07/2022				
APPV'D	H. Wallace	20/07/2022				
STATUS:			WEIGHT: <b>791.5kg</b>	DO NOT SCALE DRAWING	SCALE: <b>1:15</b>	SHEET <b>3</b> of <b>3</b>