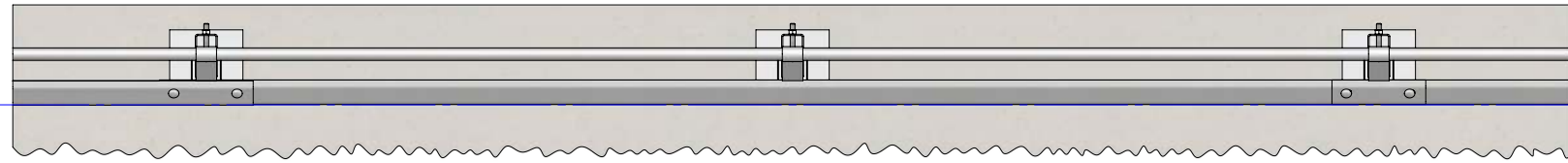


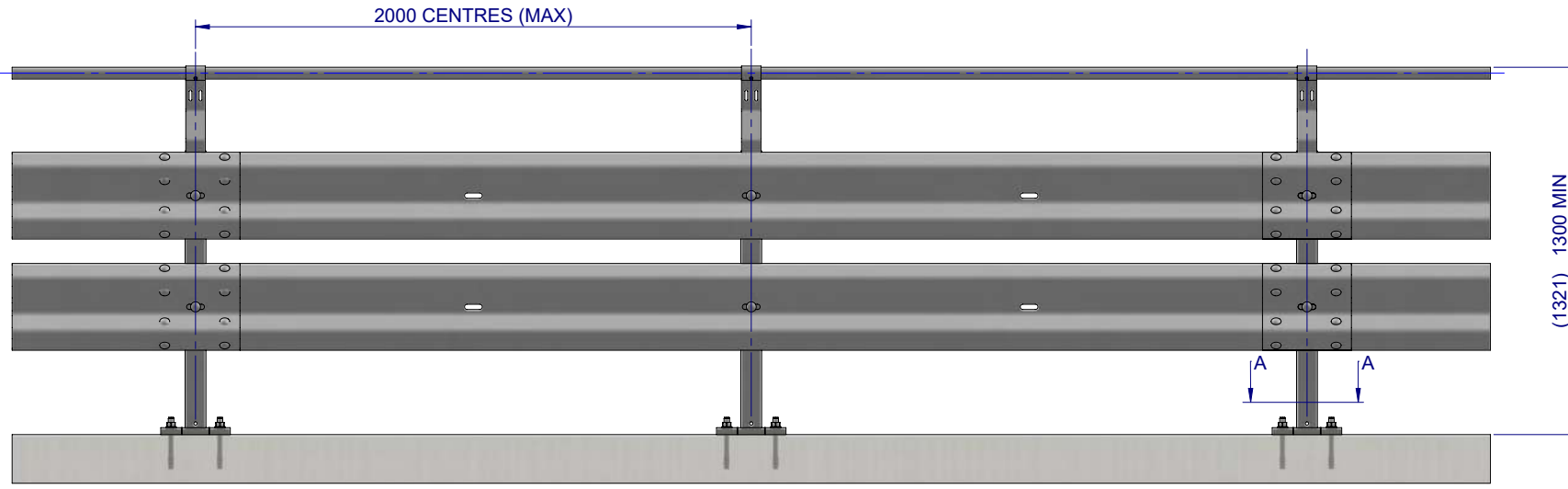
Rhino-Stop Truck Guard has been assessed to exceed the 40kN impact load as described in AS/NZS 1170.1 clause 3.8 b) for Medium Traffic Areas, based on:

- Post spacing at Maximum 2 mtrs Centres
- Minimum 5 Post Assembly per Installation

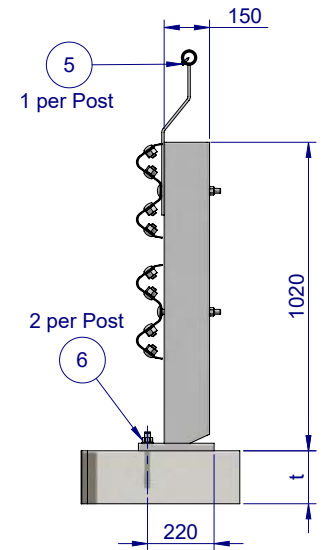
REVISIONS				
REV.	ZONE	DESCRIPTION	DATE	APP'VD
A		Original Issue, supersedes GR-WB-041	21/09/2022	HW



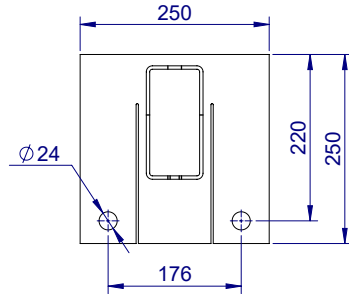
PLAN VIEW



FRONT ELEVATION



SIDE ELEVATION



SECTION A-A
BASE PLATE DETAIL
SCALE 1:10

Post Anchor Bolt Installation Details		
Slab Thickness (t)	≤ 170mm	> 170mm
Anchor Bolt Part #	GR-FS-20-0160-HG	GR-FS-20-0187-HG
Anchor Bolt Type	Fischer FBN II Mechanical	Fischer FBN II Mechanical
Min. Embedment Depth	100mm	130mm
Drill Type	Masonry Bit	Masonry Bit
Drill diameter	Ø20mm	Ø20mm
Drill Depth	105mm	135mm
Minimum Torque	200Nm	200Nm

BOM			
ITEM NO.	PART NUMBER	DESCRIPTION	Weight kg
1	GR-PB-RS-1050-AG	Rhino-Stop® Truck Guard Post	26.4
2	GR-WB-SR-4000-CG	W-Beam Guardrail 4.0M NLL, 1.0M CTRS	43.3
3	GR-MX-MX-0545-AG	RhinoStop Truck Guard Handrail Extension	2.5
4	HR-PI-32-6500-AG	Handrail / Sight Rail Pipe 32NB	4.4
5	GR-FS-14-0025-TG	14g x 25mm Hex Head Screw Self Tapping, 10 tpi, Class5, B8 Coating	
6	GR-FS-20-0187-HG	FISCHER FBN II, M20x187mm	0.5
7	GR-FS-16-0032-MG	M16x32 Mushroom Head SPLICE Bolt & Oversize Nut Assy CL8.8	0.2
8	GR-FS-16-0200-MG	M16x200 Mushroom Head POST Bolt & Nut Assy Class 4.6 HDG	0.4

MATERIAL:

FINISH:

STATUS: **APPROVED**

NAME: J. An

DATE: 21/09/2022

CHK'D: T. Colquhoun

DATE: 21/09/2022

APP'VD: H. Wallace

DATE: 21/09/2022

SafeDirection
CRASH BARRIER SOLUTIONS

ABN: 53 156 459 684

U.N.O. TOLERANCES: ±1mm
ALL DIMENSIONS ARE IN: mm

THIRD ANGLE PROJECTION

TITLE: Carpark Barriers - RhinoStop® Truck-Guard Rhino-Stop® Truck-Guard Type 2 GuardRail & Offside Balustrade General Arrangement

DWG NO.: SD-CP-03002

REVISION: A

SHEET SIZE: A4

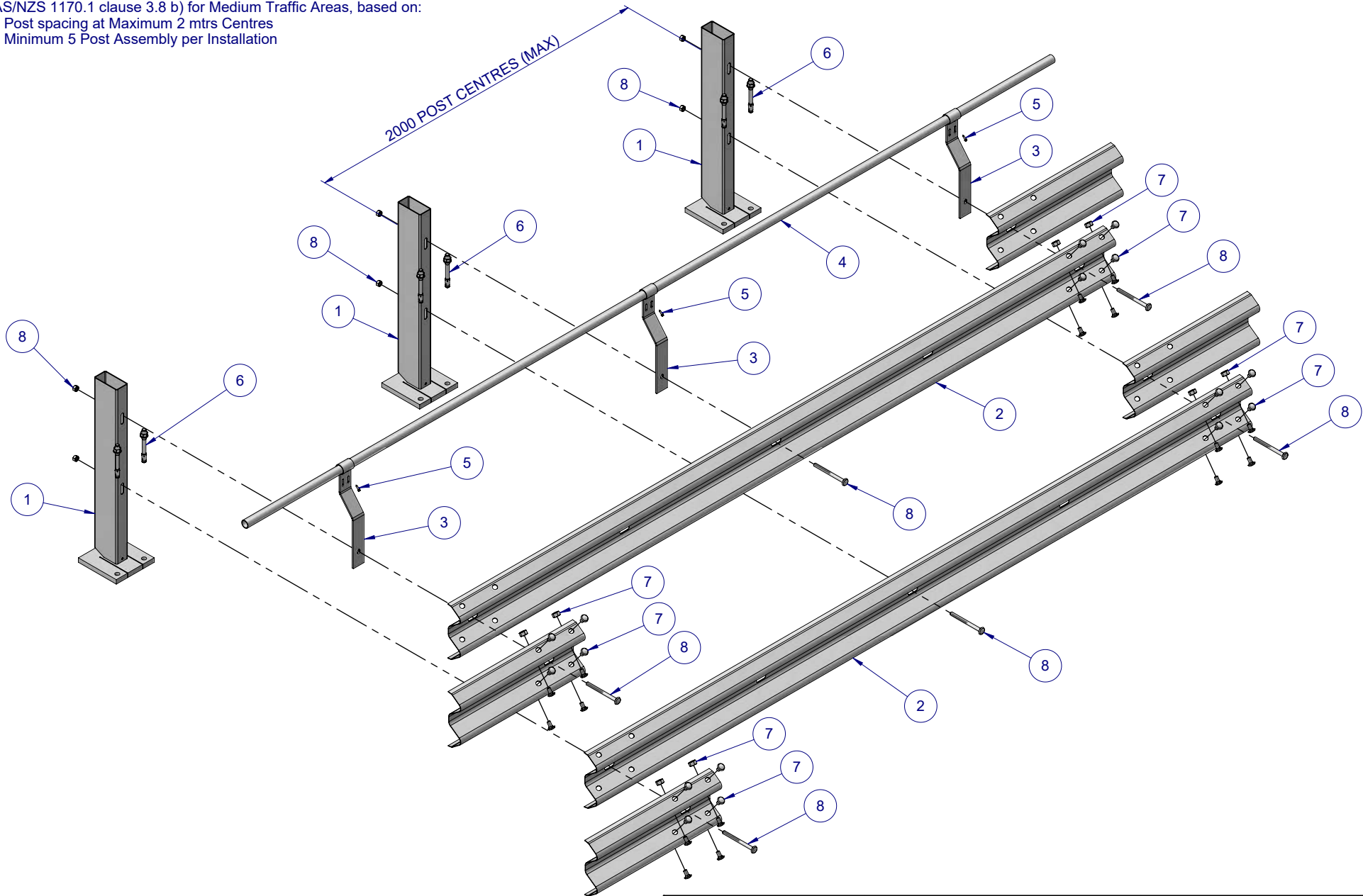
WEIGHT:

SCALE: 1:25

SHEET 1 of 3

Rhino-Stop Truck Guard has been assessed to exceed the 40kN impact load as described in AS/NZS 1170.1 clause 3.8 b) for Medium Traffic Areas, based on:

- Post spacing at Maximum 2 mtrs Centres
- Minimum 5 Post Assembly per Installation



MATERIAL:		
FINISH:		
STATUS	NAME	DATE
DRAWN	J. An	21/09/2022
CHK'D	T. Colquhoun	21/09/2022
APP'VD	H. Wallace	21/09/2022

SafeDirection
CRASH BARRIER SOLUTIONS

COPYRIGHT: All rights reserved. These drawings, plans and specifications and the copyright therein are the properties of Safe Direction Pty Ltd. and must not be used, reproduced or copied wholly or in part without written permission.

U.N.O. TOLERANCES: ± 1mm
ALL DIMENSIONS ARE IN: mm

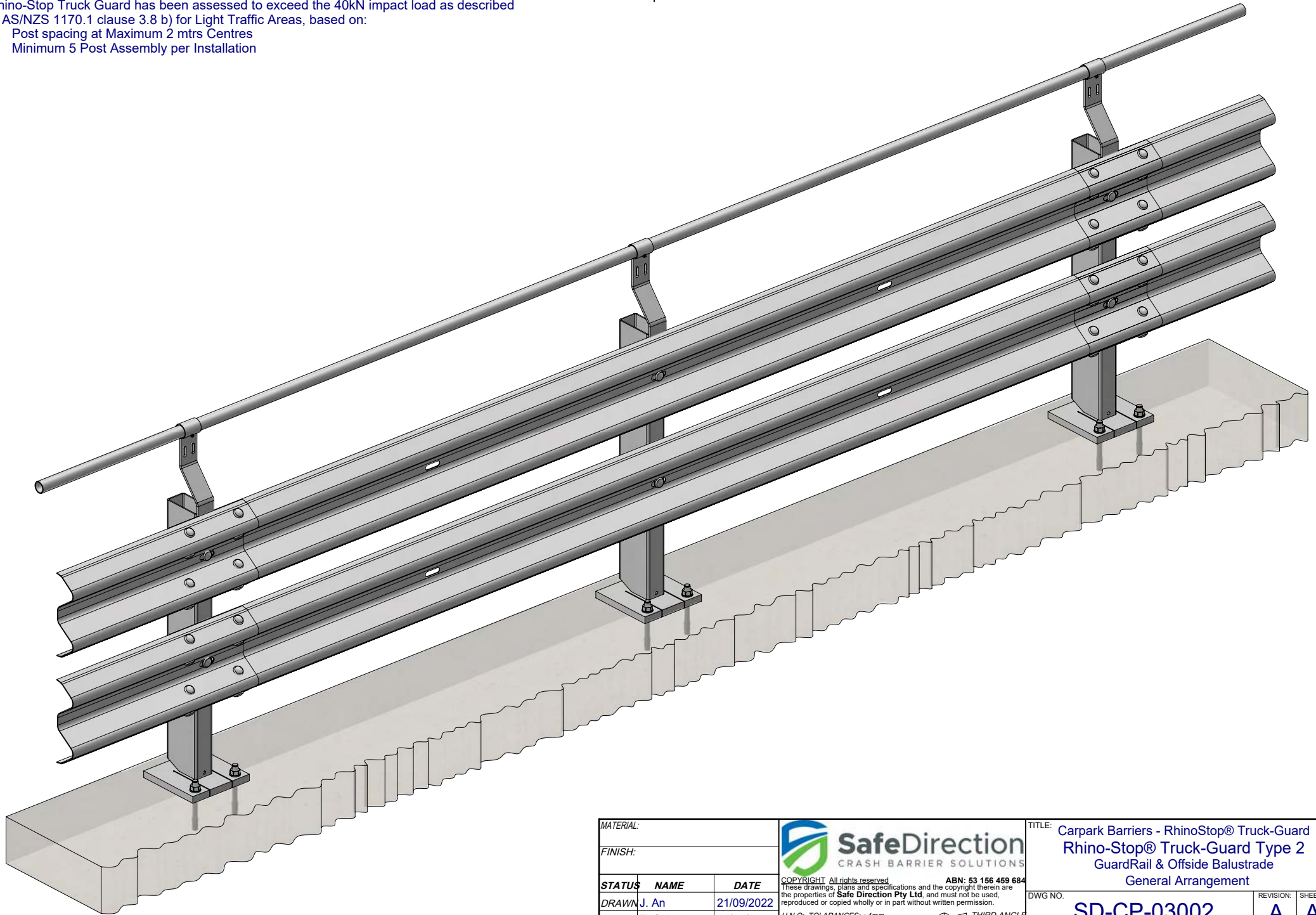
THIRD ANGLE PROJECTION


STATUS: APPROVED

TITLE: Carpark Barriers - RhinoStop® Truck-Guard Rhino-Stop® Truck-Guard Type 2 GuardRail & Offside Balustrade General Arrangement			
DWG NO.	REVISION:	SHEET SIZE	
SD-CP-03002	A	A4	
WEIGHT:	DO NOT SCALE DRAWING	SCALE: 1:25	SHEET 2 of 3

Rhino-Stop Truck Guard has been assessed to exceed the 40kN impact load as described in AS/NZS 1170.1 clause 3.8 b) for Light Traffic Areas, based on:

- Post spacing at Maximum 2 mtrs Centres
- Minimum 5 Post Assembly per Installation



MATERIAL:		 SafeDirection CRASH BARRIER SOLUTIONS	TITLE: Carpark Barriers - RhinoStop® Truck-Guard Rhino-Stop® Truck-Guard Type 2 GuardRail & Offside Balustrade General Arrangement		
FINISH:			DWG NO. SD-CP-03002	REVISION: A	SHEET SIZE: A4
STATUS	NAME	DATE	<small>COPYRIGHT: All rights reserved. These drawings, plans and specifications and the copyright therein are the properties of Safe Direction Pty Ltd. and must not be used, reproduced or copied wholly or in part without written permission.</small>		
DRAWN	J. An	21/09/2022	<small>U.N.O. TOLARANCES: ±1mm ALL DIMENSIONS ARE IN: mm</small>		
CHK'D	T. Colquhoun	21/09/2022	<small>THIRD ANGLE PROJECTION</small>		
APPV'D	H. Wallace	21/09/2022	STATUS: APPROVED		
WEIGHT:			DO NOT SCALE DRAWING	SCALE: 1:15 SHEET 3 of 3	