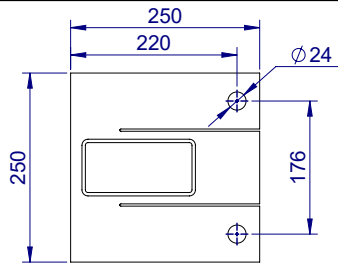
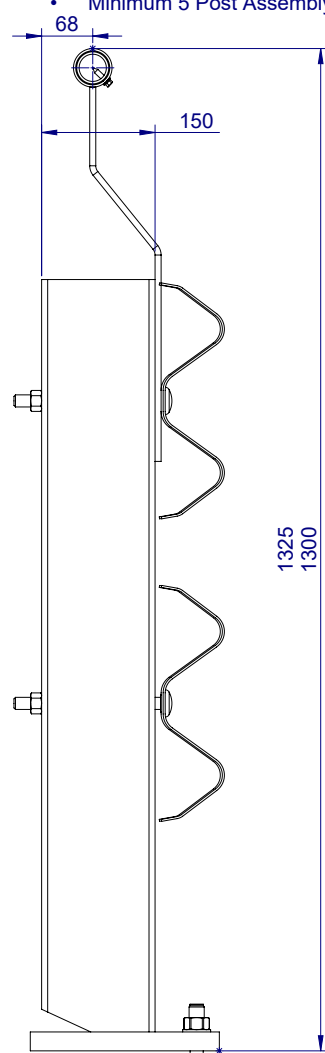


Rhino-Stop Truck Guard has been assessed to exceed the 40kN impact load as described in AS/NZS 1170.1 clause 3.8 b) for Medium Traffic Areas, based on:

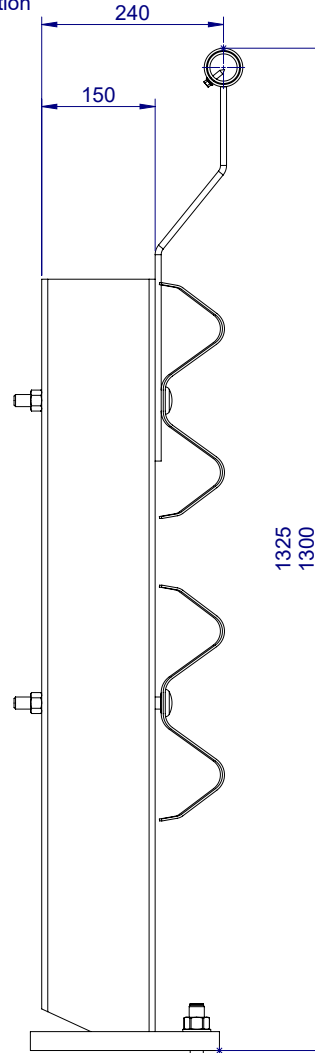
- Post spacing at Maximum 2 mtrs Centres
- Minimum 5 Post Assembly per Installation



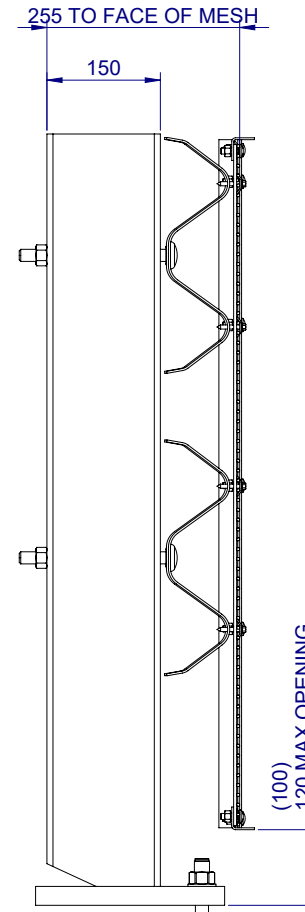
SECTION A-A
BASE PLATE DETAIL
TYPICAL
ANCHOR BOLT HIDDEN FOR CLARITY



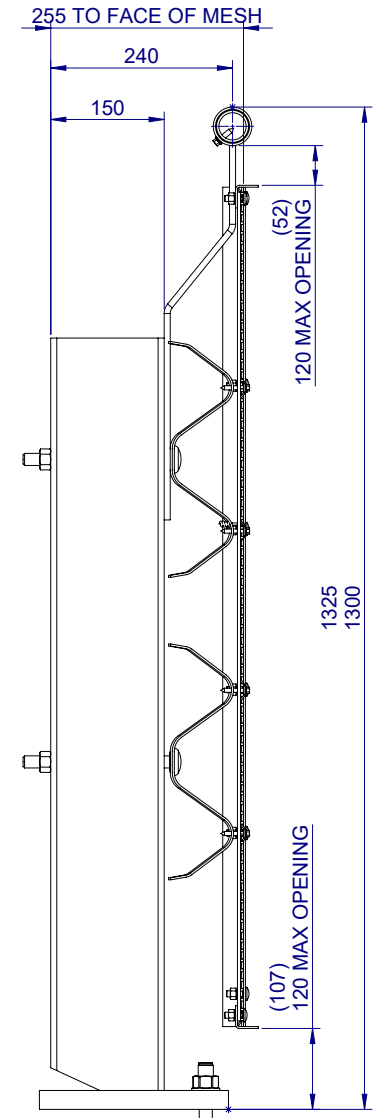
Rhino-Stop® Truck-Guard Type 2
GuardRail & Offside Balustrade



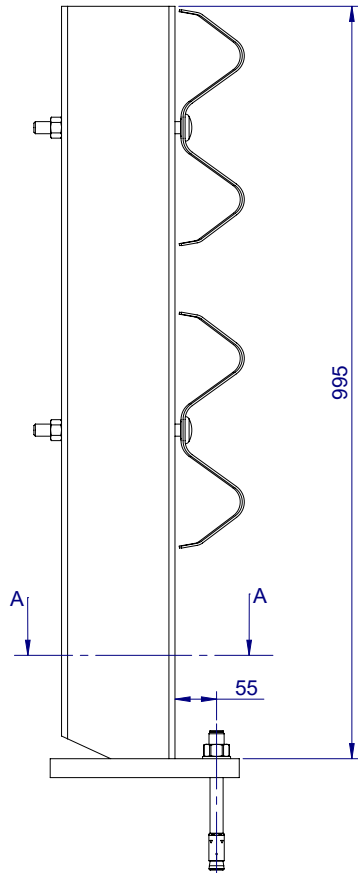
Rhino-Stop® Truck-Guard Type 3
GuardRail & Nearside Balustrade



Rhino-Stop® Truck-Guard Type 4
GuardRail & Anti-Climb Mesh



Rhino-Stop® Truck-Guard Type 5
GuardRail, Balustrade & Anti-Climb Mesh



Rhino-Stop® Truck-Guard Type 1
GuardRail

REVISIONS				
REV.	ZONE	DESCRIPTION	DATE	APPVD
A		Original Issue, supersedes GR-WB-043	21/09/2022	HW

MATERIAL:		
FINISH:		
STATUS	NAME	DATE
DRAWN	J. An	21/09/2022
CHK'D	T. Colquhoun	21/09/2022
APPVD	H. Wallace	21/09/2022

SafeDirection
CRASH BARRIER SOLUTIONS

COPYRIGHT All rights reserved. These drawings, plans and specifications and the copyright therein are the properties of Safe Direction Pty Ltd. and must not be used, reproduced or copied wholly or in part without written permission.

U.N.O. TOLARANCES: ±1mm ALL DIMENSIONS ARE IN: mm

THIRD ANGLE PROJECTION

STATUS: APPROVED

TITLE: Carpark Barriers - RhinoStop® Truck-Guard Rhino-Stop® Truck-Guard Type GuardRail General Arrangement			
DWG NO.	SD-CP-03000	REVISION:	SHEET SIZE
		A	A4
WEIGHT:	<small>DO NOT SCALE DRAWING</small>	SCALE: 1:10	SHEET 1 of 1