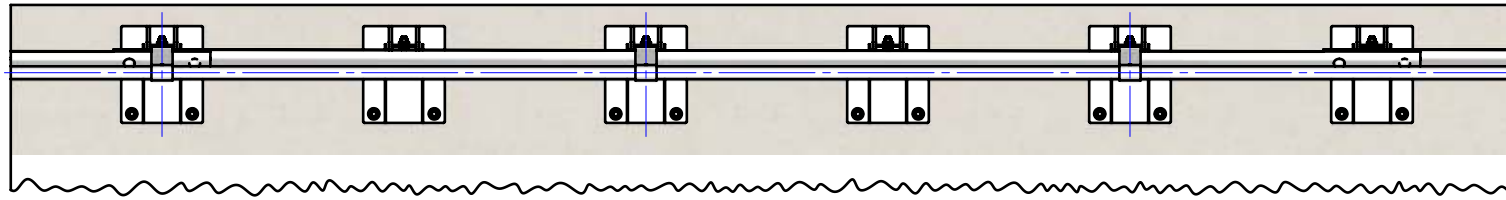


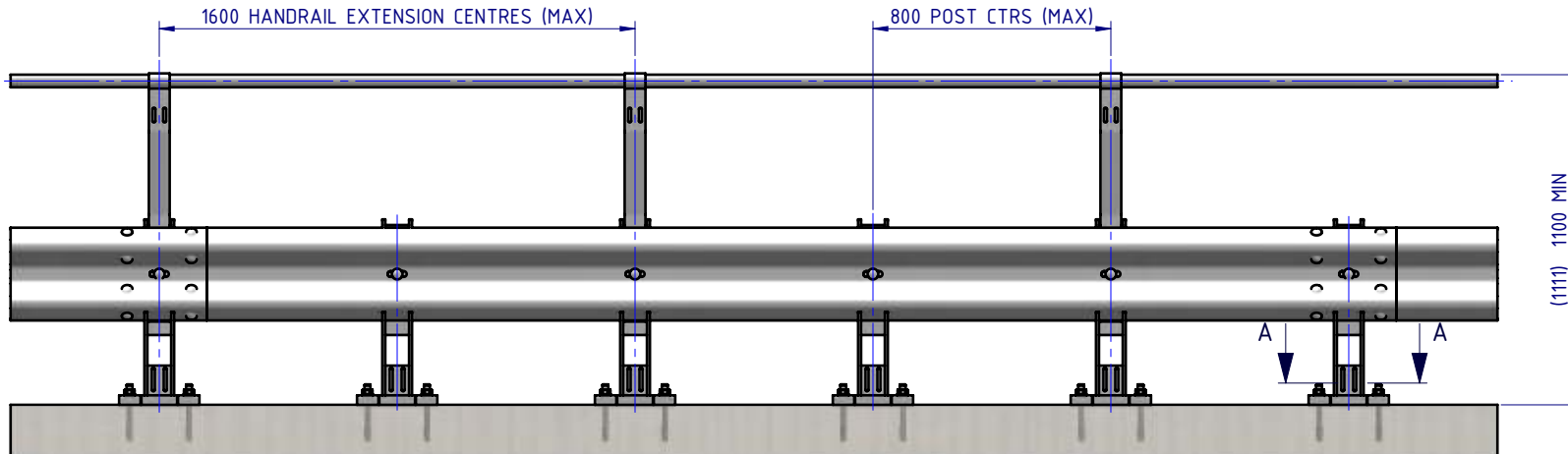
Rhino-Stop® 240 has been assessed to the 240kN impact load as described in AS/NZS 1170.1 clause 3.8 a) ii) for Light Traffic Areas, based on:

- Post spacing at Maximum 0.8 mtrs Centres
- Minimum 6 Post Assembly per Installation

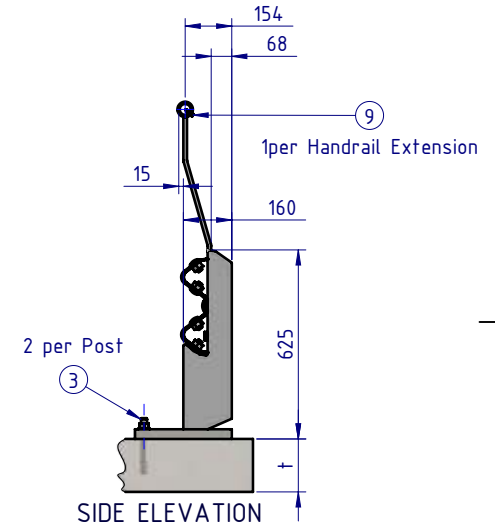
| REVISIONS |      |                                      |            |        |
|-----------|------|--------------------------------------|------------|--------|
| REV.      | ZONE | DESCRIPTION                          | DATE       | APPV'D |
| A         |      | Original Issue, supersedes GR-WB-172 | 20/07/2022 | HW     |



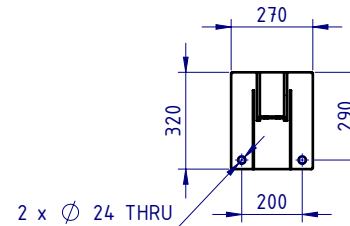
PLAN VIEW



FRONT ELEVATION



SIDE ELEVATION



SECTION A-A  
BASE PLATE  
DETAIL

| Post Anchor Bolt Installation Details |                           |                           |
|---------------------------------------|---------------------------|---------------------------|
| Slab Thickness (t)                    | ≤ 170mm                   | > 170mm                   |
| Anchor Bolt Part #                    | GR-FS-20-0160-HG          | GR-FS-20-0187-HG          |
| Anchor Bolt Type                      | Fischer FBN II Mechanical | Fischer FBN II Mechanical |
| Min. Embedment Depth                  | 100mm                     | 130mm                     |
| Drill Type                            | Masonry Bit               | Masonry Bit               |
| Drill diameter                        | Ø20mm                     | Ø20mm                     |
| Drill Depth                           | 105mm                     | 135mm                     |
| Minimum Torque                        | 200Nm                     | 200Nm                     |

| BOM      |                  |  |           |
|----------|------------------|--|-----------|
| ITEM NO. | PART NUMBER      | DESCRIPTION  | Weight kg |
| 1        | GR-PB-IS-0625-BG | Rhino-Stop® 240 Post   | 32.6      |
| 2        | GR-MX-MX-0800-AG | Handrail Extension Type 4  | 5.3       |
| 3        | GR-FS-20-0187-HG | FISCHER FBN II, M20x187mm  | 0.5       |
| 4        | GR-WB-SR-4000-GG | W-Beam Guardrail 4.0m NLL, 0.8m CTRS                               | 43.3      |
| 5        | HR-PI-32-6500-AG | Handrail / Sight Rail Pipe 32NB                                    | 20.1      |
| 6        | GR-FS-16-0045-HG | M16x45 Hex Head Bolt & Nut Assy                                    | 0.0       |
| 7        | GR-FS-16-0032-MG | M16x32 Mushroom Head SPLICE Bolt & Oversize Nut Assy CL8.8         | 0.2       |
| 8        | GR-FS-16-0050-MG | M16x50 Mushroom Head POST Bolt & Oversize Nut Assy Class 4.6       | 0.2       |
| 9        | GR-FS-14-0025-TG | 14g x 25mm Hex Head Screw Self Tapping, 10 tpi, Class5, B8 Coating |           |

|           |              |            |
|-----------|--------------|------------|
| MATERIAL: |              |            |
| FINISH:   |              |            |
| STATUS    | NAME         | DATE       |
| DRAWN     | W. Rogulski  | 20/07/2022 |
| CHK'D     | T. Colquhoun | 20/07/2022 |
| APPV'D    | H. Wallace   | 20/07/2022 |

**SafeDirection**  
CRASH BARRIER SOLUTIONS

COPYRIGHT All rights reserved. These drawings, plans and specifications and the copyright therein are the properties of Safe Direction Pty Ltd, and must not be used, reproduced or copied wholly or in part without written permission.

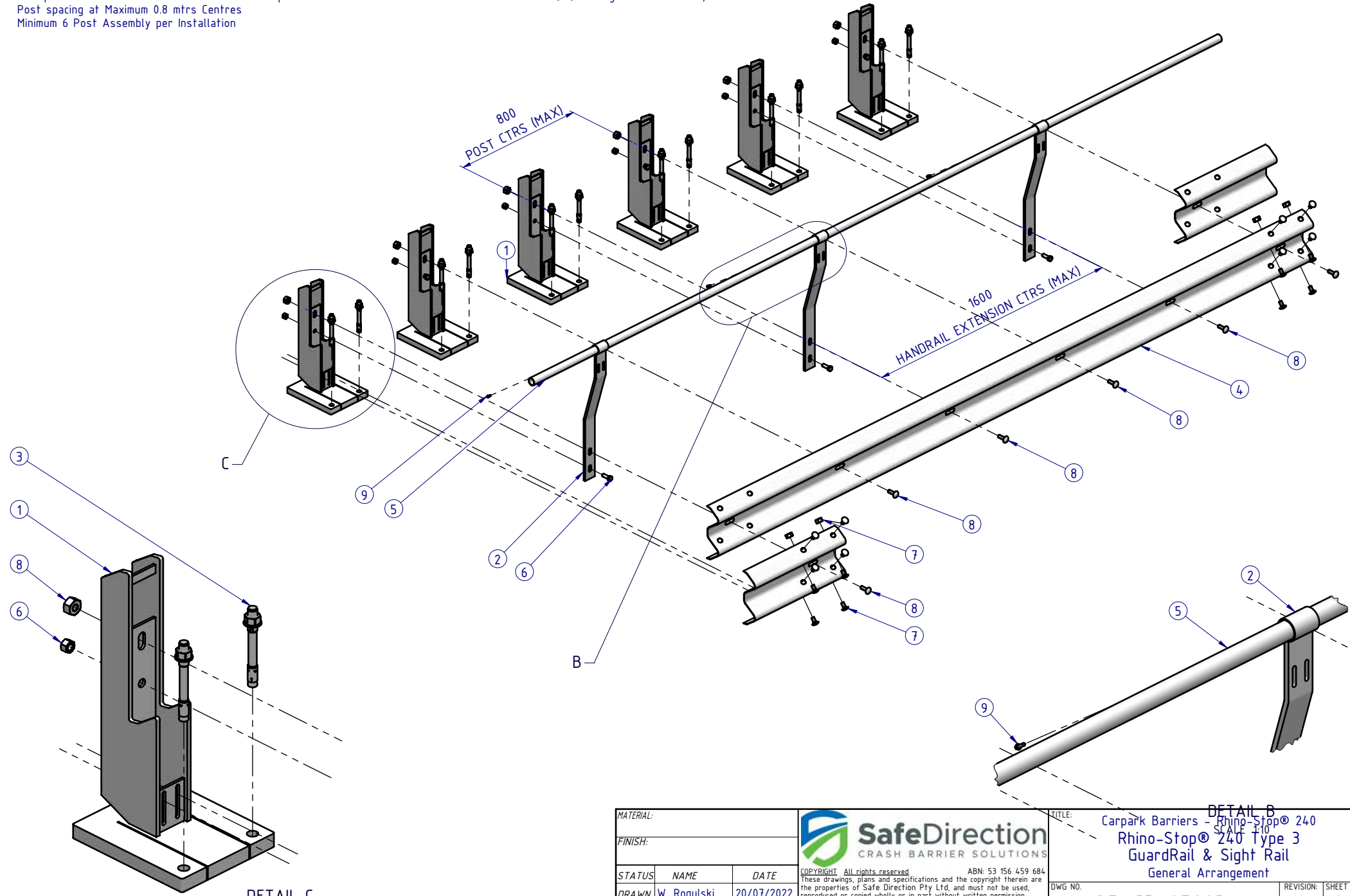
U.N.O. TOLERANCES: ±1mm ALL DIMENSIONS ARE IN: mm

**APPROVED**

|   |                      |                |              |
|---|----------------------|----------------|--------------|
| TITLE: Carpark Barriers - Rhino-Stop® 240 Rhino-Stop® 240 Type 3 GuardRail & Sight Rail General Arrangement |                      |                |              |
| DWG NO. SD-CP-05003   | REVISION: A          | SHEET SIZE: A4 |              |
| WEIGHT: 822.9kg   | DO NOT SCALE DRAWING | SCALE: 1:25    | SHEET 1 of 3 |


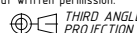
Rhino-Stop® 240 has been assessed to the 240kN impact load as described in AS/NZS 1170.1 clause 3.8 a) ii) for Light Traffic Areas, based on:

- Post spacing at Maximum 0.8 mtrs Centres
- Minimum 6 Post Assembly per Installation



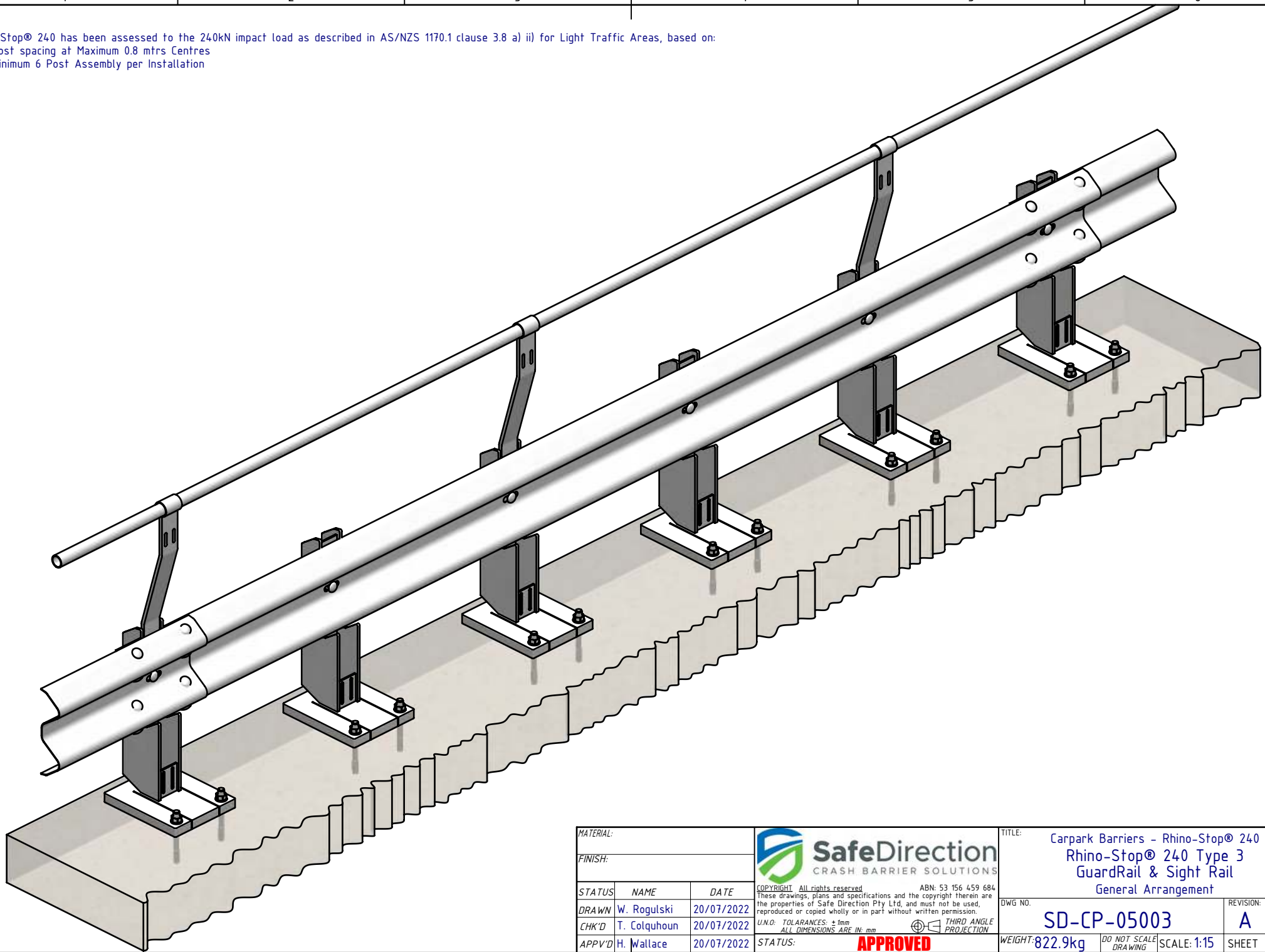
DETAIL C  
SCALE 1:10


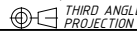
DETAIL B  
SCALE 1:10  
Carpark Barriers - Rhino-Stop® 240  
Rhino-Stop® 240 Type 3  
GuardRail & Sight Rail  
General Arrangement

|           |              |            |  |   |                     |                      |                |              |
|-----------|--------------|------------|--|---|---------------------|----------------------|----------------|--------------|
| MATERIAL: |              |            | <br><b>SafeDirection</b><br>CRASH BARRIER SOLUTIONS | TITLE: Carpark Barriers - Rhino-Stop® 240<br>Rhino-Stop® 240 Type 3<br>GuardRail & Sight Rail<br>General Arrangement  |                     |                      |                |              |
| FINISH:   |              |            |  | <small>COPYRIGHT All rights reserved. ABN: 53 156 459 684<br/>These drawings, plans and specifications and the copyright therein are the properties of Safe Direction Pty Ltd, and must not be used, reproduced or copied wholly or in part without written permission.</small> | DWG NO. SD-CP-05003 | REVISION: A          | SHEET SIZE: A4 |              |
| STATUS    | NAME         | DATE       | <small>U.N.O. TOLERANCES: ±1mm<br/>ALL DIMENSIONS ARE IN: mm</small>   | <br>THIRD ANGLE<br>PROJECTION  | WEIGHT: 822.9kg     | DO NOT SCALE DRAWING | SCALE: 1:25    | SHEET 2 of 3 |
| DRAWN     | W. Rogulski  | 20/07/2022 | STATUS: <b>APPROVED</b>  |   |                     |                      |                |              |
| CHK'D     | T. Colquhoun | 20/07/2022 |  |   |                     |                      |                |              |
| APPV'D    | H. Wallace   | 20/07/2022 |  |   |                     |                      |                |              |

Rhino-Stop® 240 has been assessed to the 240kN impact load as described in AS/NZS 1170.1 clause 3.8 a) ii) for Light Traffic Areas, based on:

- Post spacing at Maximum 0.8 mtrs Centres
- Minimum 6 Post Assembly per Installation



|                         |              |            |   |  |             |              |
|-------------------------|--------------|------------|---|--|-------------|--------------|
| MATERIAL:               |              |            | <br><b>SafeDirection</b><br>CRASH BARRIER SOLUTIONS  | TITLE: Carpark Barriers - Rhino-Stop® 240<br>Rhino-Stop® 240 Type 3<br>GuardRail & Sight Rail<br>General Arrangement |             |              |
| FINISH:                 |              |            |   | DWG NO. <b>SD-CP-05003</b> REVISION: <b>A</b> SHEET SIZE: <b>A4</b>  |             |              |
| STATUS                  | NAME         | DATE       | <small>COPYRIGHT All rights reserved. ABN: 53 156 459 684</small><br><small>These drawings, plans and specifications and the copyright therein are the properties of Safe Direction Pty Ltd, and must not be used, reproduced or copied wholly or in part without written permission.</small><br><small>U.N.O. TOLERANCES: ±1mm ALL DIMENSIONS ARE IN: mm</small>  |  |             |              |
| DRAWN                   | W. Rogulski  | 20/07/2022 |   |  |             |              |
| CHK'D                   | T. Colquhoun | 20/07/2022 |   |  |             |              |
| APPV'D                  | H. Wallace   | 20/07/2022 |   |  |             |              |
| STATUS: <b>APPROVED</b> |              |            | WEIGHT: 822.9kg   | DO NOT SCALE DRAWING   | SCALE: 1:15 | SHEET 3 of 3 |