

# Product Data Sheet

## RhinoStop® TruckGuard



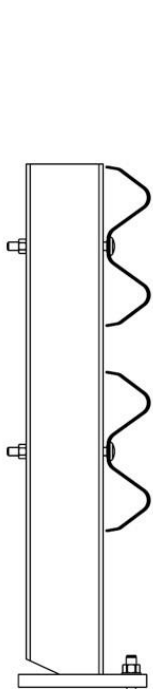
Last Updated: October 2023

Containment Classification	Type G as per AS/NZS 1170.1, Clause 3.8
Containment Requirement	40kN, acting 1.0m above floor level
Demonstrated Containment	2500 kg light truck, travelling at 20 km/h, impacting at 90°
Standard Post Spacing	2.0 m centres
Minimum Number of Posts	5 off
Lower W-Beam Height	600 mm
Upper W-Beam Height	1000 mm
System Width	235 mm
System Finish	All steel construction
Anchors per Post	2 off M20
Minimum Slab Thickness	150 mm

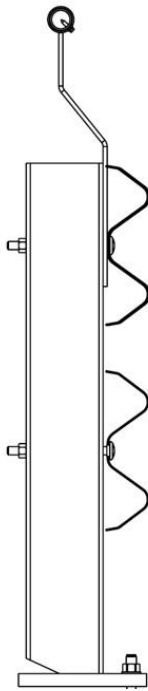


# Product Data Sheet

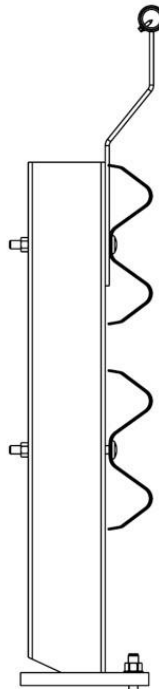
## RhinoStop® TruckGuard



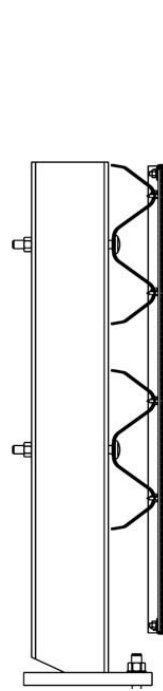
**Type 1**  
1000mm



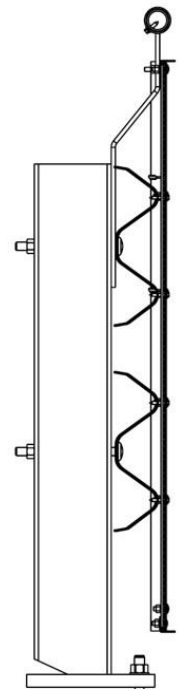
**Type 2**  
1300mm



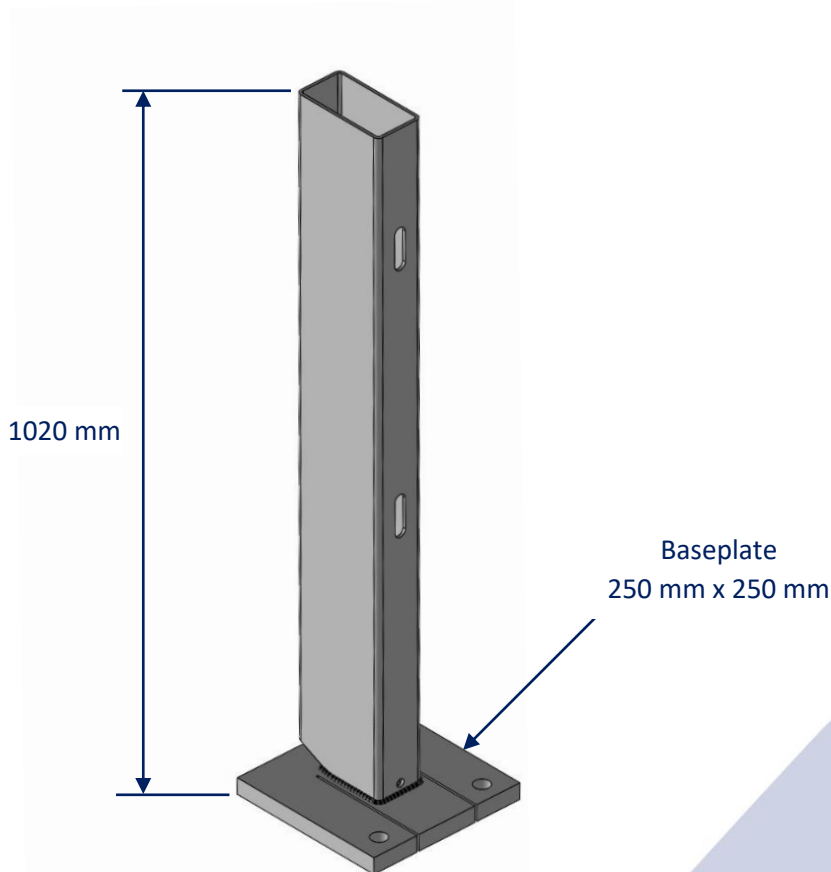
**Type 3**  
1300mm



**Type 4**  
1000mm



**Type 5**  
1300mm



**RhinoStop® TruckGuard Post**