

Product Data Sheet

RhinoStop® Sky-Edge

Last Updated: October 2023

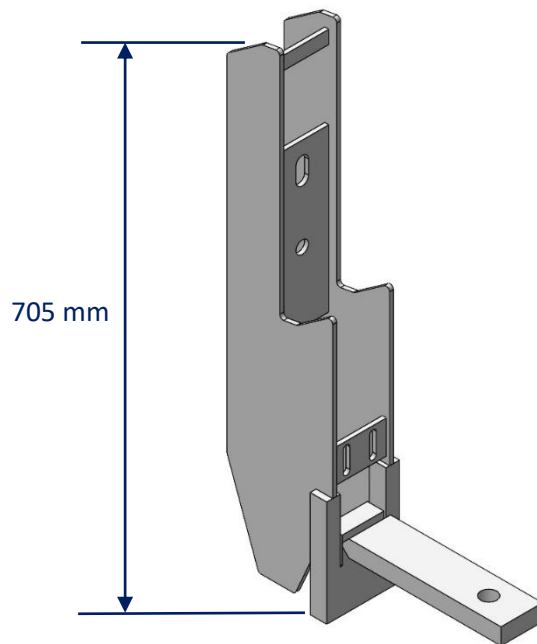
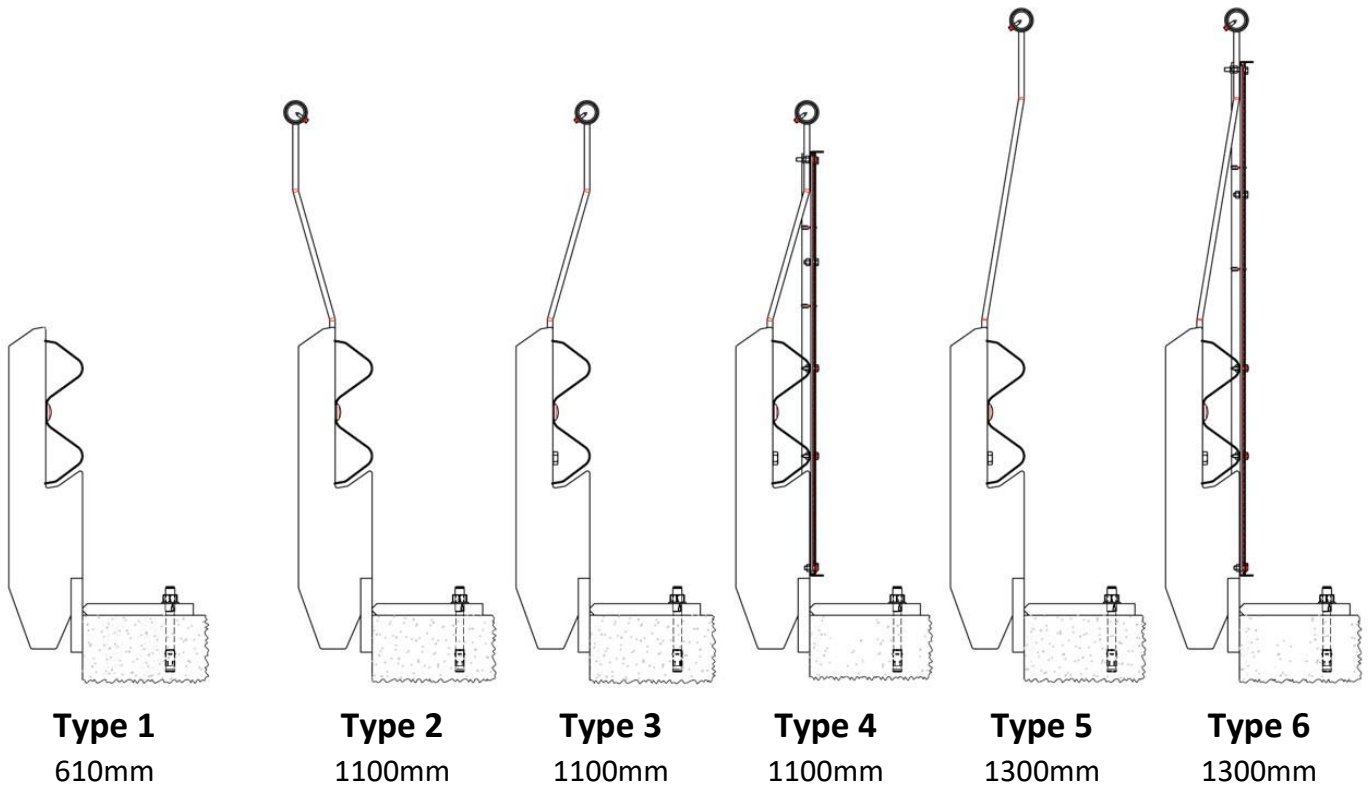


Containment Classification	Type F as per AS/NZS 1170.1, Clause 3.8
Containment Requirement	30kN, acting 0.5m above floor level
Demonstrated Containment	1500 kg passenger car, travelling at 15 km/h, impacting at 90°
Standard Post Spacing	2.0 m centres
Minimum Number of Posts	3 off
System Height	610 mm to 1300 mm
System Finish	All steel construction
Anchors per Post	1 off M20
Minimum Slab Thickness	150 mm
Installation Variants	Posts supporting w-beam
	Posts supporting w-beam with 1100mm handrail
	Posts supporting w-beam with 1100mm handrail & mesh infill
	Posts supporting w-beam with 1300mm sight rail
	Posts supporting w-beam with 1300mm sight rail & mesh infill



Product Data Sheet

RhinoStop® Sky-Edge



RhinoStop® Sky-Edge Post