

Product Data Sheet

RhinoStop® 240

Last Updated: October 2023

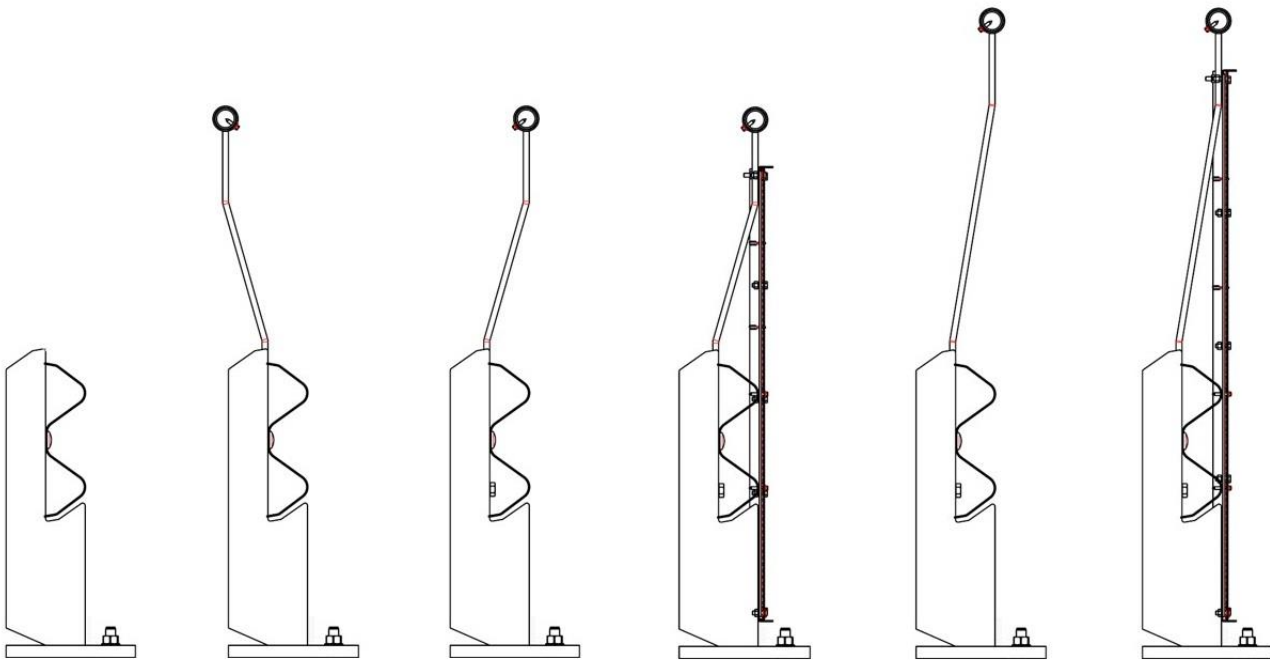


Containment Classification	Type F End of Ramp as per AS/NZS 1170.1, Clause 3.8
Containment Requirement	240kN, acting 0.5m above floor level
Demonstrated Containment	2000 kg passenger car, travelling at 29 km/h, impacting at 90°
Standard Post Spacing	800 mm centres
Minimum Number of Posts	6 off
System Height	600 mm to 1300 mm
System Width	160 mm
System Finish	All steel construction
Anchors per Post	2 off M20
Minimum Slab Thickness	150 mm
Installation Variants	Posts supporting w-beam
	Posts supporting w-beam with 1100mm handrail
	Posts supporting w-beam with 1100mm handrail & mesh infill
	Posts supporting w-beam with 1300mm sight rail
	Posts supporting w-beam with 1300mm sight rail & mesh infill



Product Data Sheet

RhinoStop® 240



Type 1
610mm

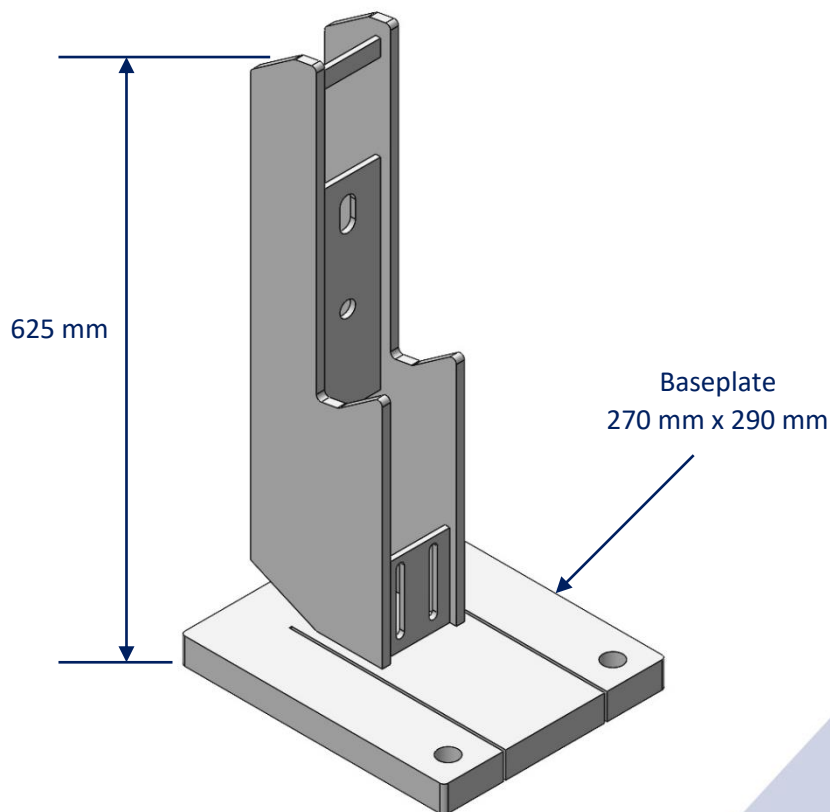
Type 2
1100mm

Type 3
1100mm

Type 4
1100mm

Type 5
1300mm

Type 6
1300mm



RhinoStop® 240 Post